

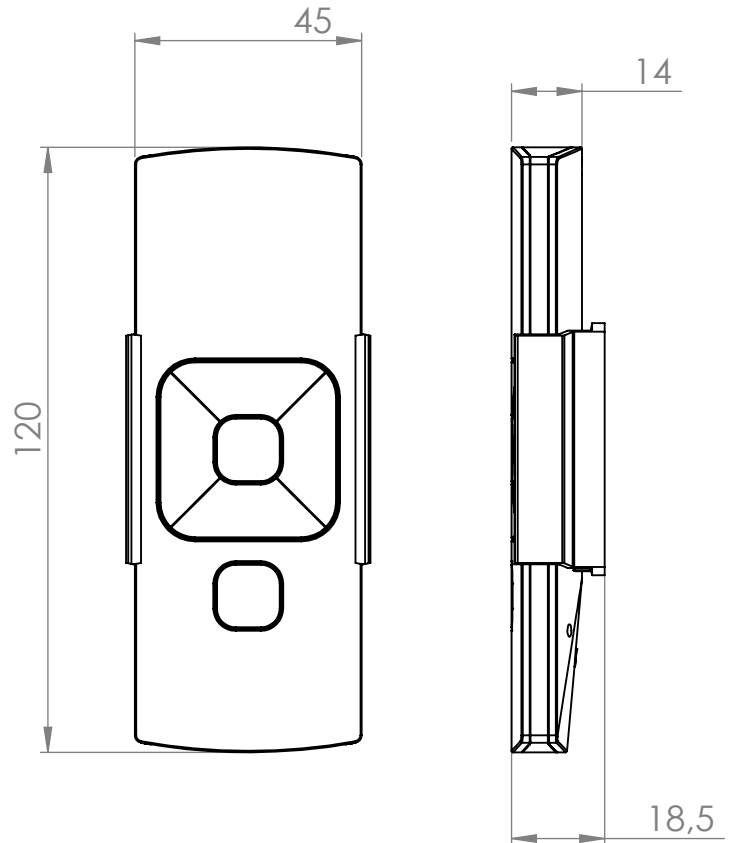
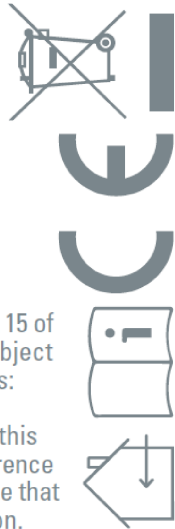
Color	Wall mount	Program blinds	Single select	channel select	Power supply
Black	Yes	Yes	Yes	Yes	CR2430 3.0 V

label:

Coulisse B.V.
 Vonderweg 48
 7468 DC Enter
 The Netherlands

Model: CM-12
 Battery: CR2430 3.0V
 FCC ID: ZY4CM12

This device complies with Part 15 of the FCC Rules. Operation is subject to the following two conditions:
 (1) this device may not cause harmful interference, and (2) this device must accept any interference received, including interference that may cause undesired operation.

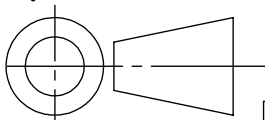


Certificates	
CE standard	EN 301 489-1 ; EN 301 489-3 ; EN 300 220-2 ; EN 62479 ; EN 60950 ;
FCC standard	FCC Part 15 Subpart C ; ANSI C63.10
Battery standard	UN38.3

Article Nr.: CM-12

Description: 5 Channel Hand remote

Projection



SCALE:1:1.5

coulisse

Material:
 Material <not specified>

Weight (approximately):
 15.44 gramms

CUSTOMER DRAWING - NOT FOR PRODUCTION

Revision
 6 A4

Drawing Nr. 00041904