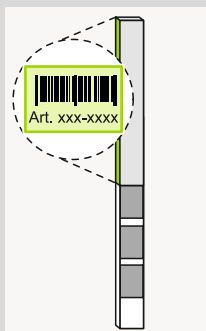
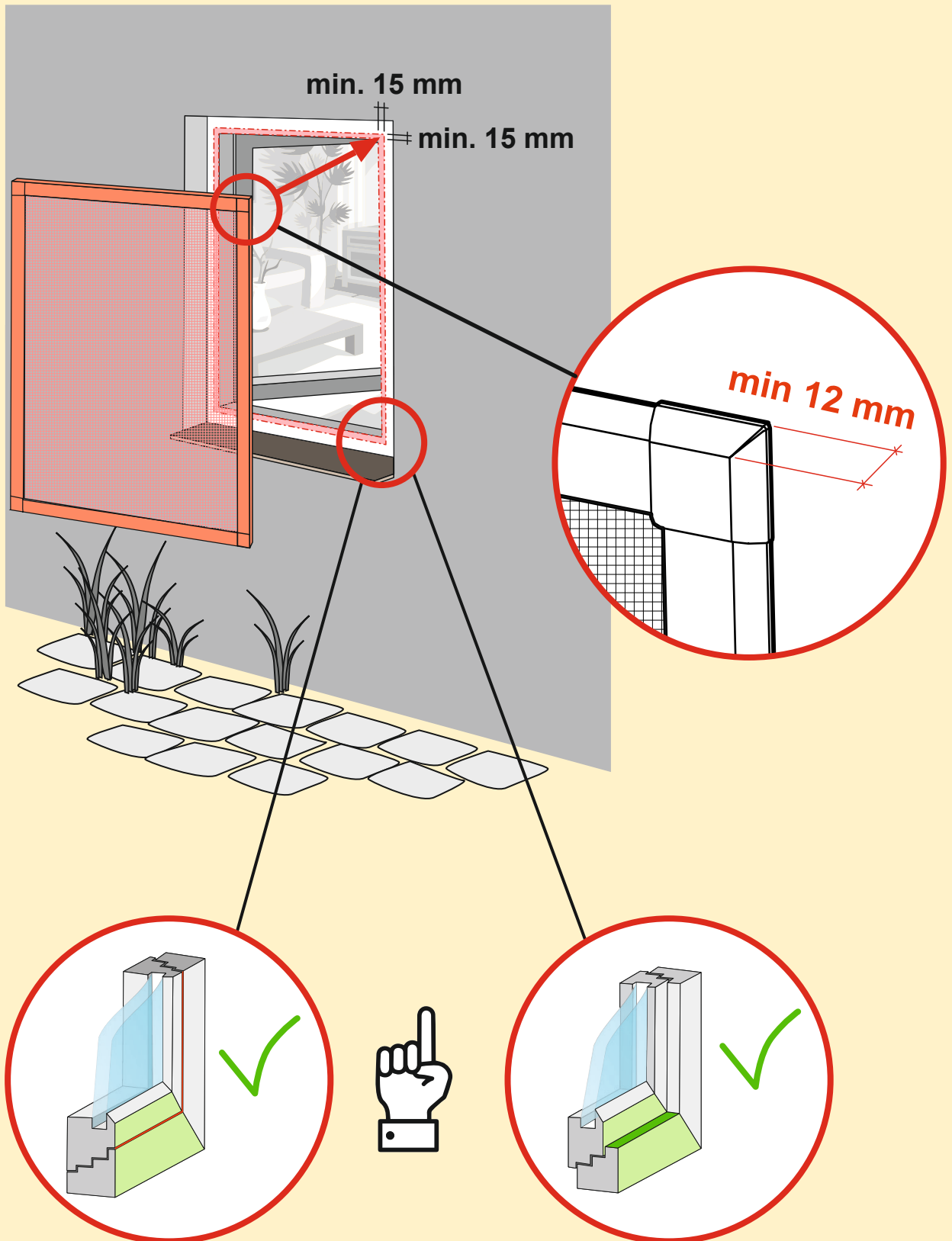
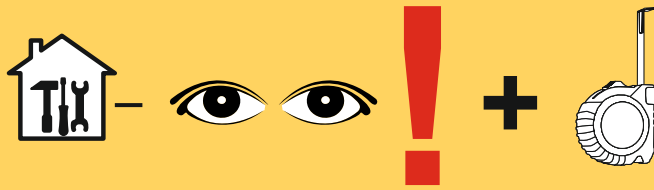


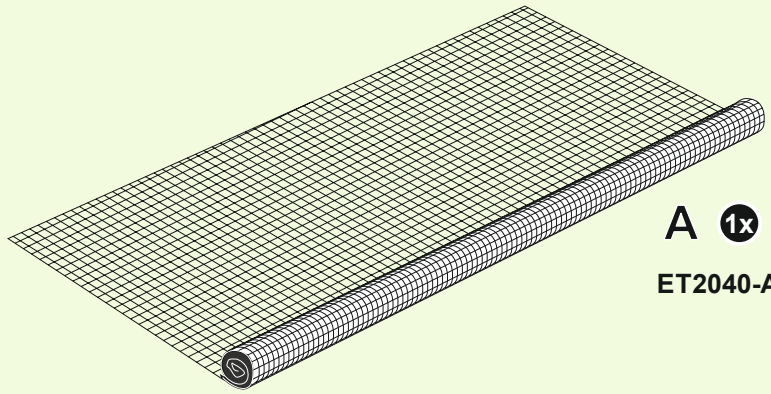
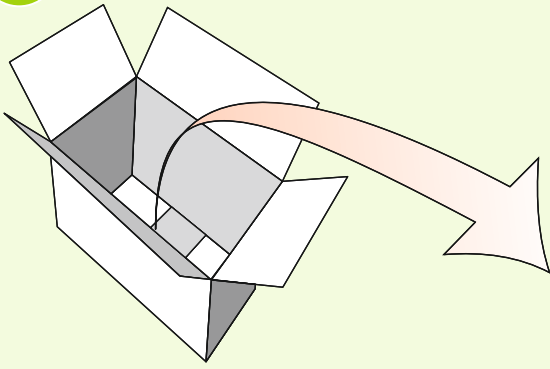
1x



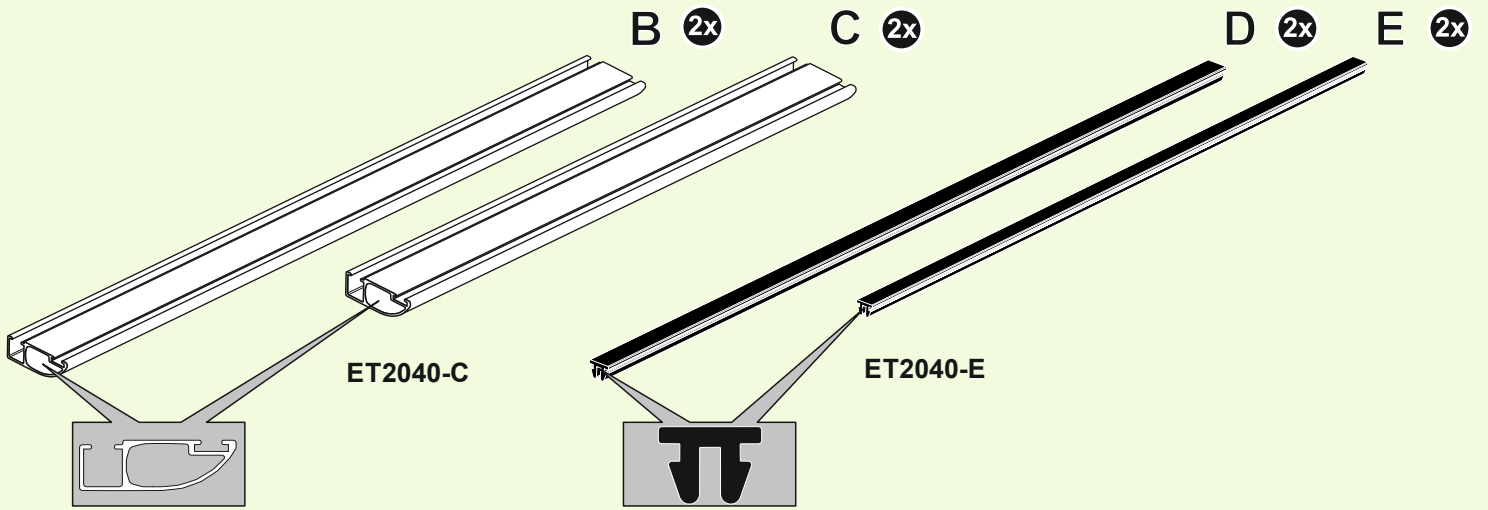
min. 1.0 h







A 1x
ET2040-A

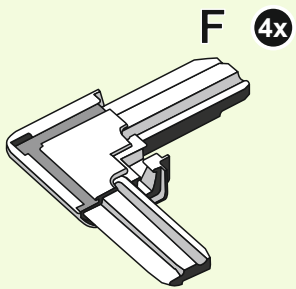


ET2040-B

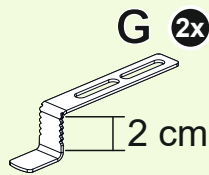
ET2040-C

ET2040-D

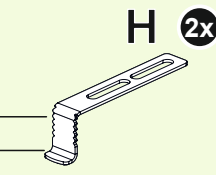
ET2040-E



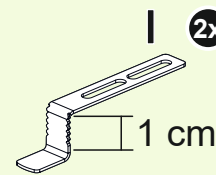
ET2040-F



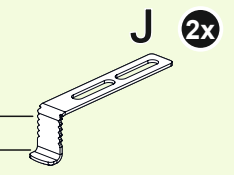
ET2040-G



ET2040-H



ET2040-I



ET2040-J



ET2040-K

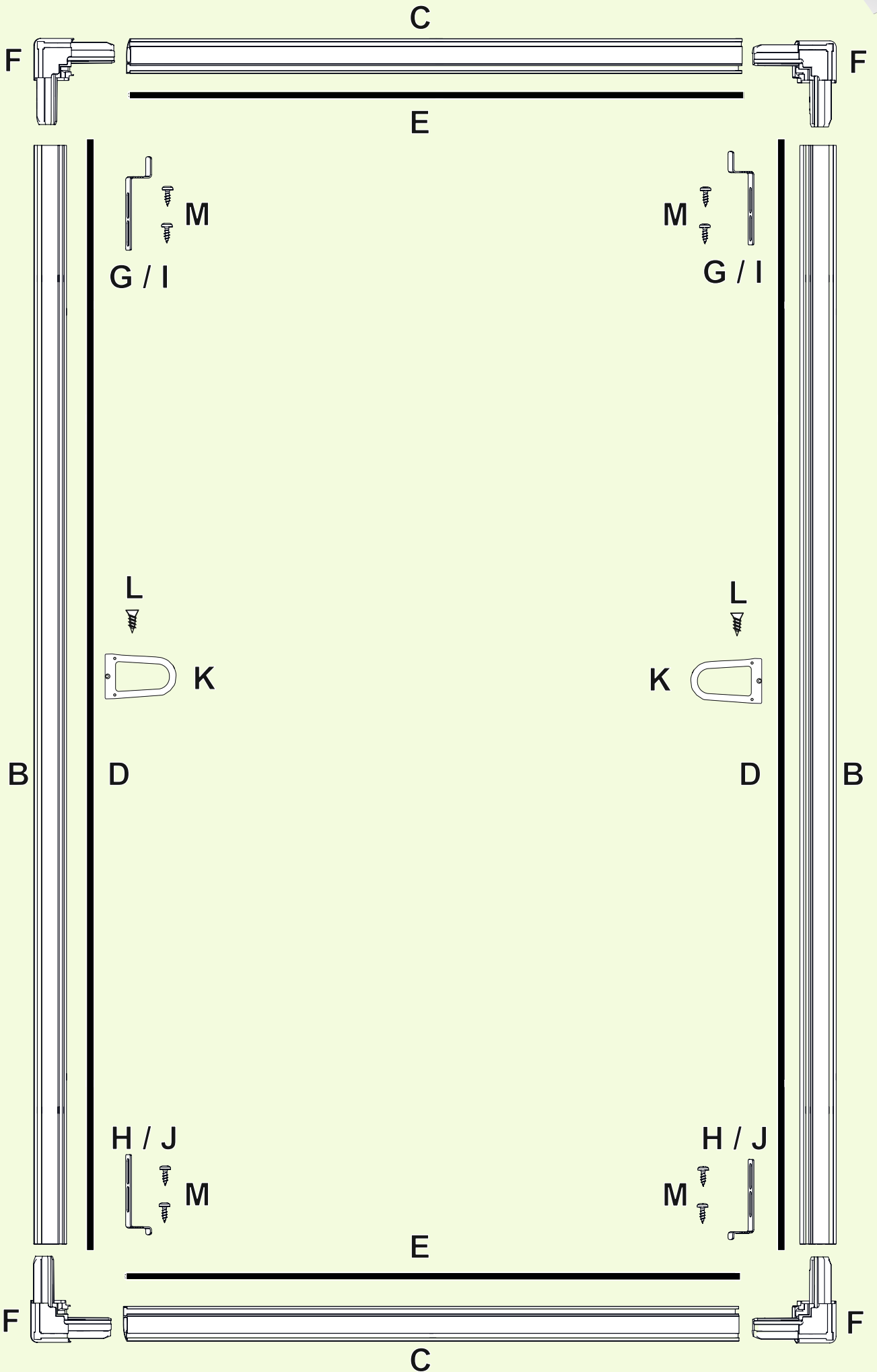


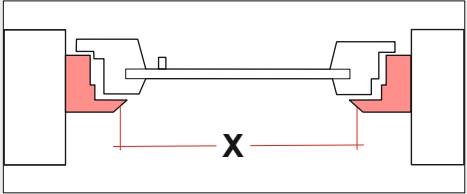
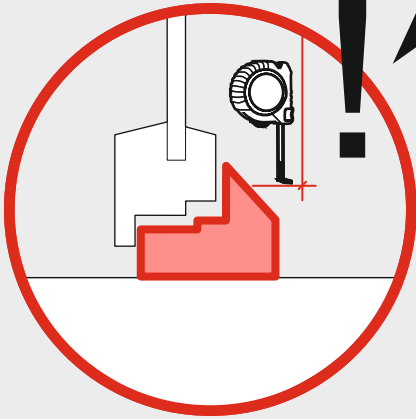
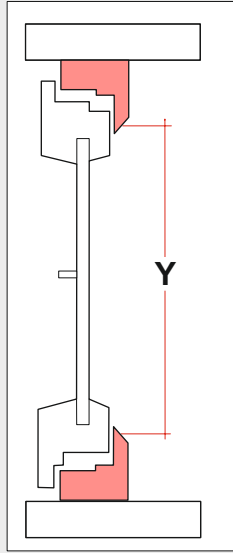
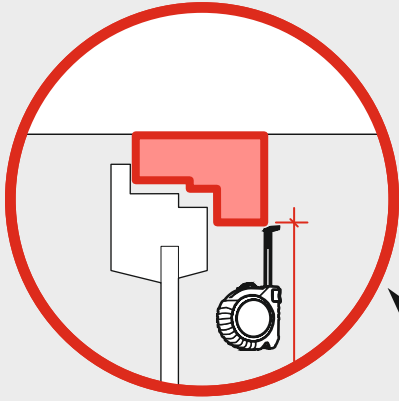
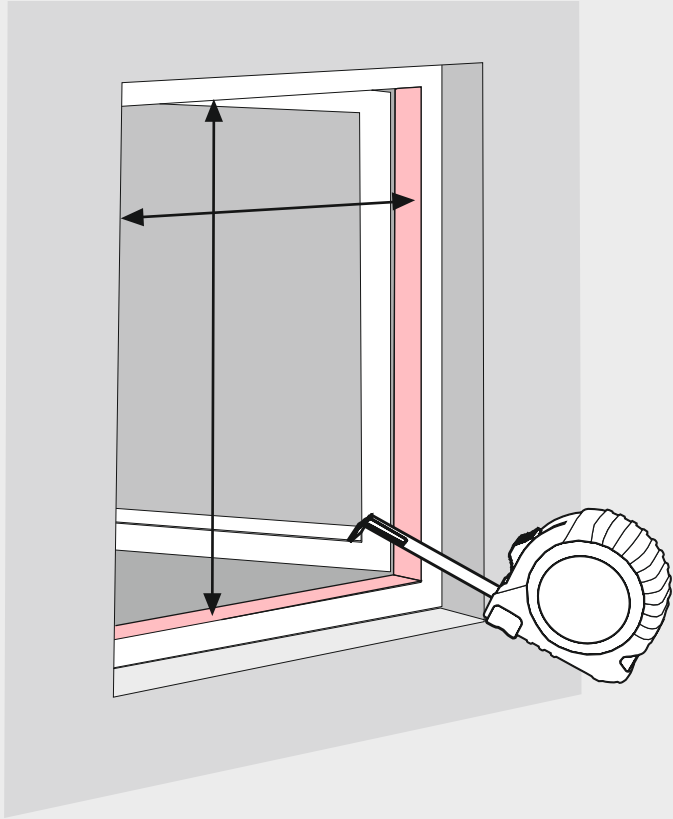
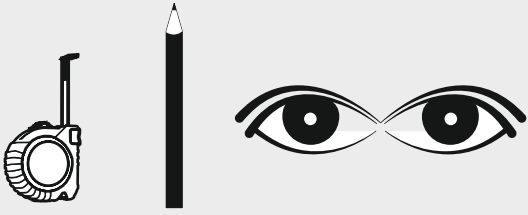
ET2040-L



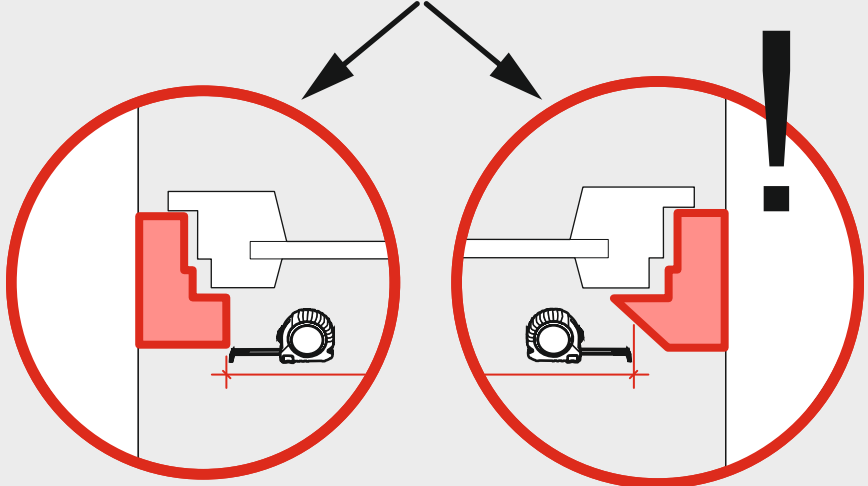
ET2040-M

i



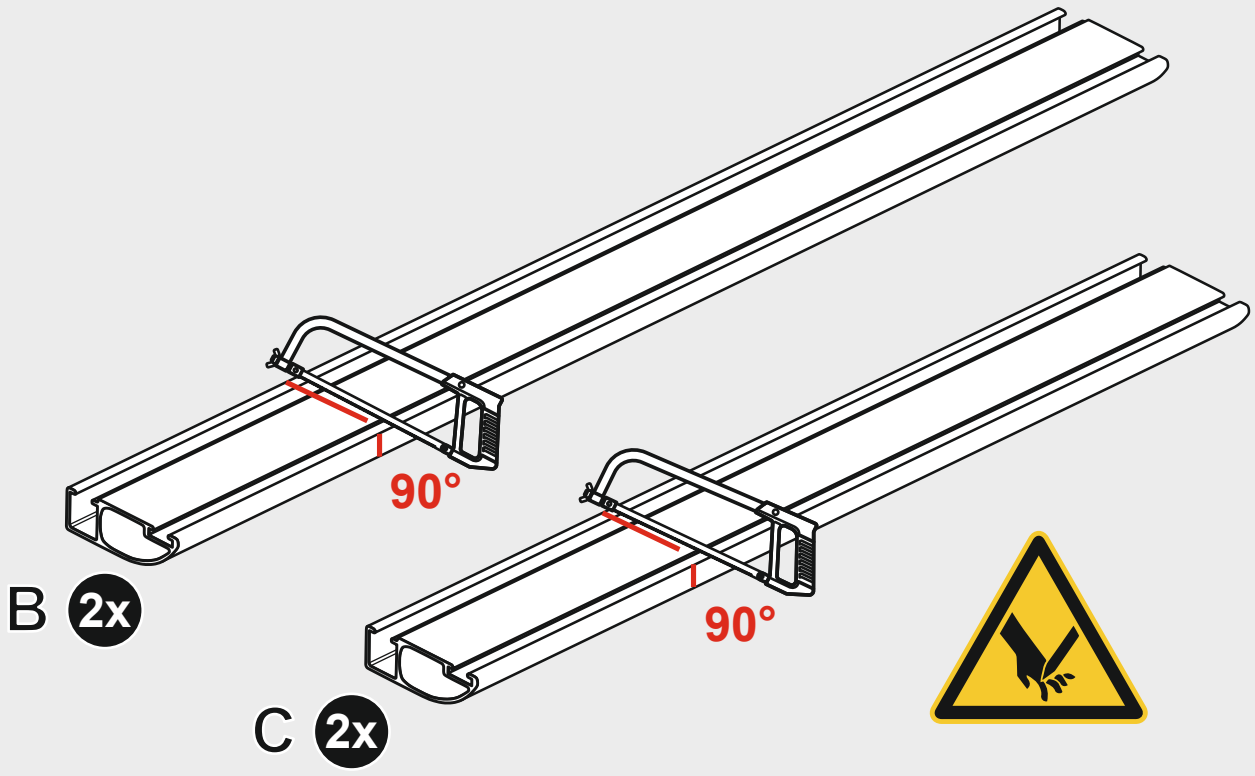
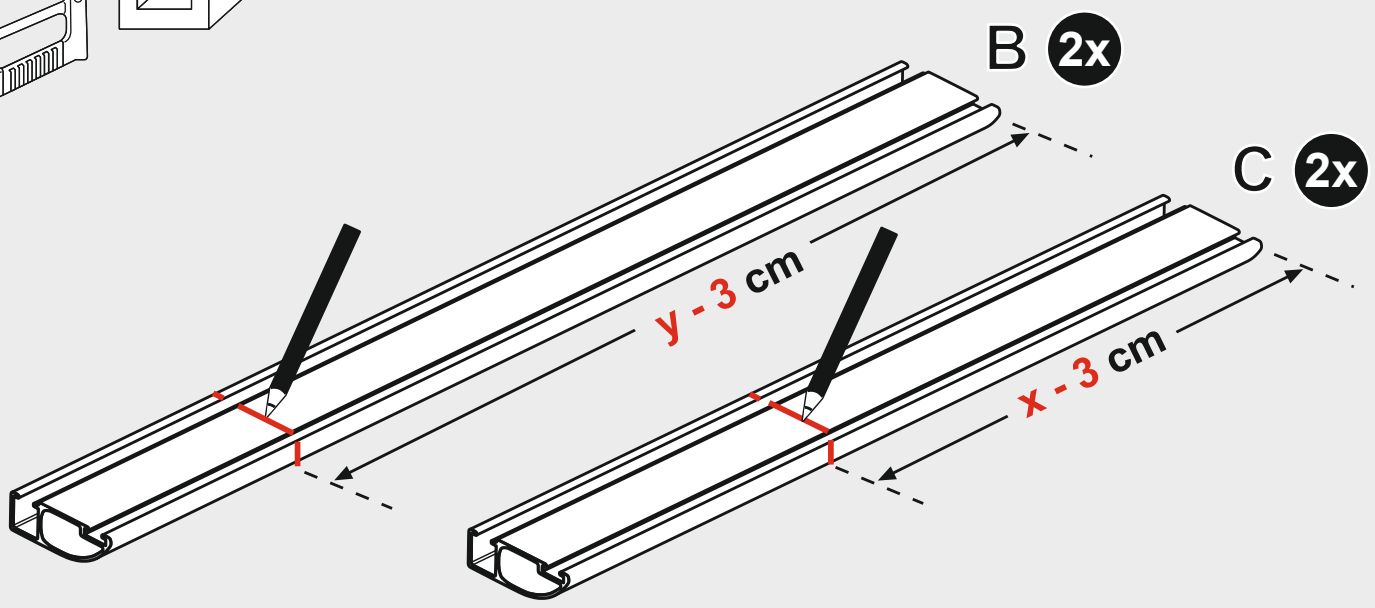
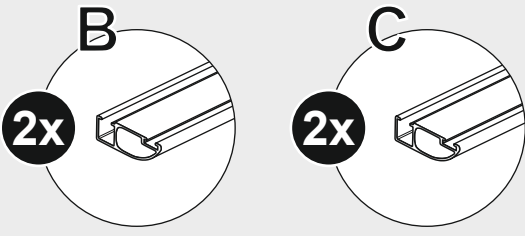
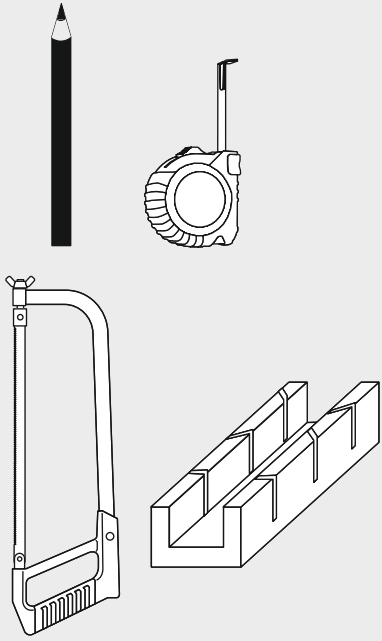


Y = _____

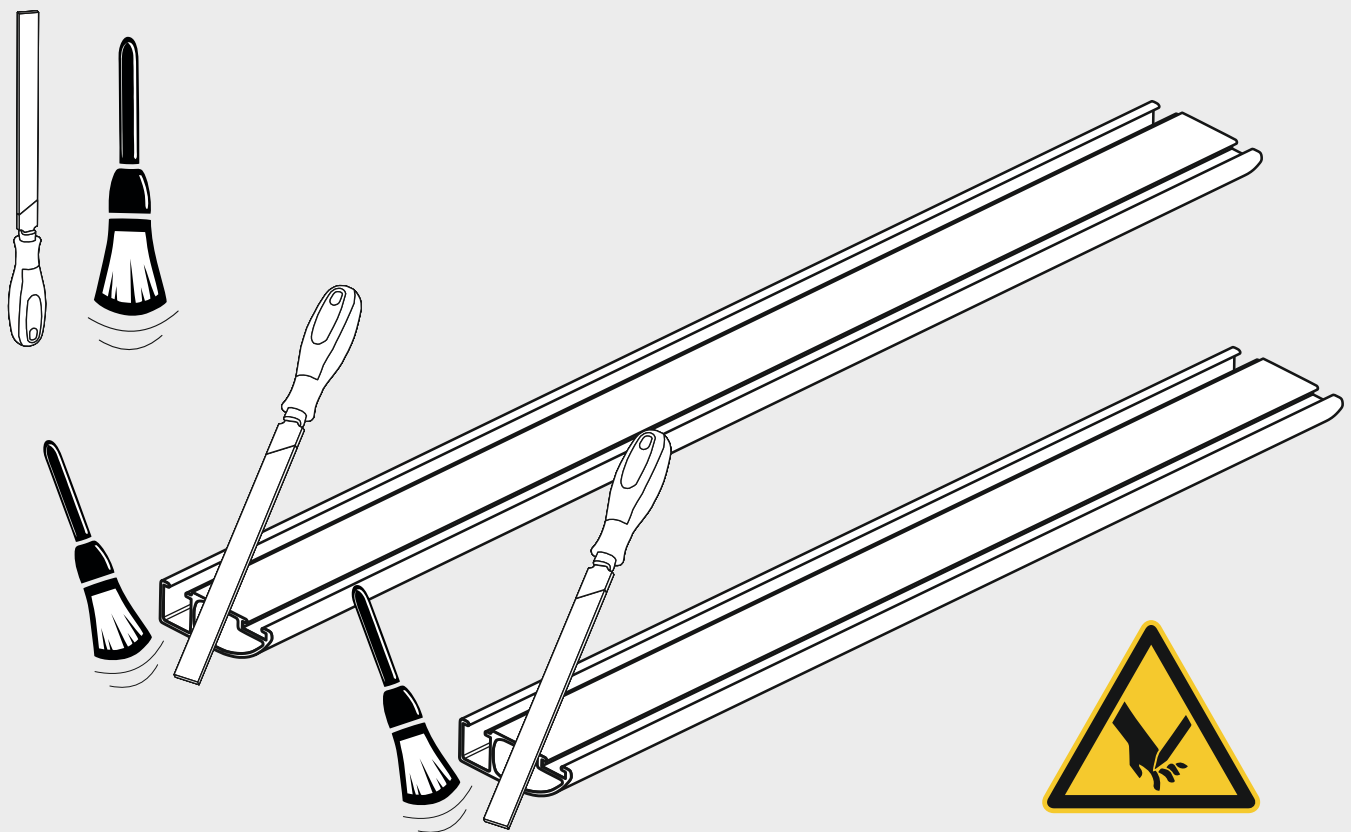


X = _____

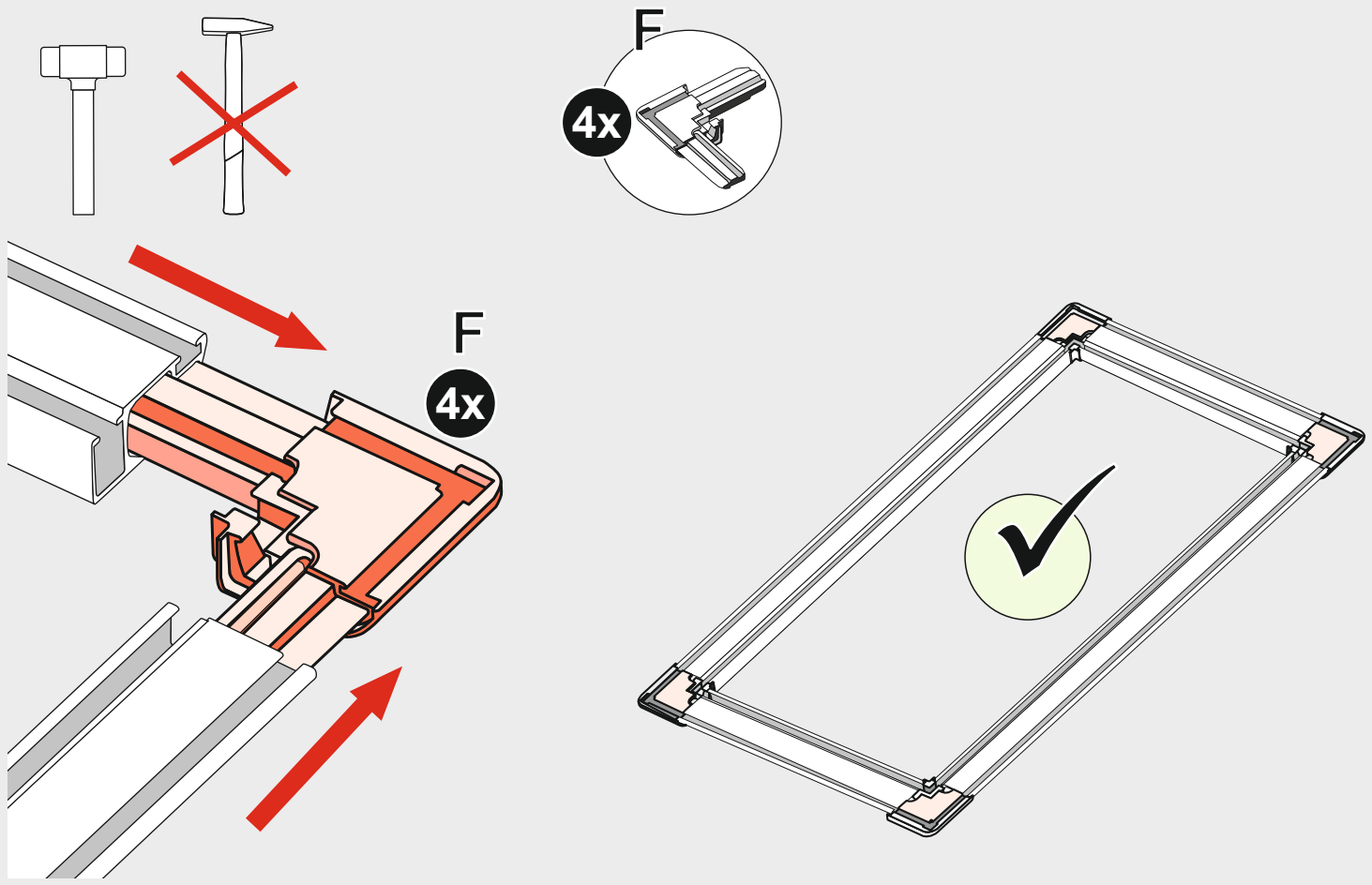
1



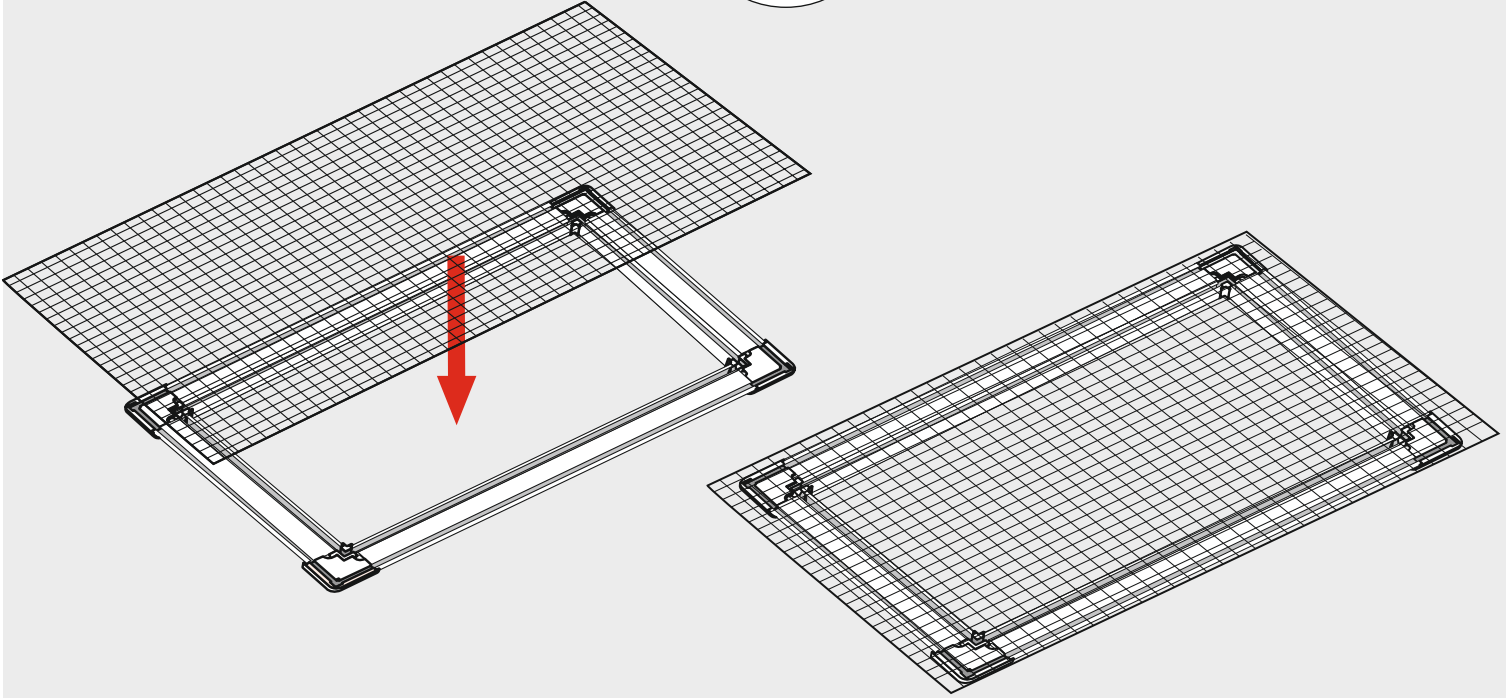
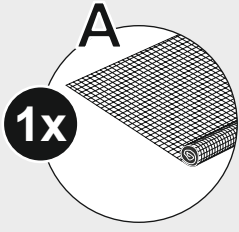
2



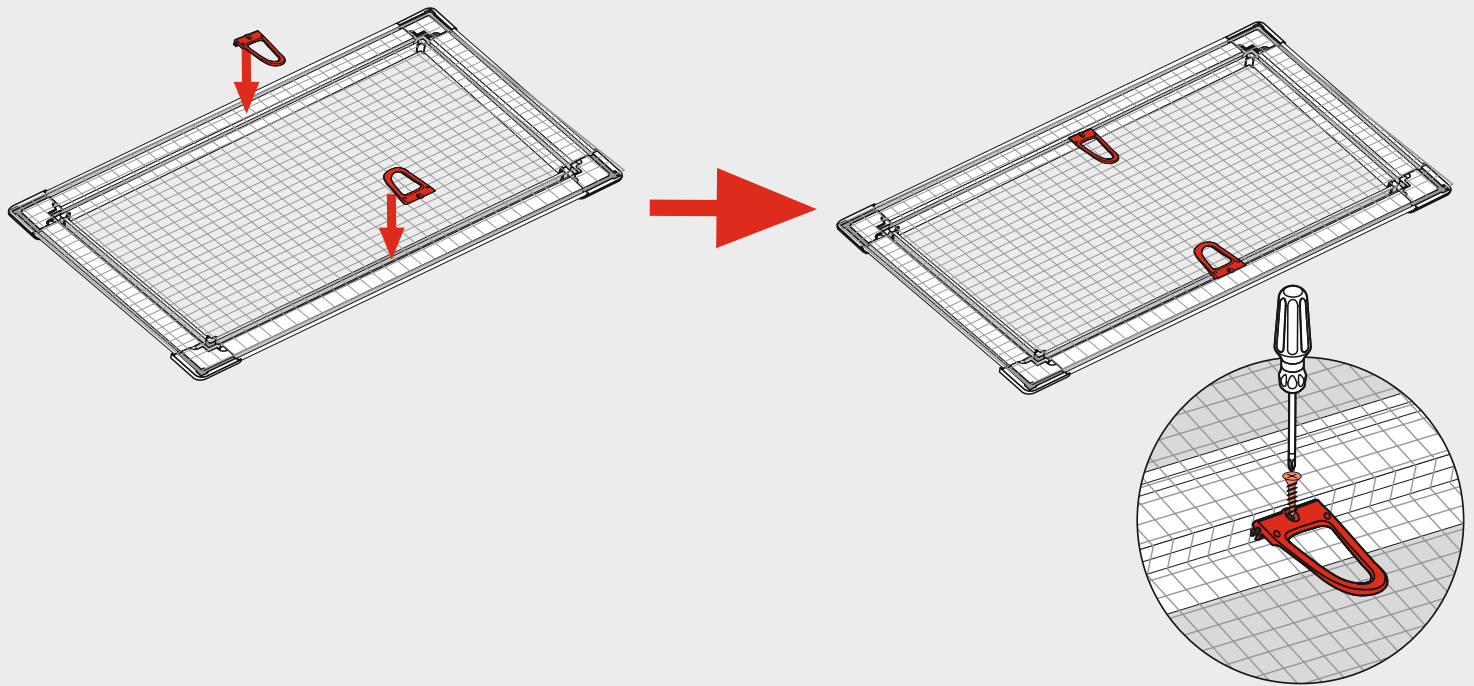
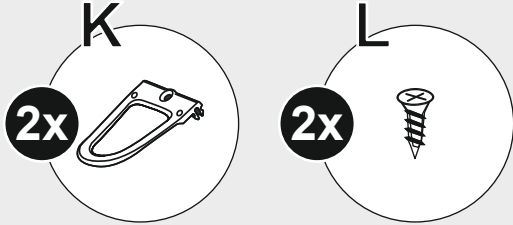
3



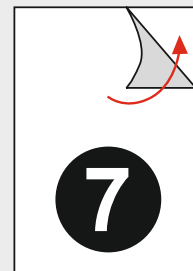
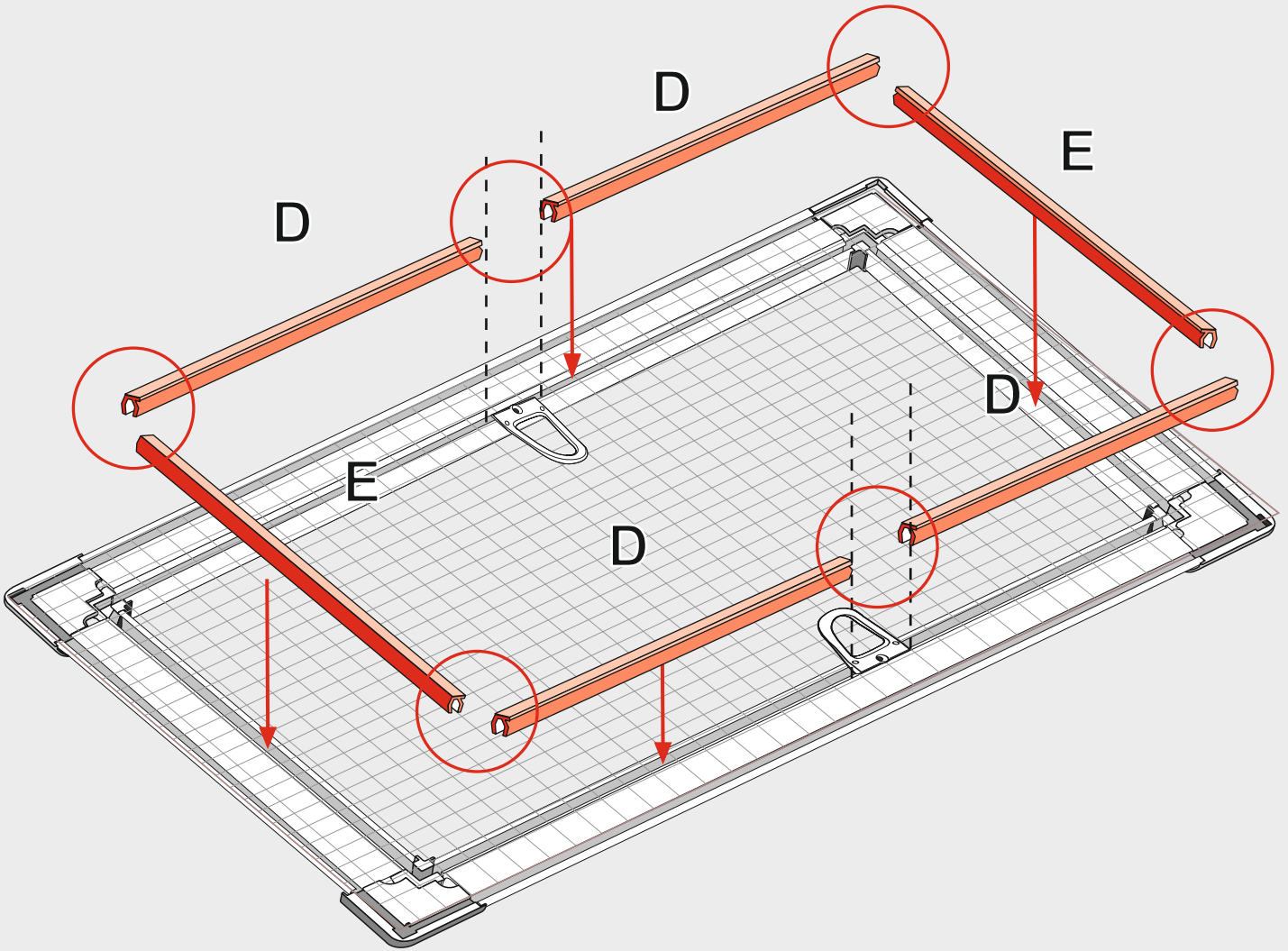
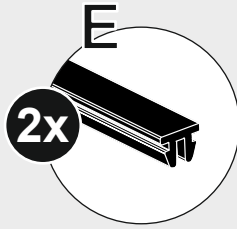
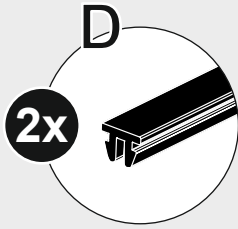
4



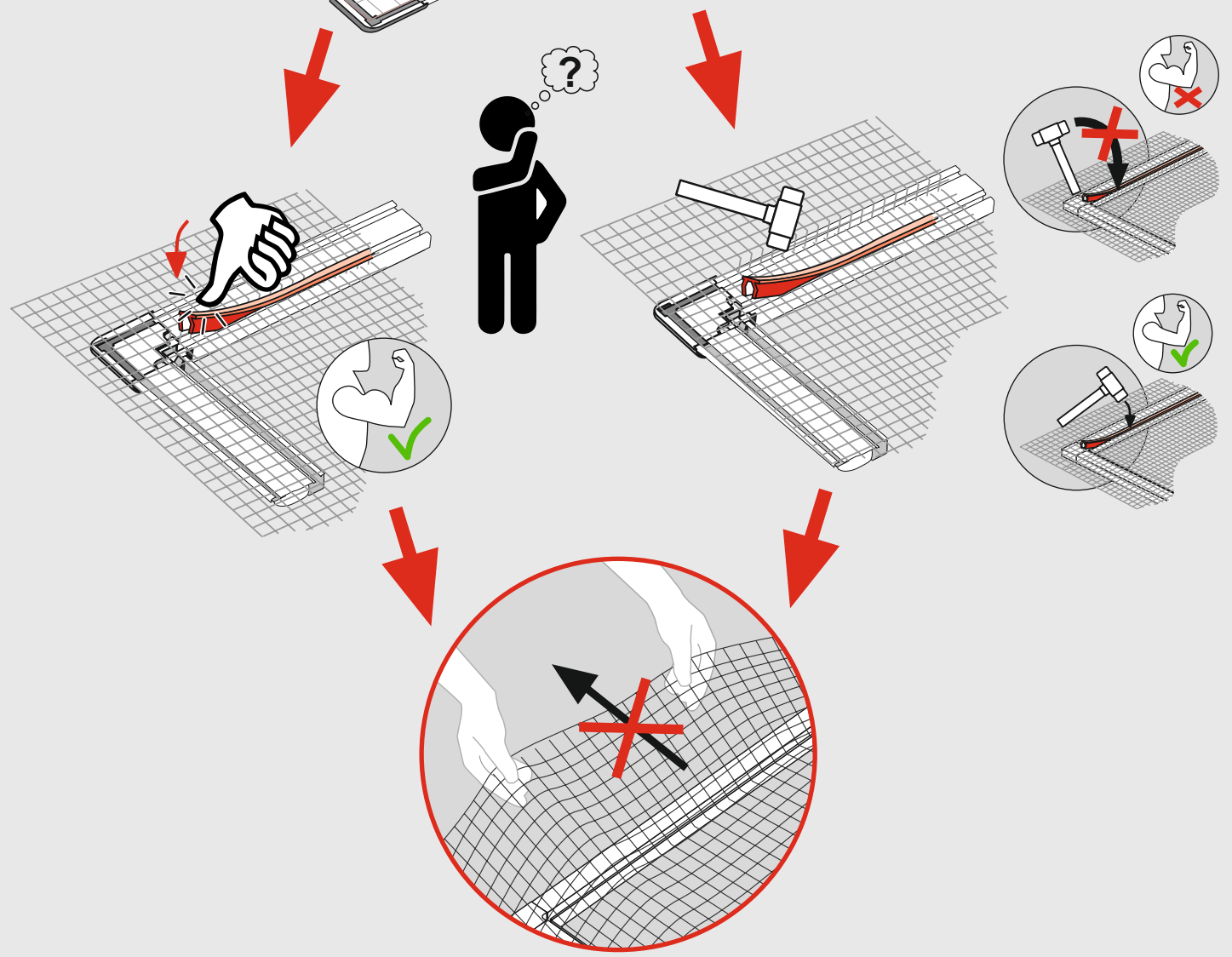
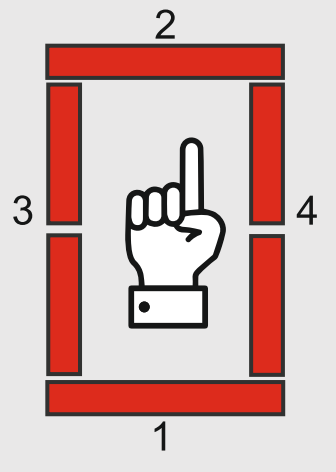
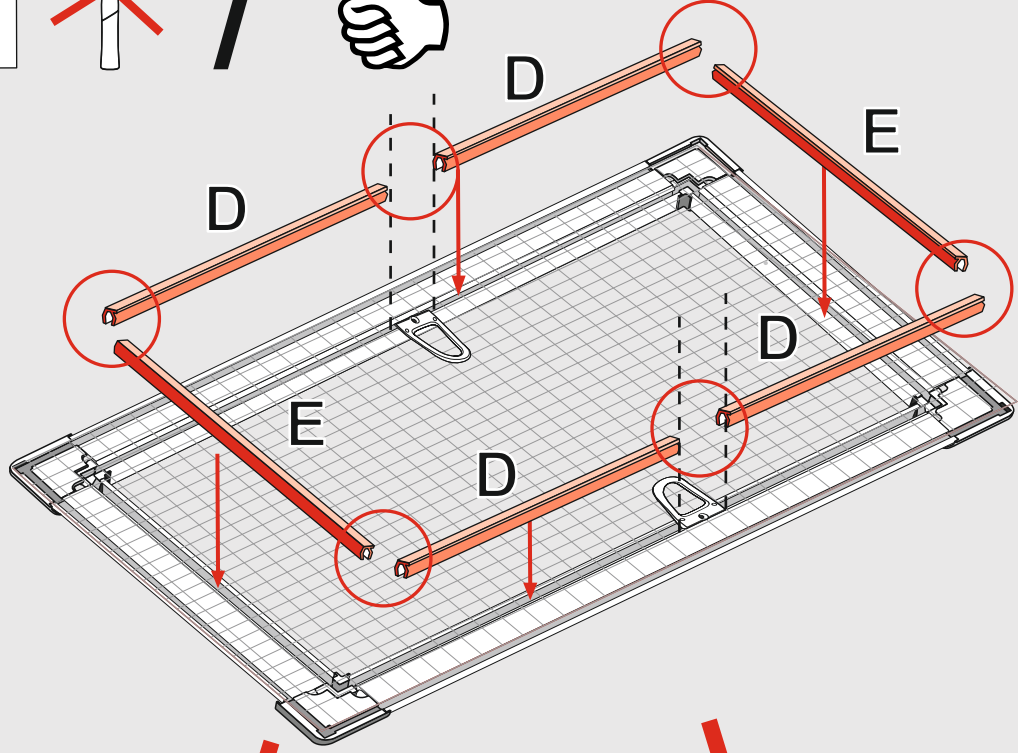
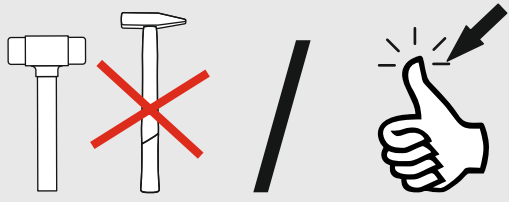
5



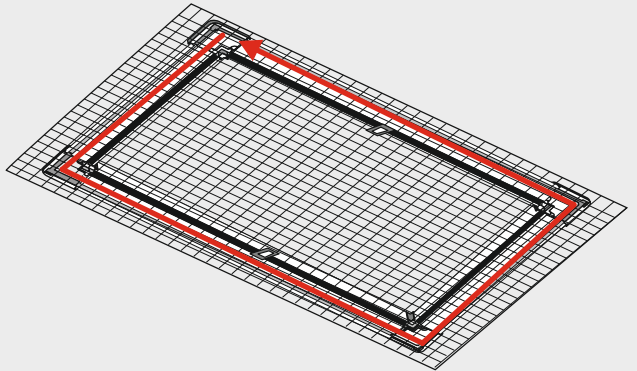
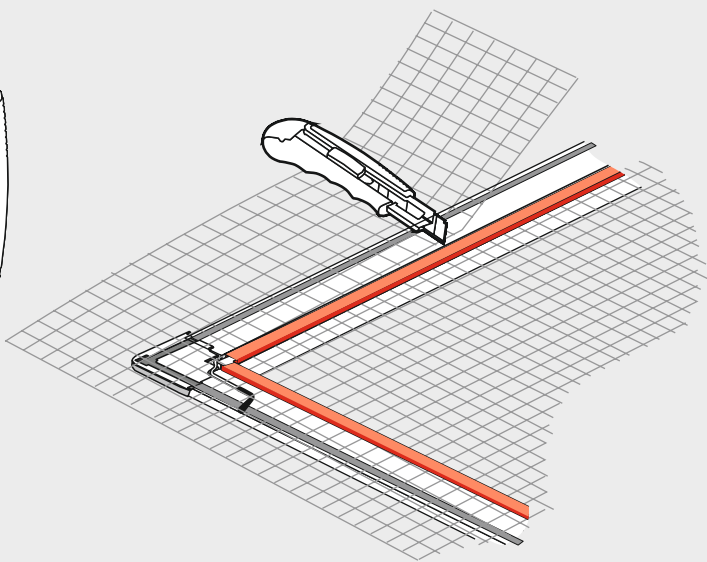
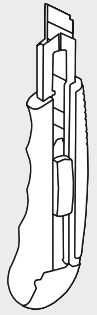
6



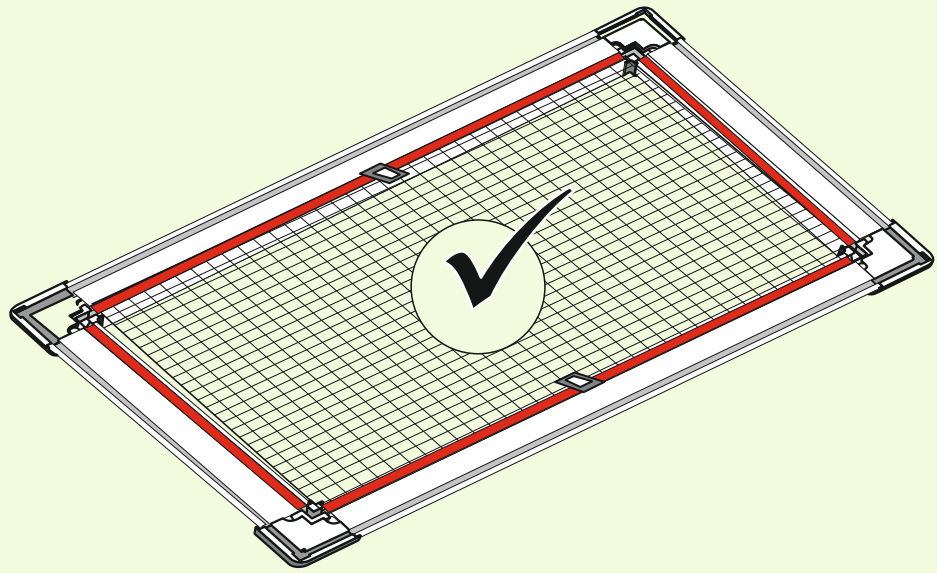
7



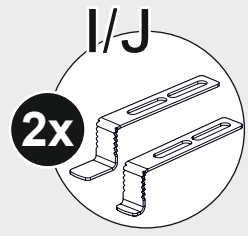
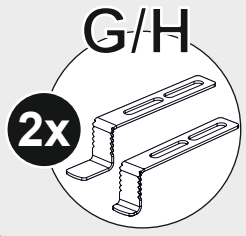
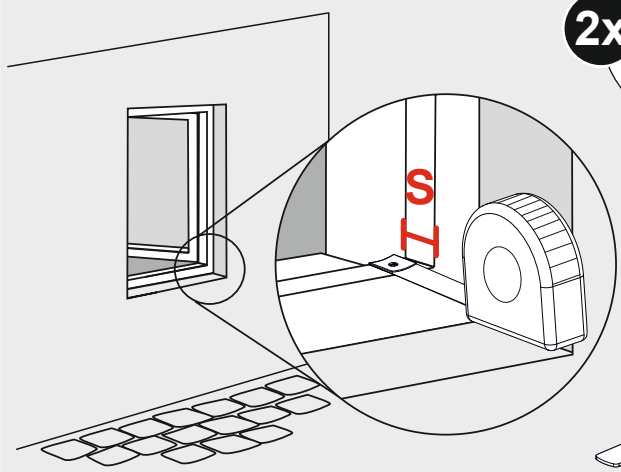
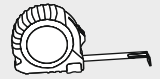
8



i



9



S = 1 - 2 cm

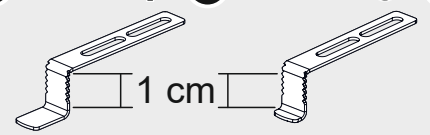
S = > 1 cm

G 2x

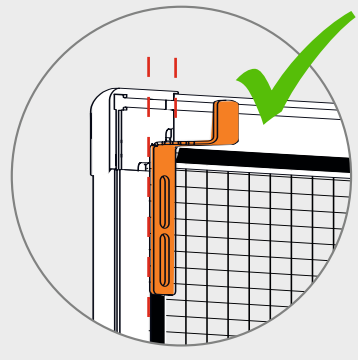
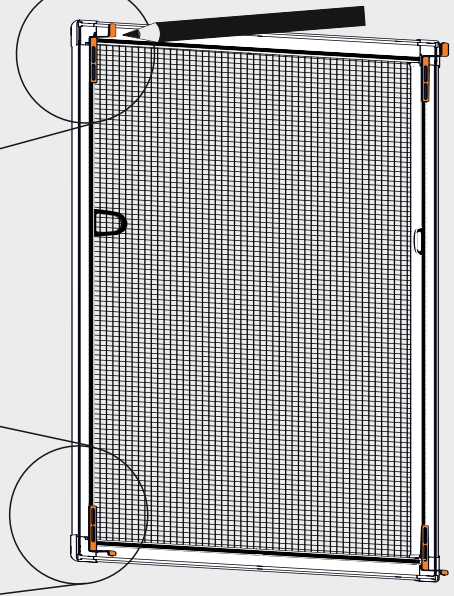
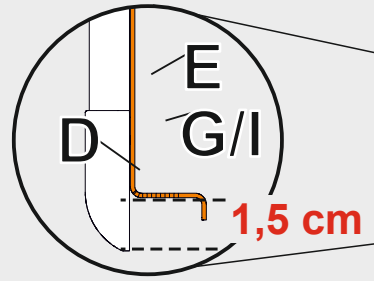
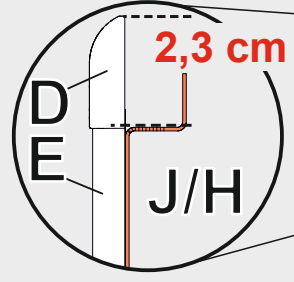
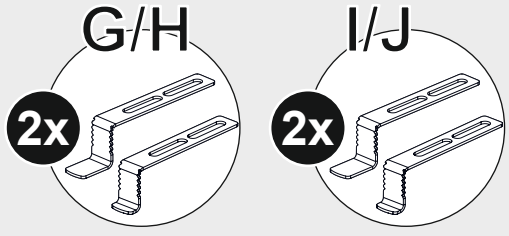
H 2x

I 2x

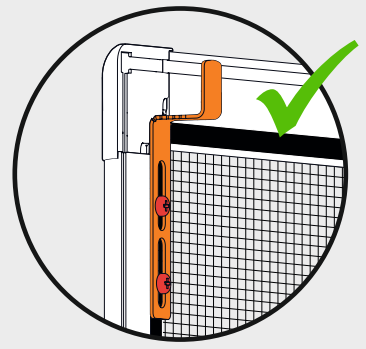
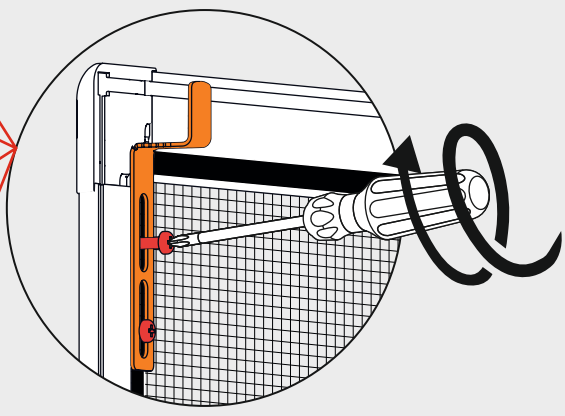
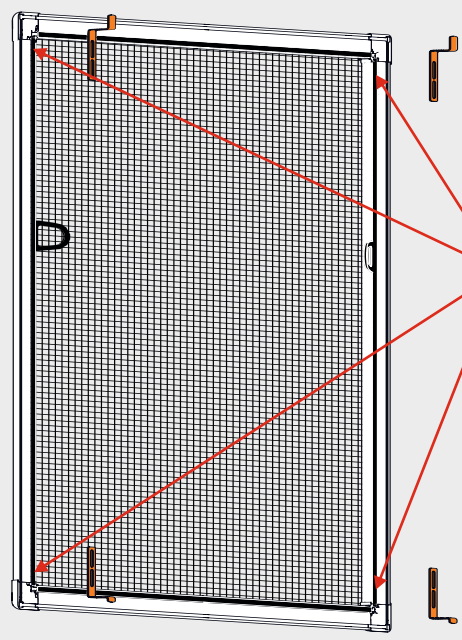
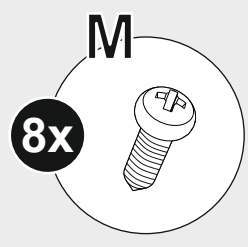
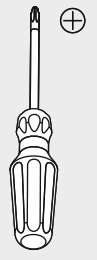
J 2x

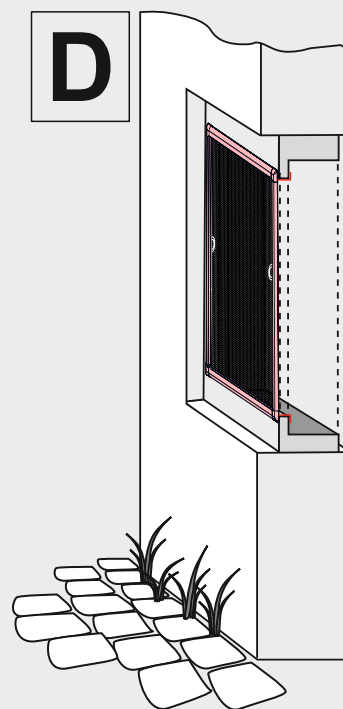
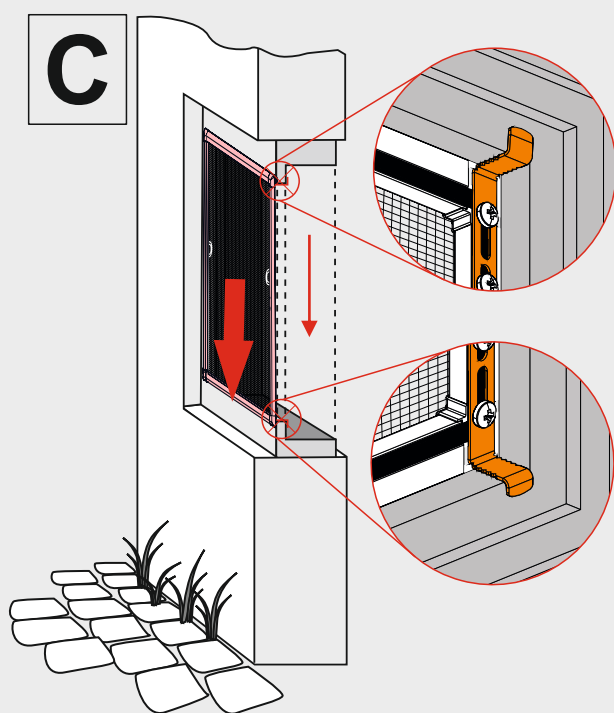
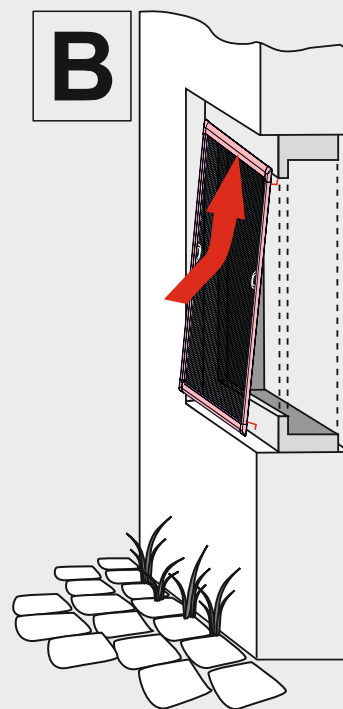
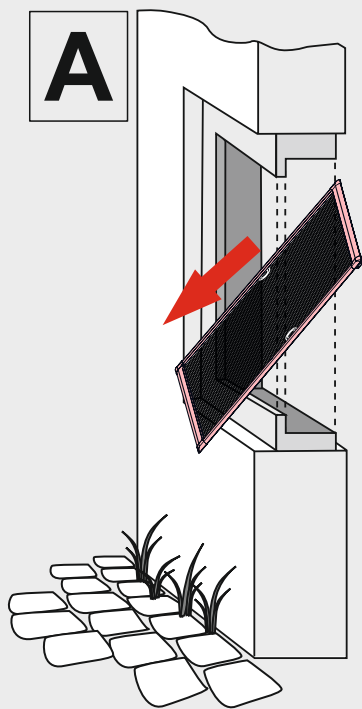


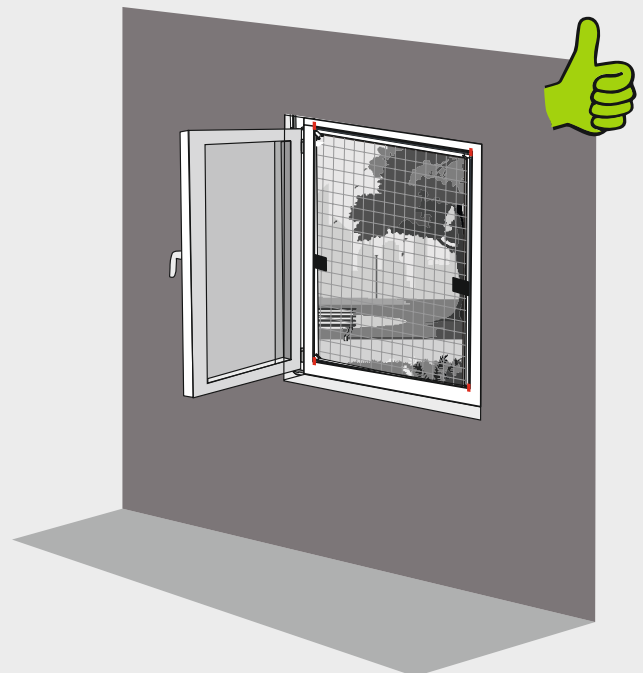
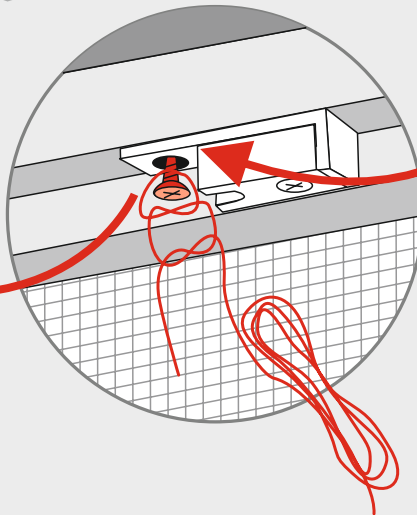
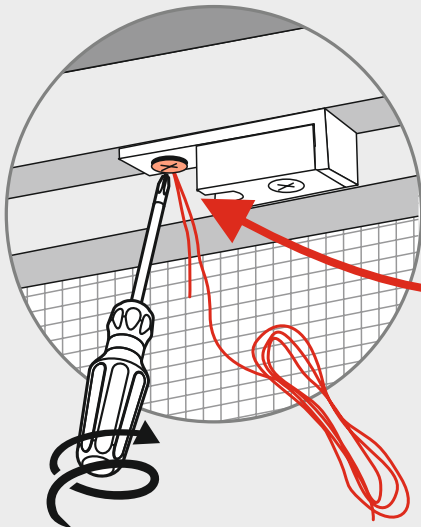
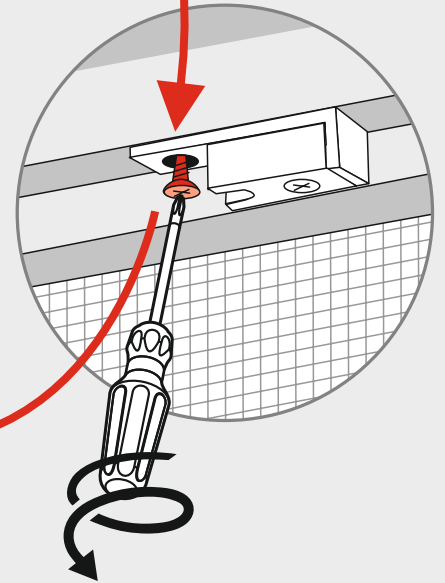
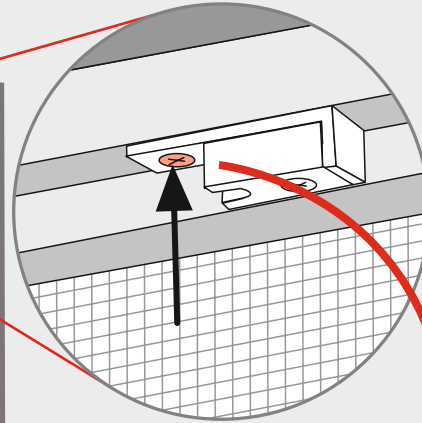
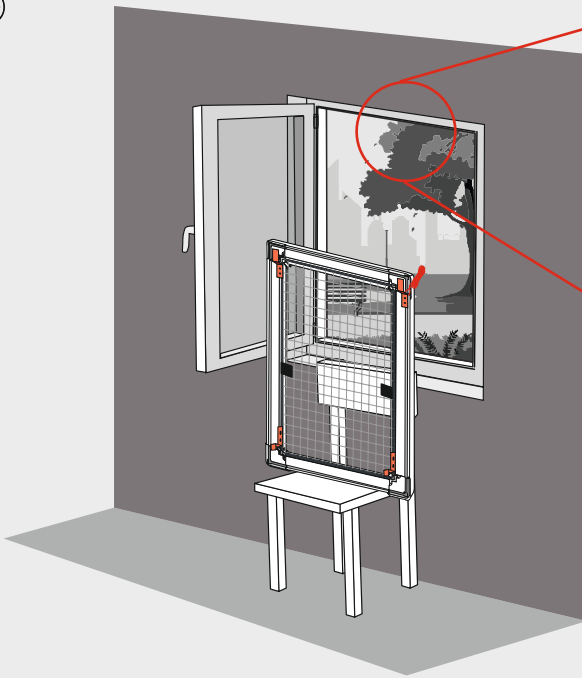
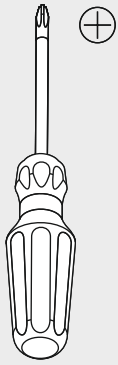
10



11







FR Si vous imprimez ce document, pensez à le trier !



LE TRI
+ FACILE



BAC
DE
TRI

