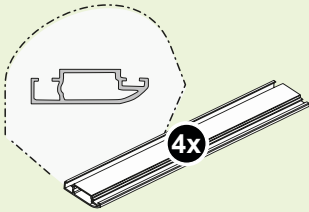
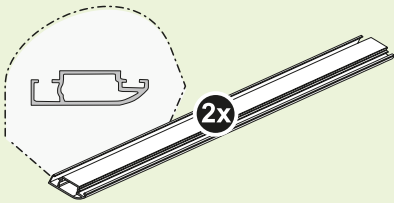


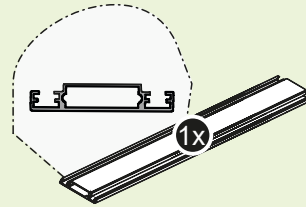
A ET2270-A



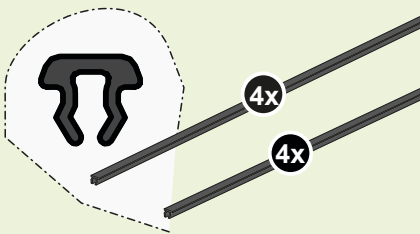
B  ET2280-B  
 ET2282-B



C  ET2280-C  
 ET2282-C

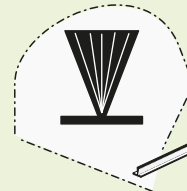


D  ET2280-D  
 ET2282-D

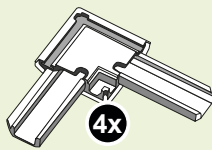


E ET2280-E

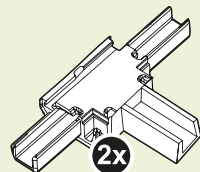
F ET2280-F



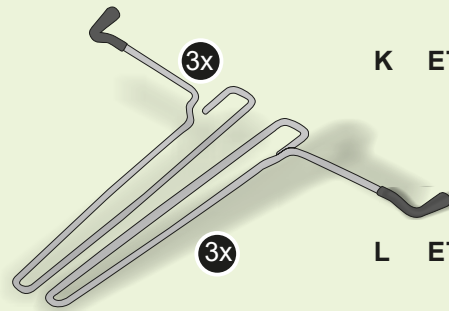
G ET2270-G



H  ET2270-H  
 ET2272-H



I  ET2280-I  
 ET2282-I



K ET2270-K



L ET2270-L

ET208-SET2

2x



H ET2080-H



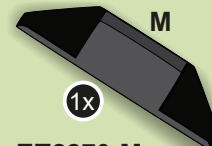
I ET2080-I



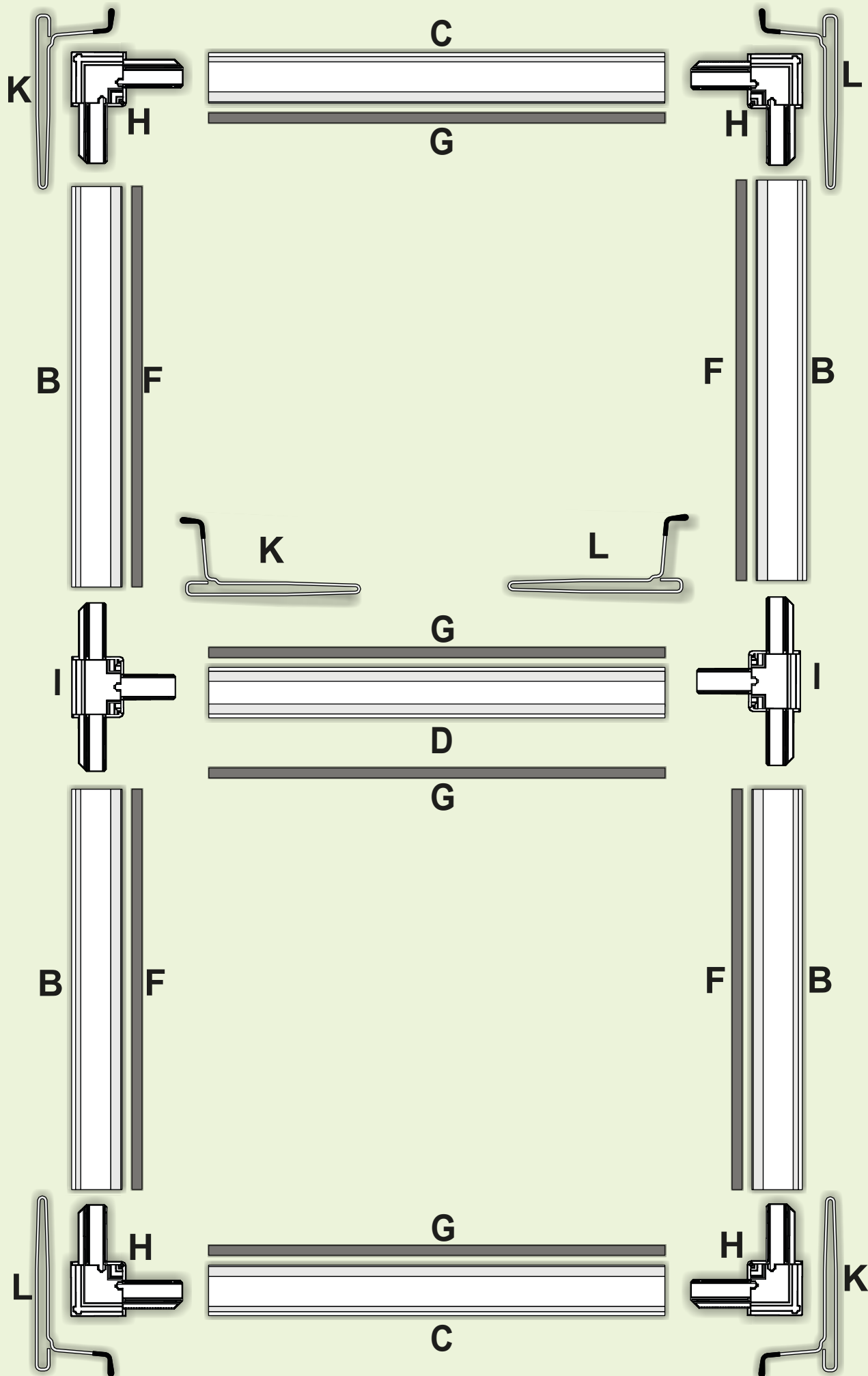
J ET2080-J

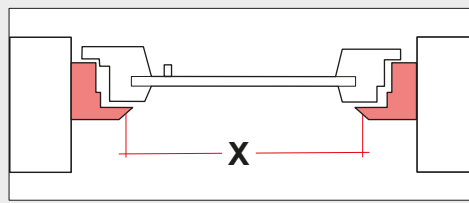
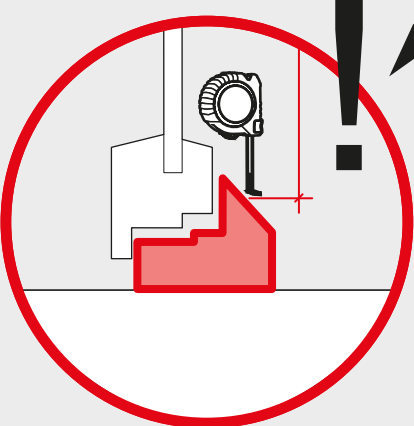
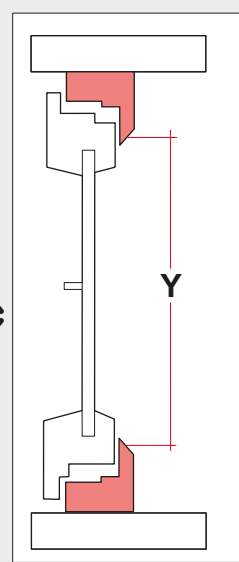
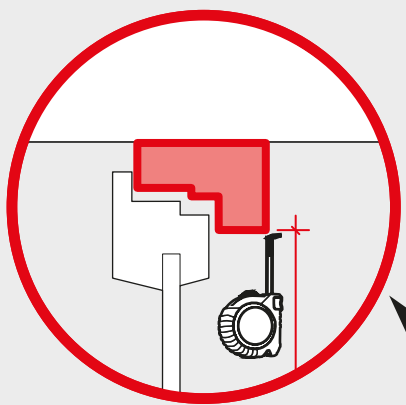
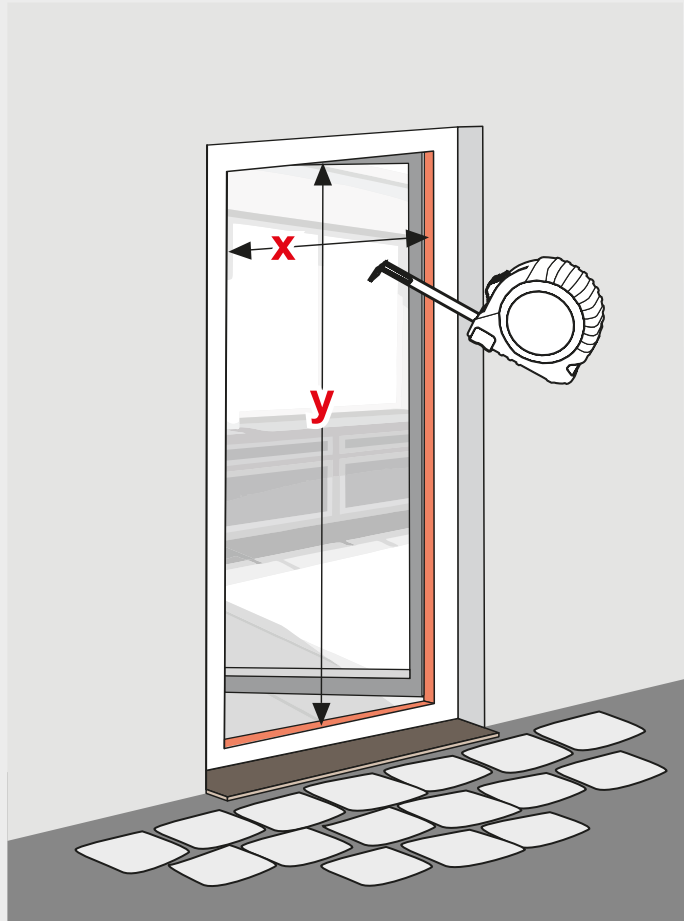
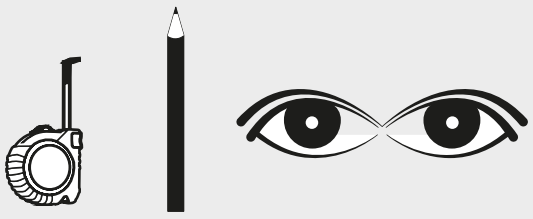


ET2080-Z

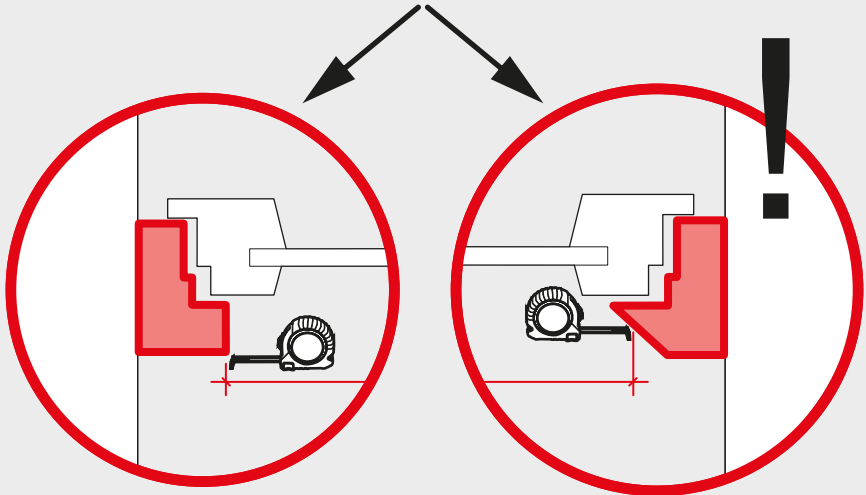


ET2270-M



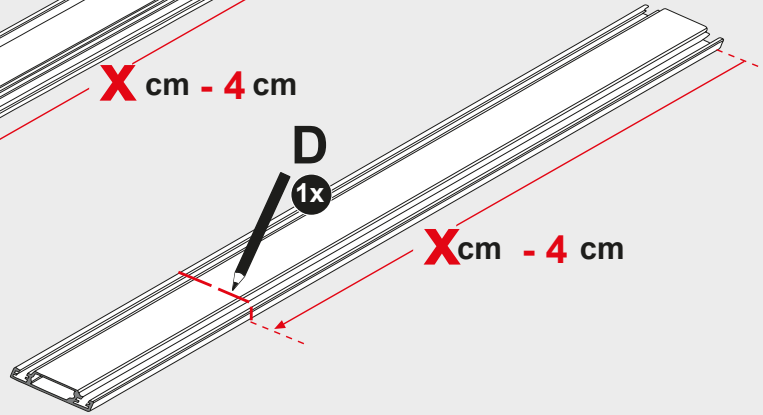
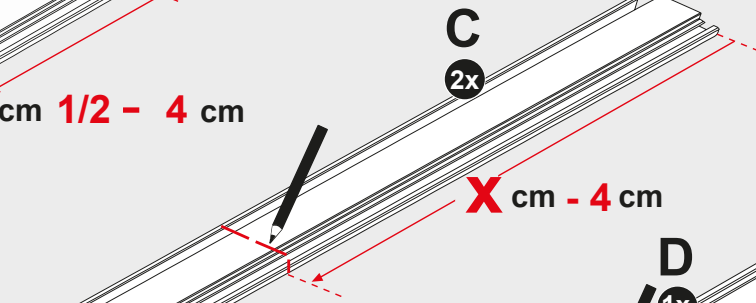
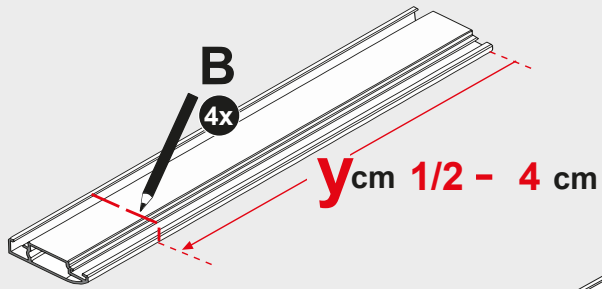
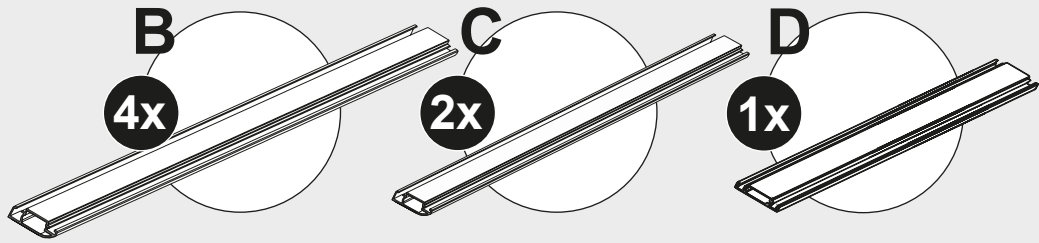
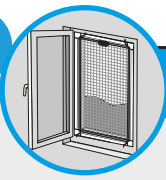


Y = \_\_\_\_\_

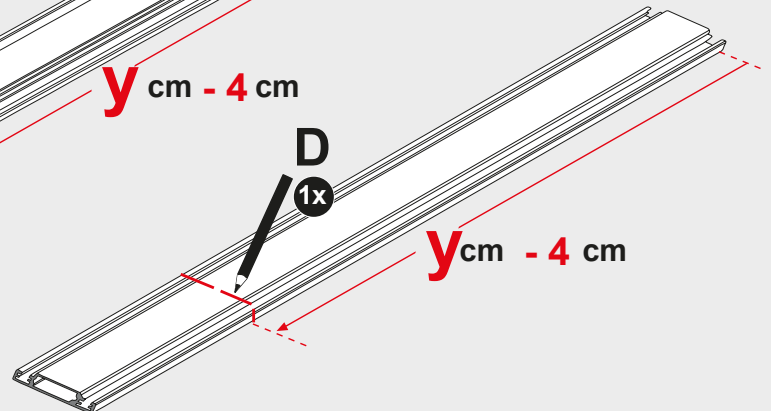
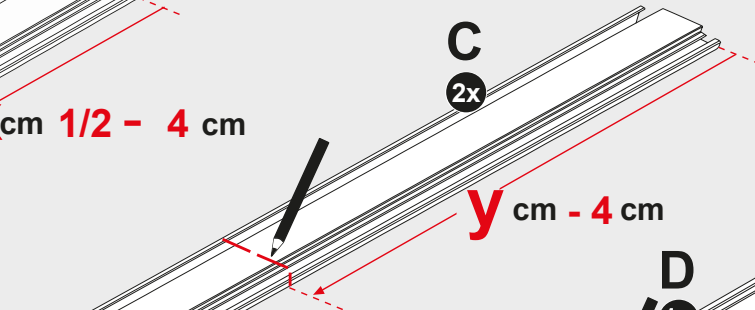
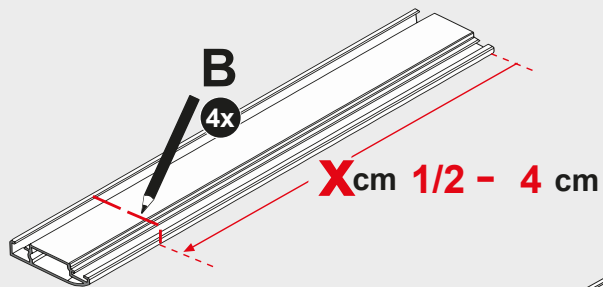
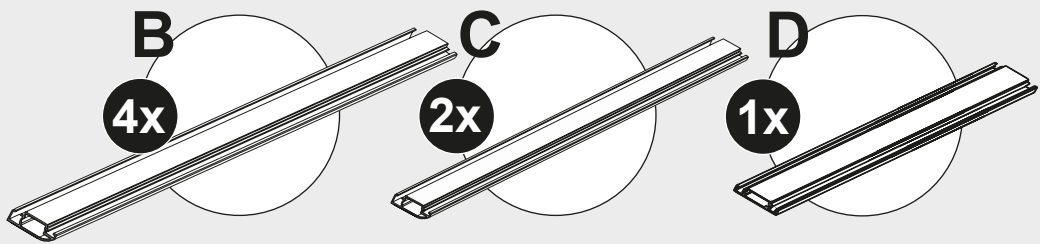
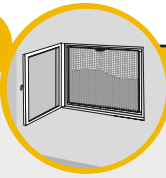


X = \_\_\_\_\_

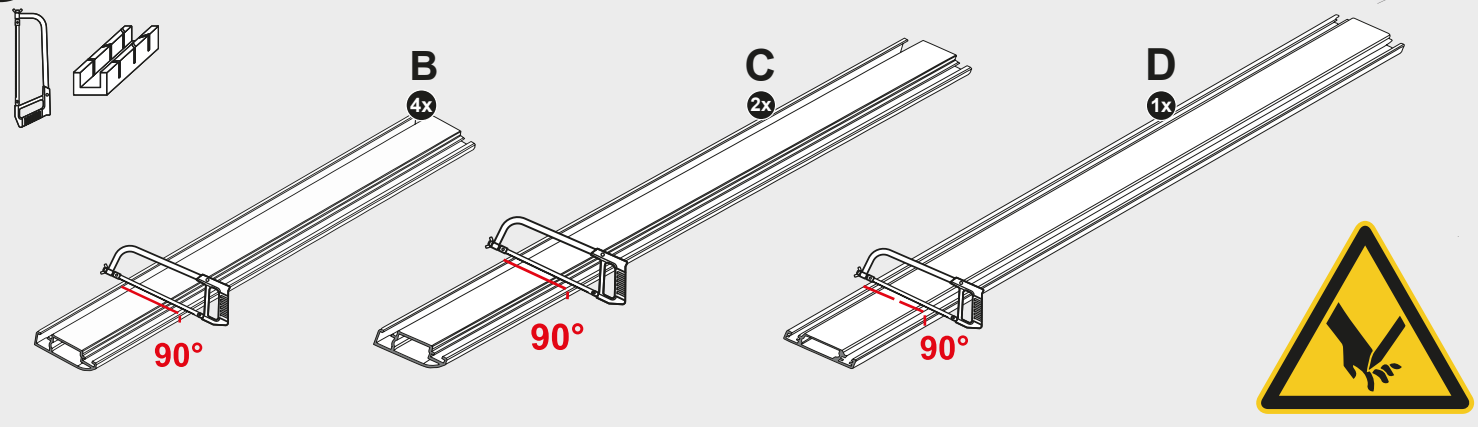
1



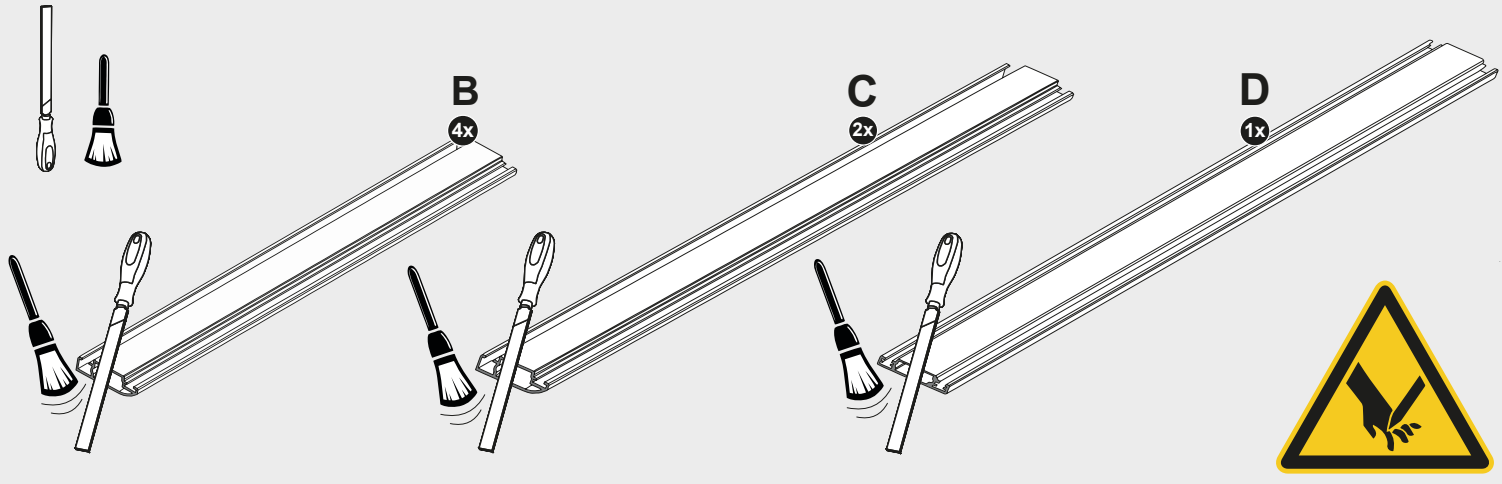
1



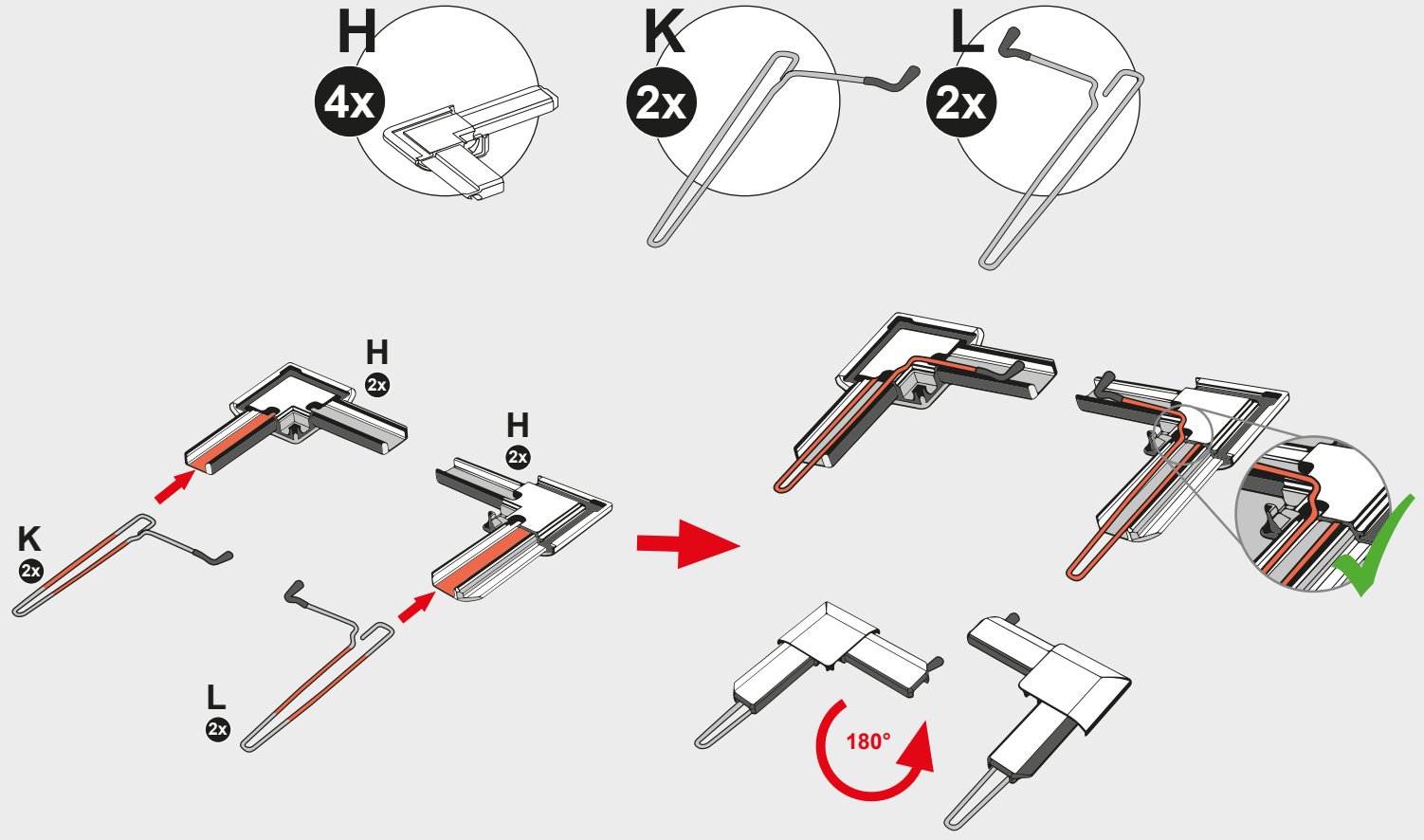
2



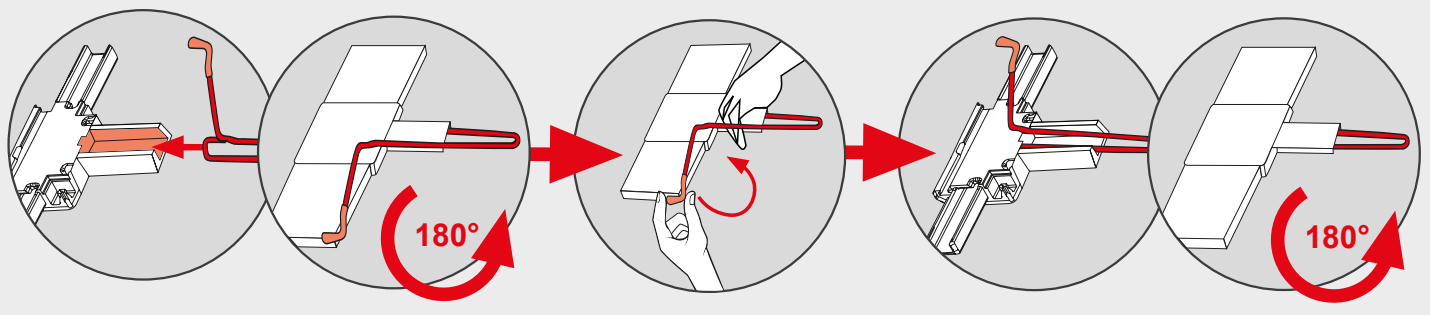
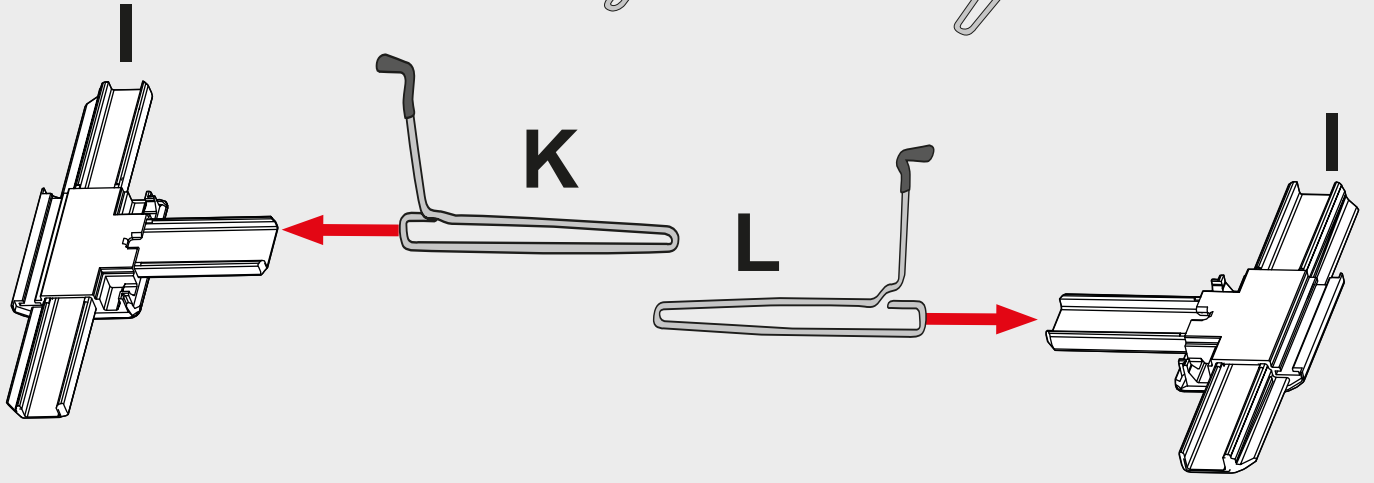
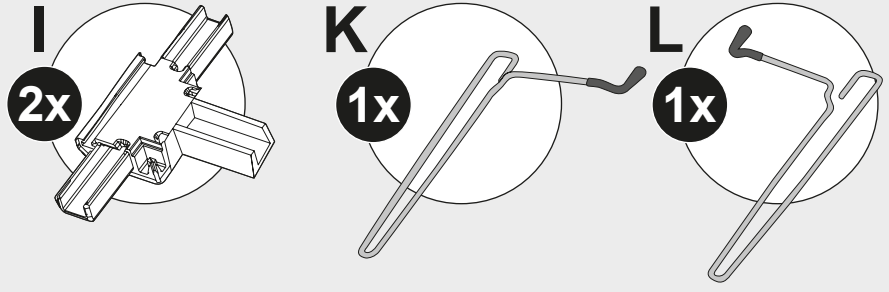
3



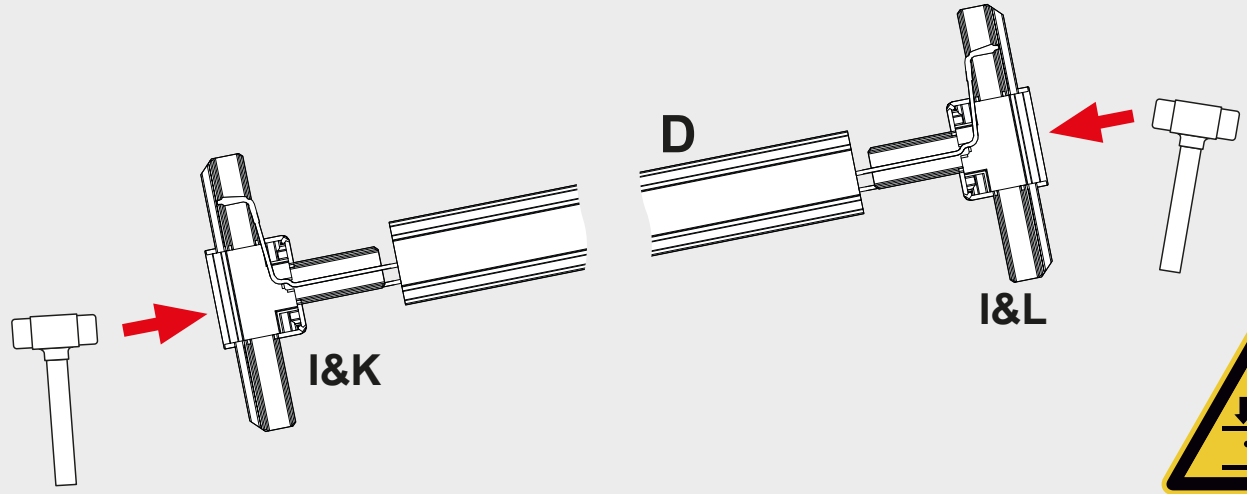
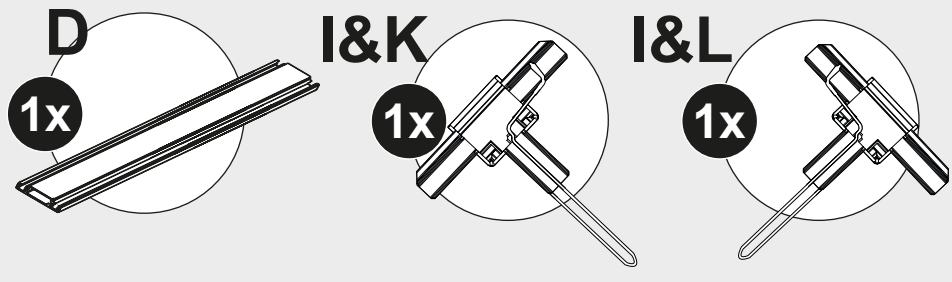
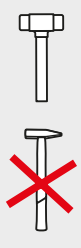
4



5



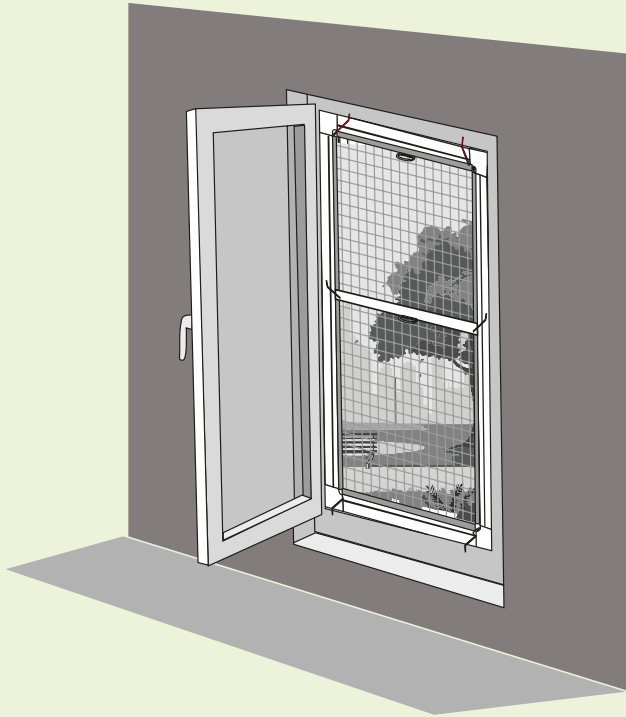
6



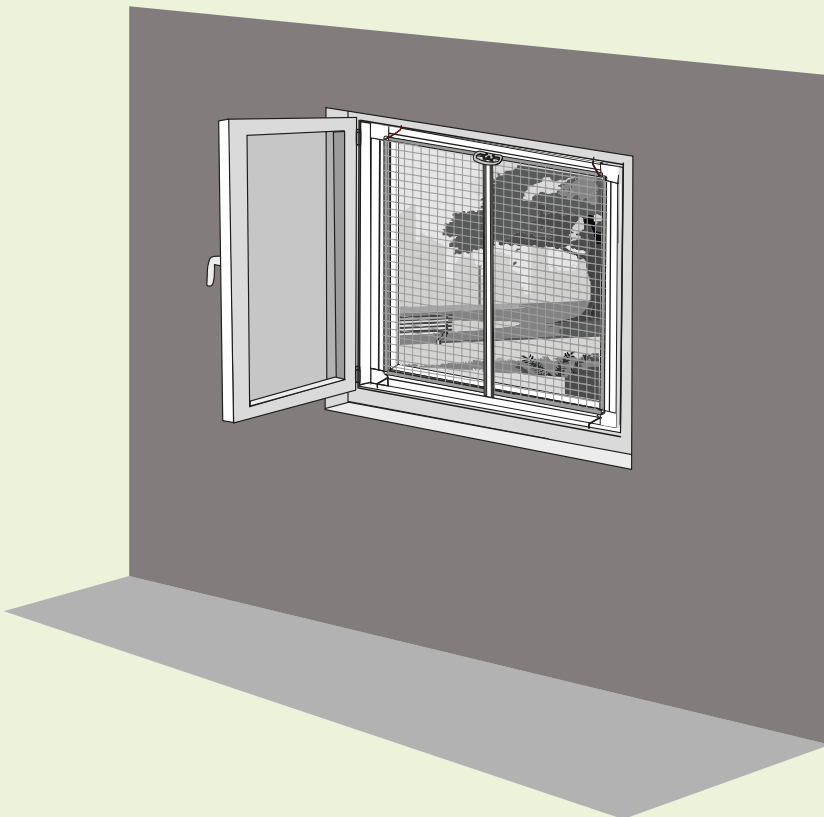


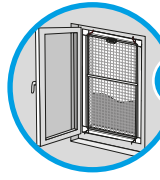


6 → 21

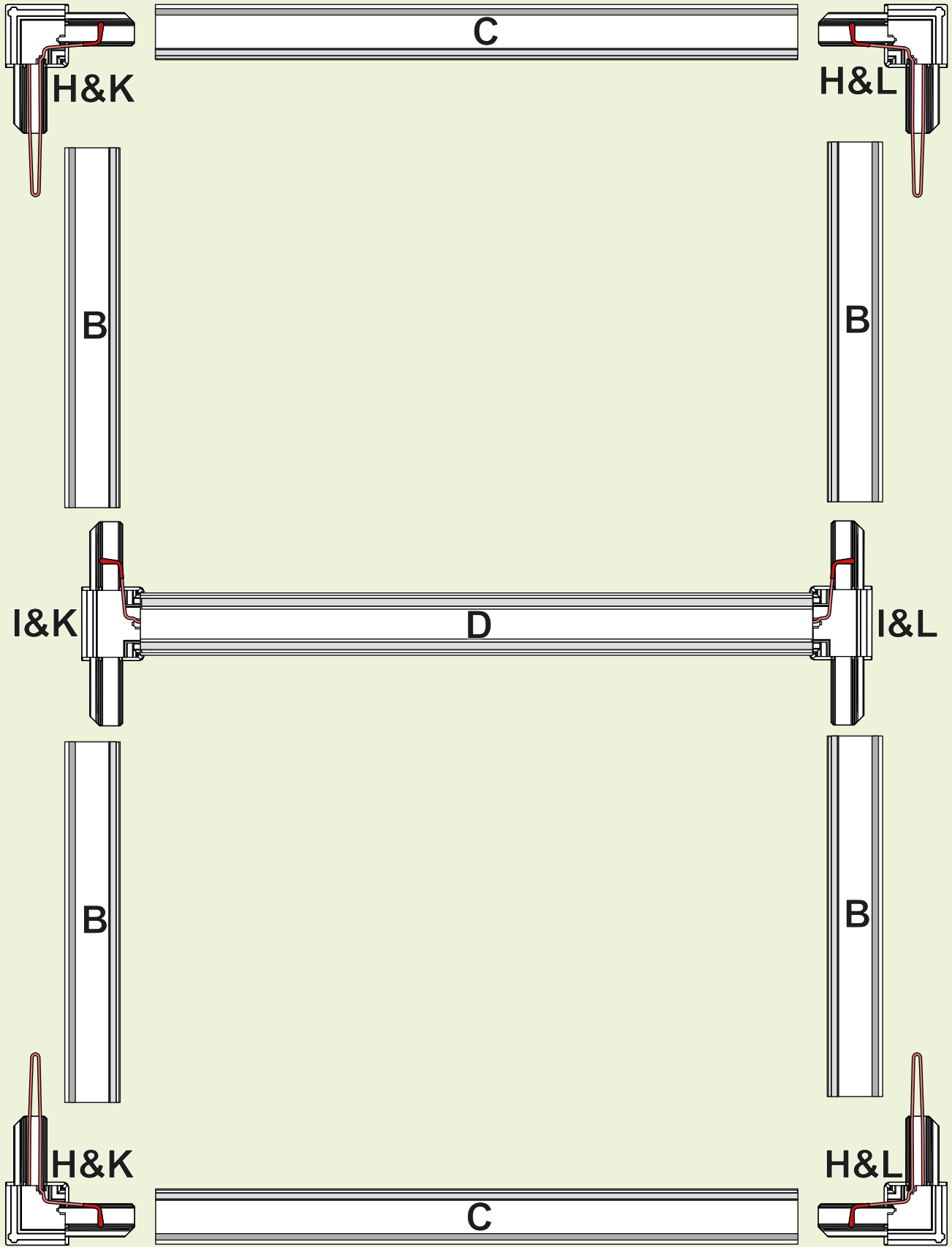


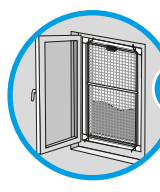
22 → 37





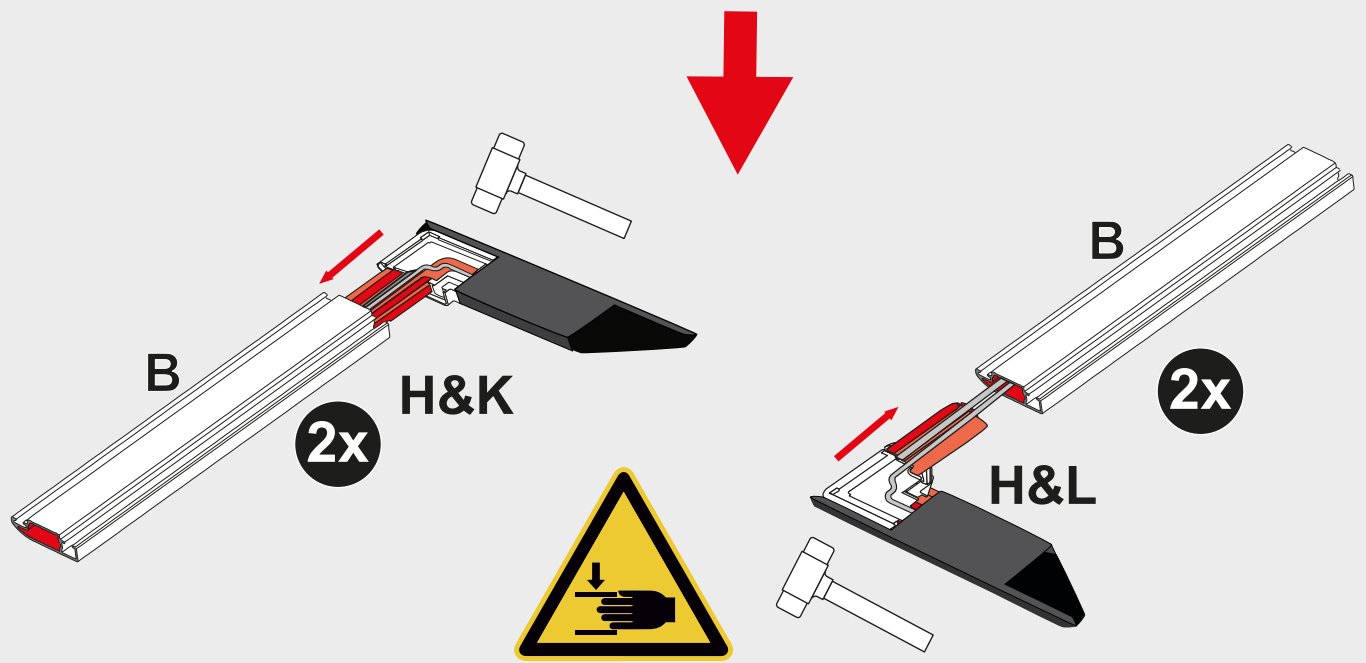
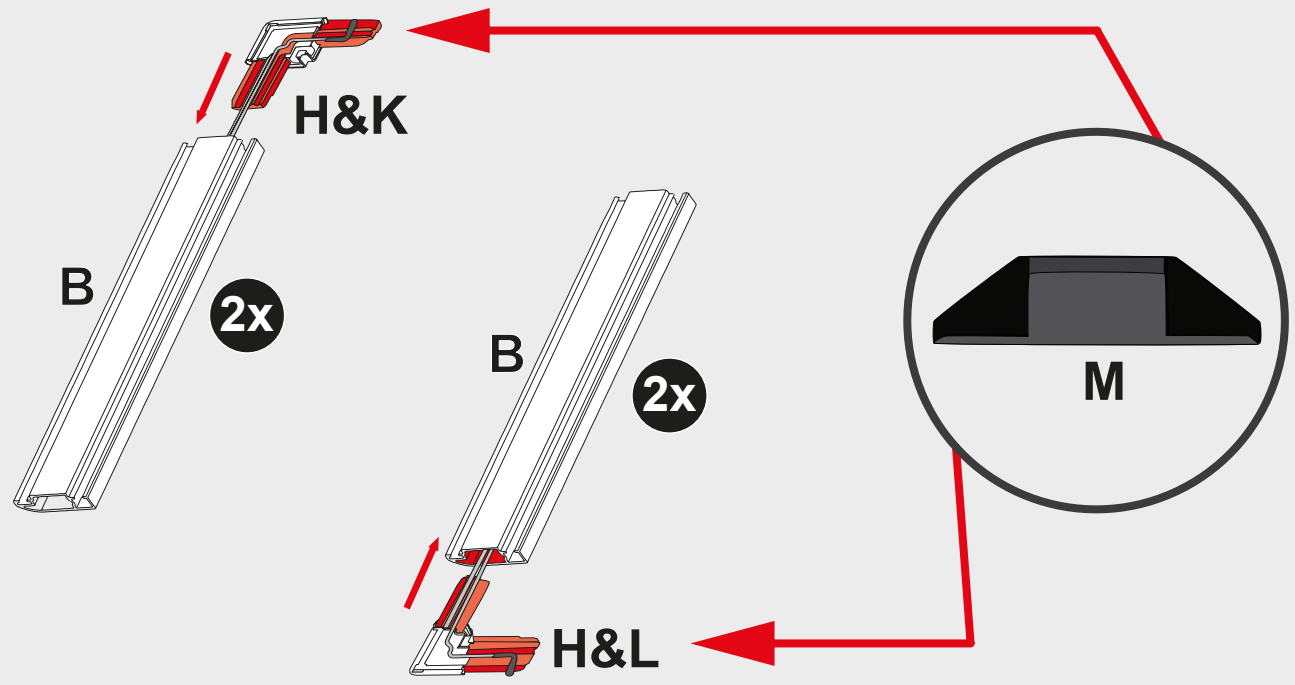
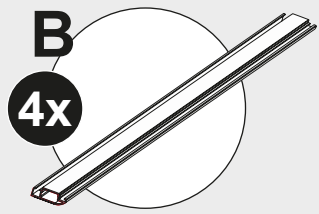
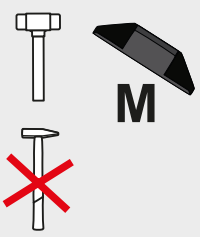
i

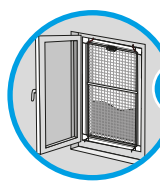




6 → 21

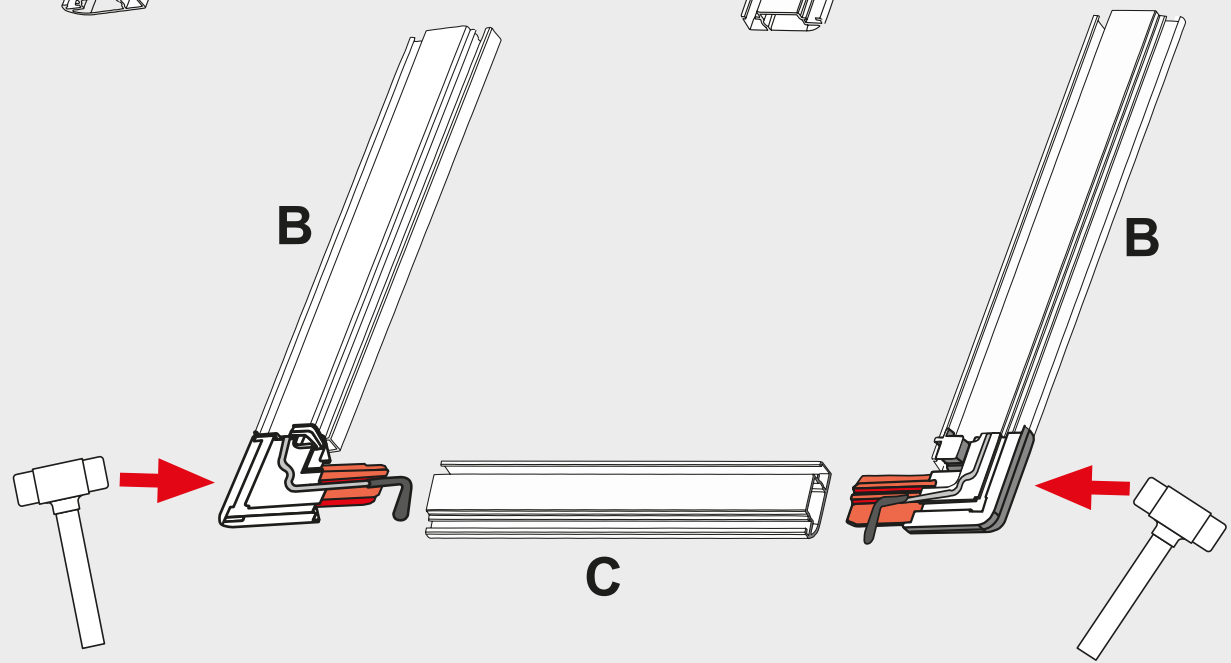
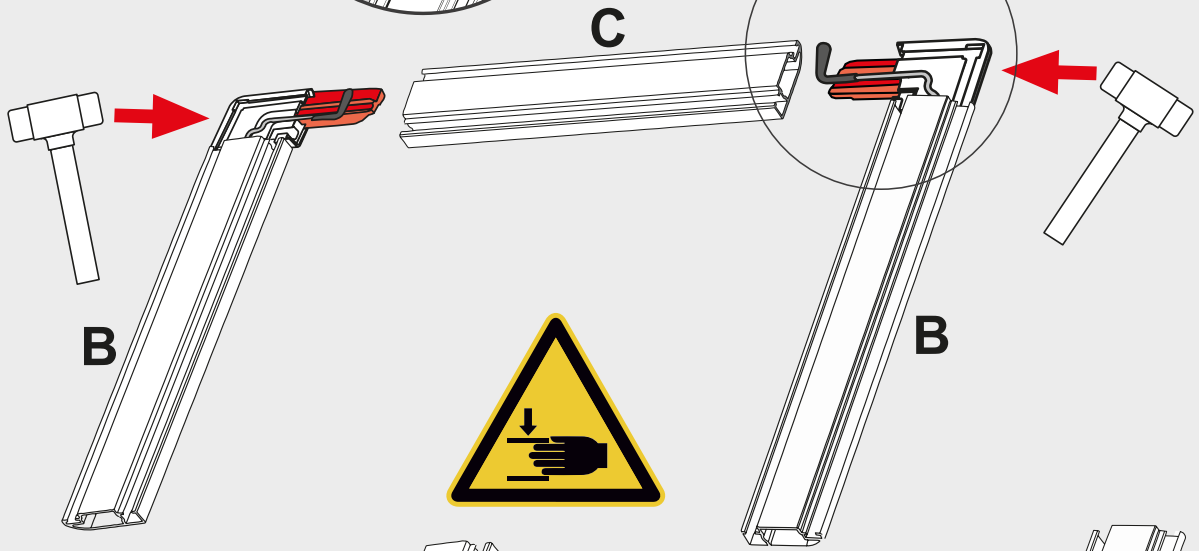
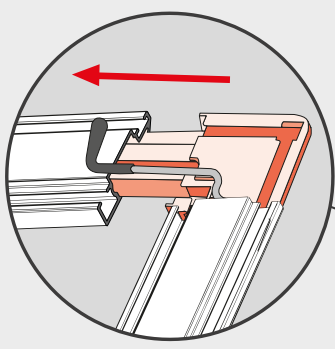
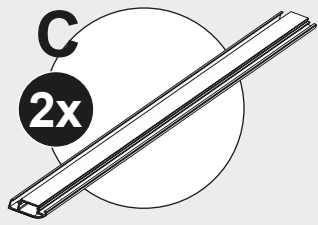
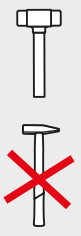
6

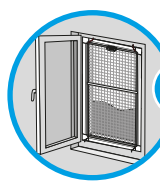




6 → 21

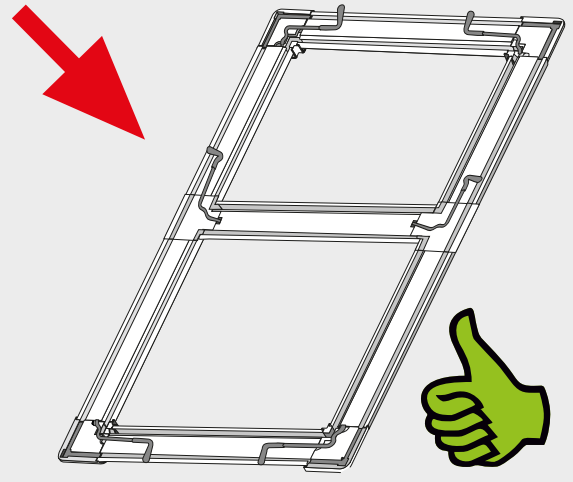
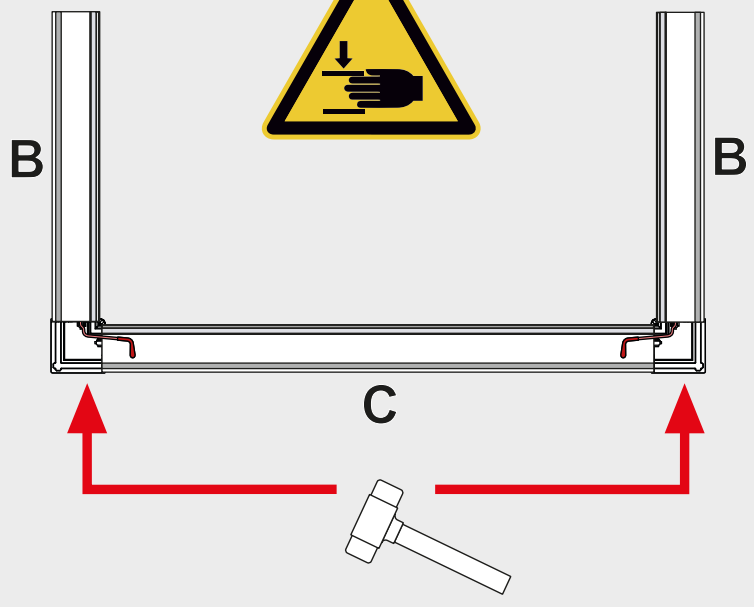
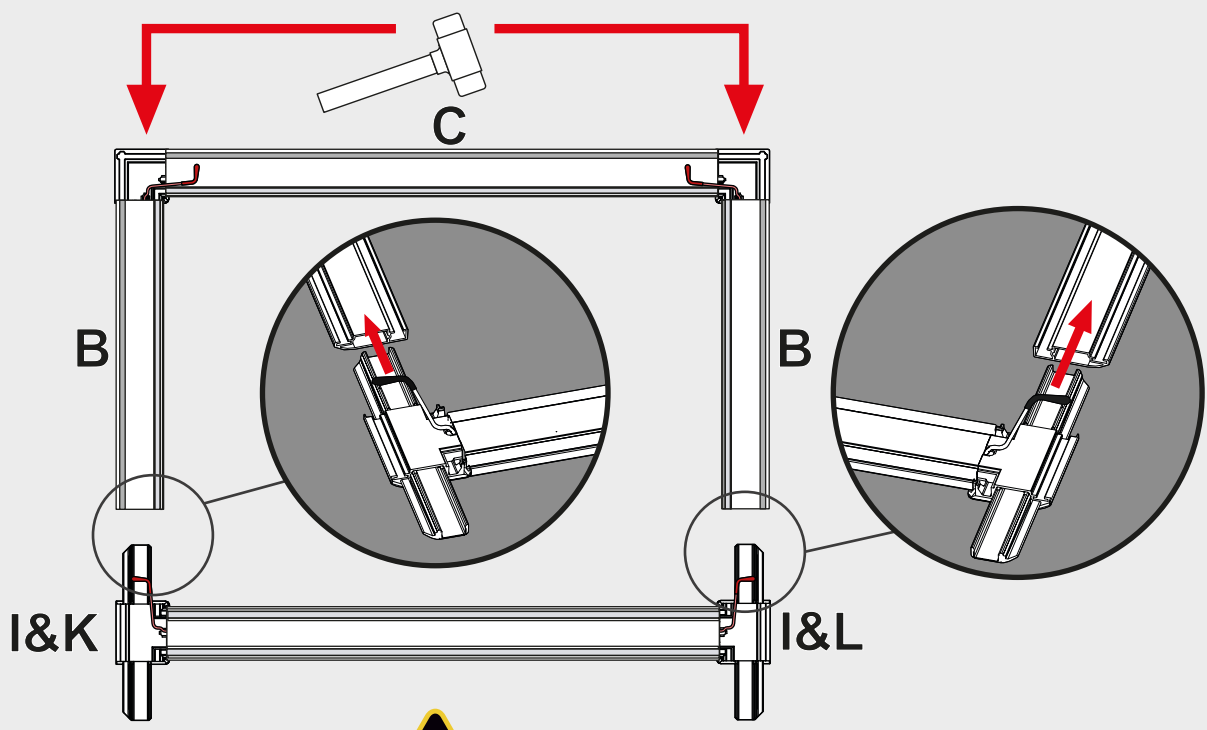
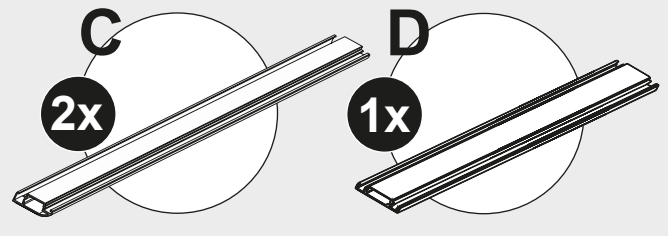
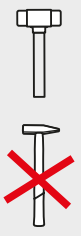
7

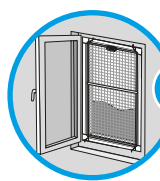




6 → 21

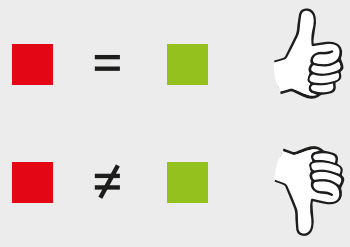
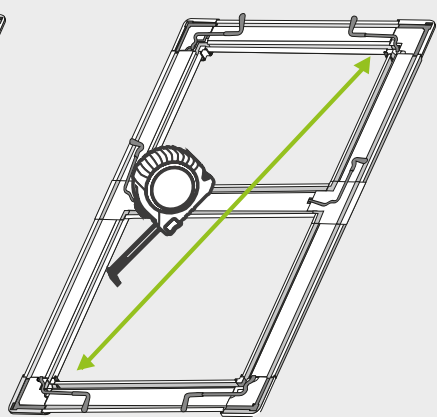
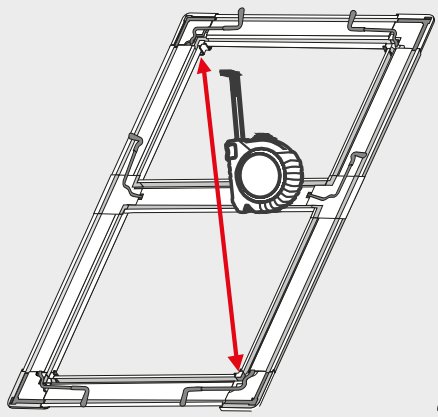
8



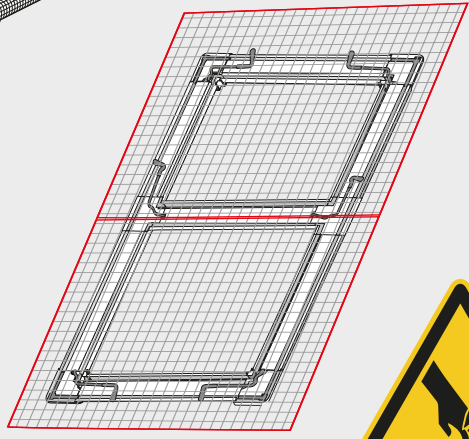
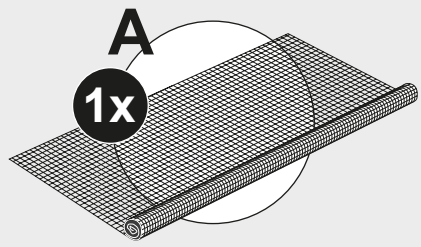
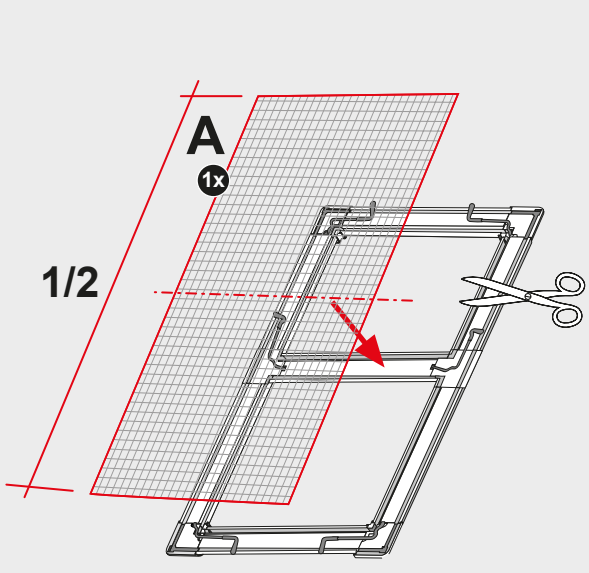


6 → 21

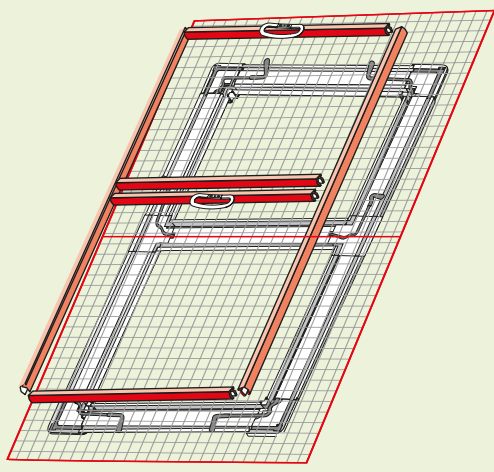
9

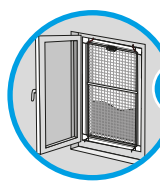


10



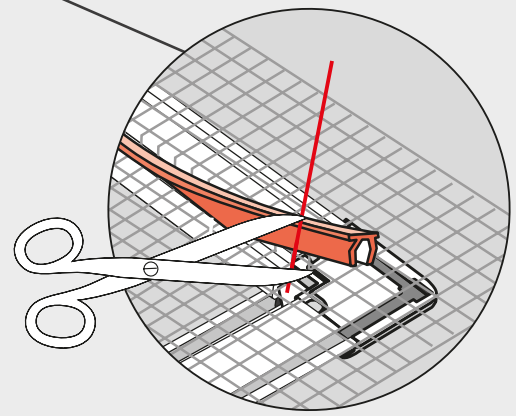
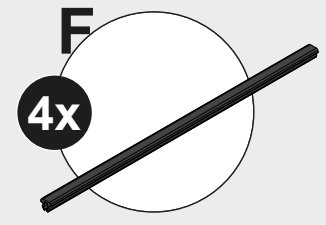
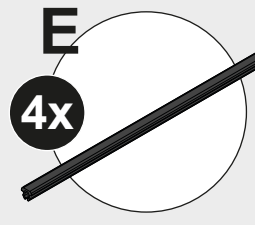
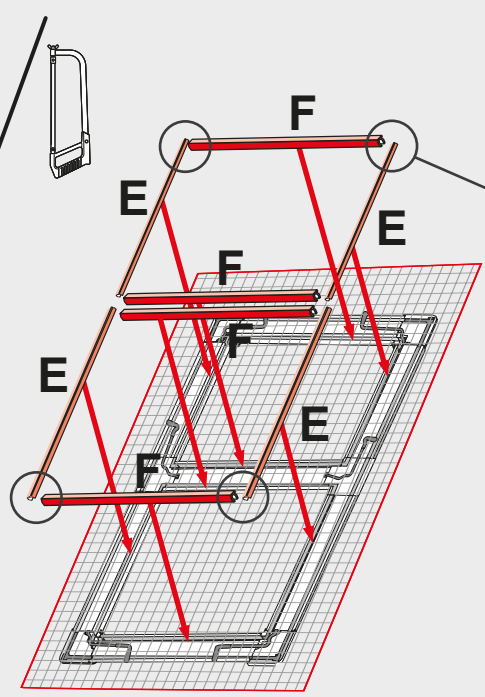
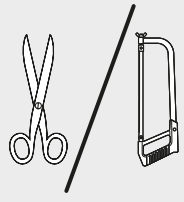
i



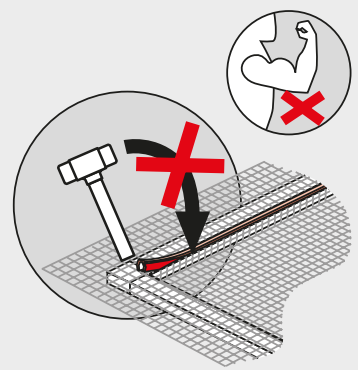
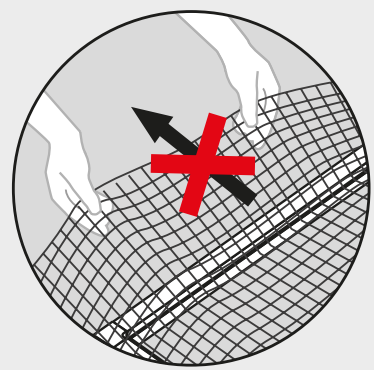
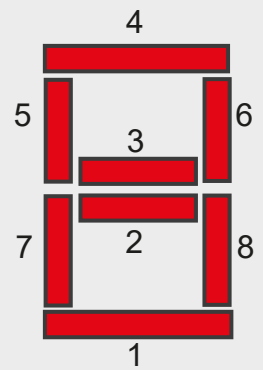
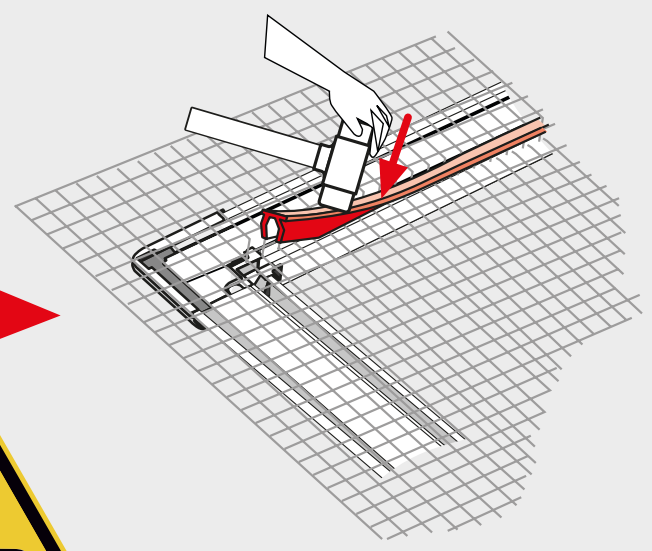
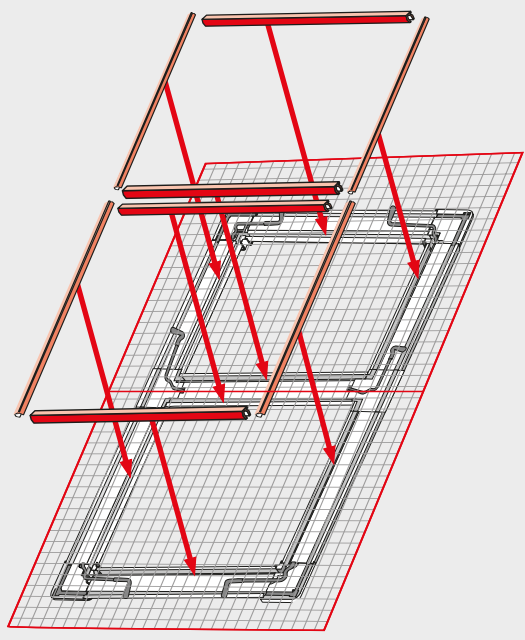
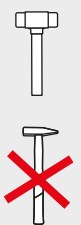


6 → 21

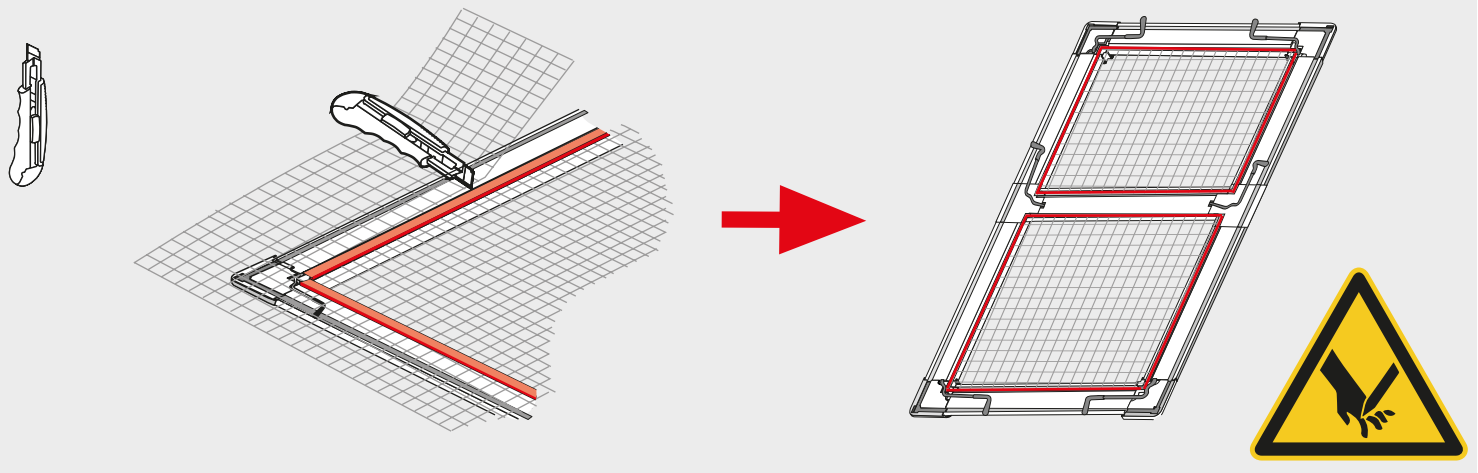
11



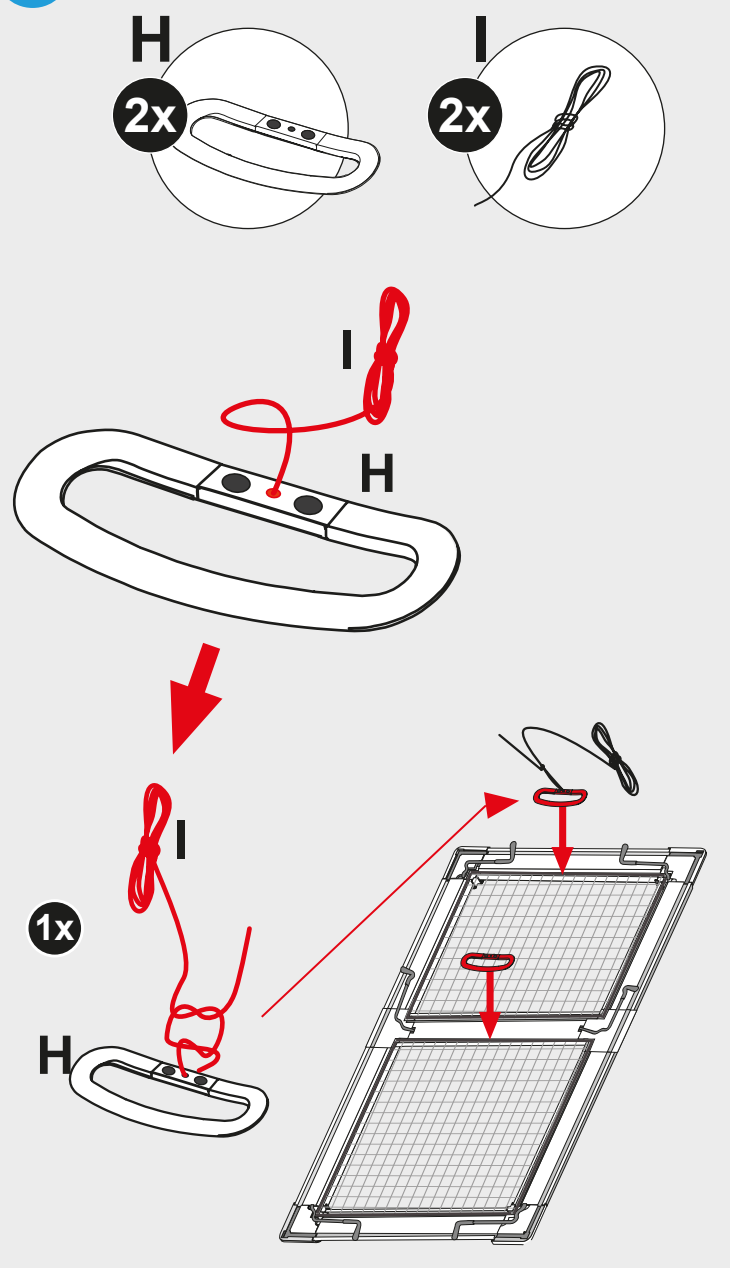
12



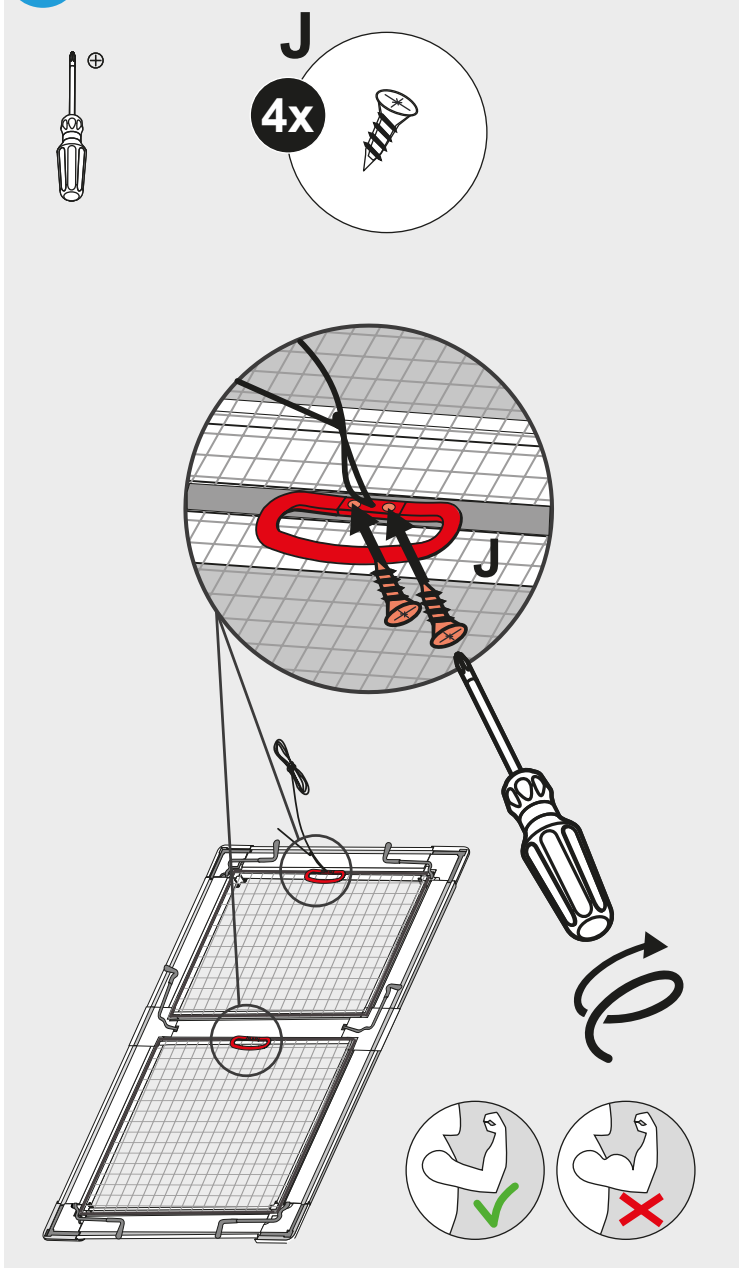
13



14

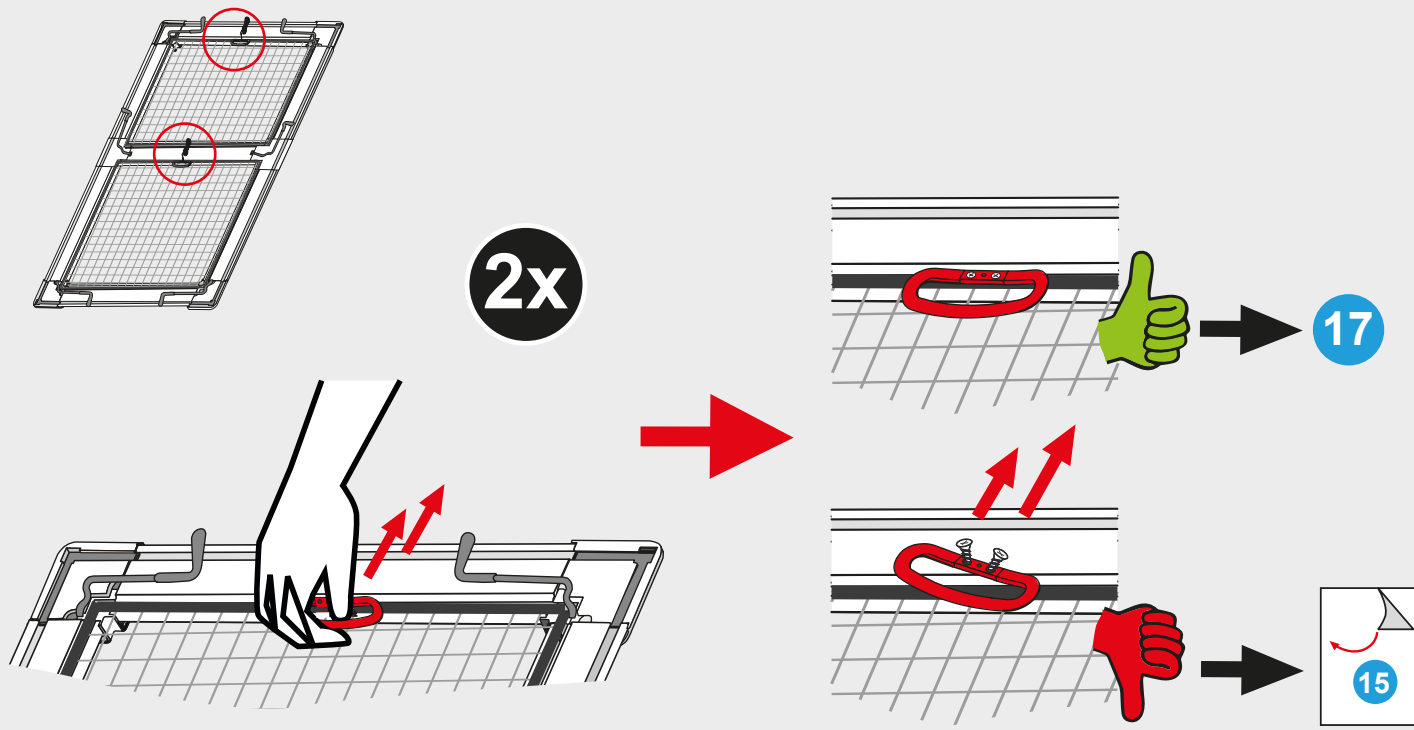


15

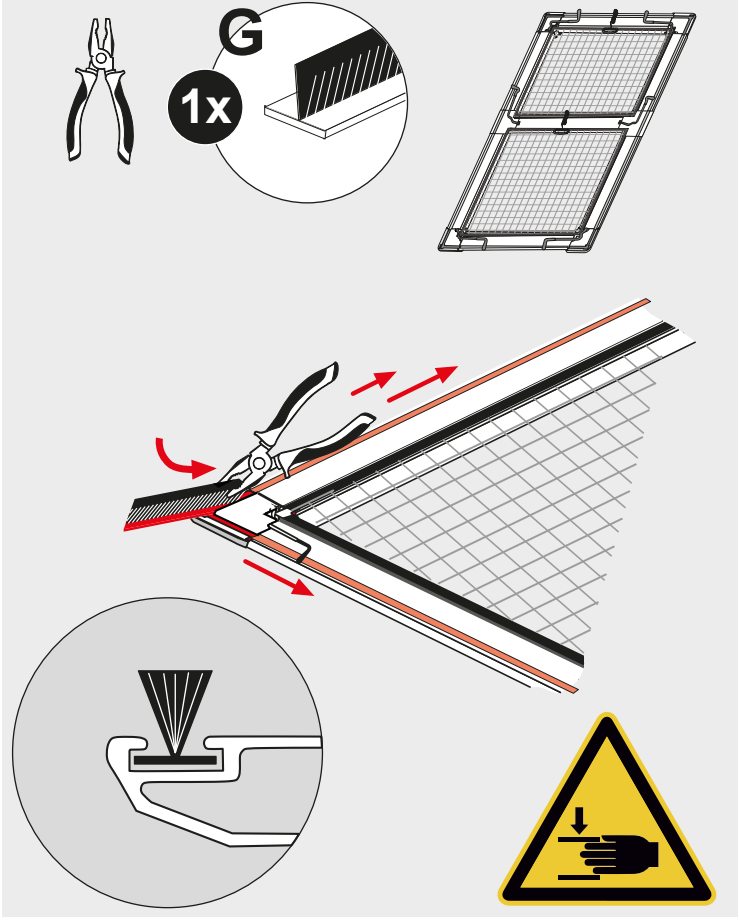




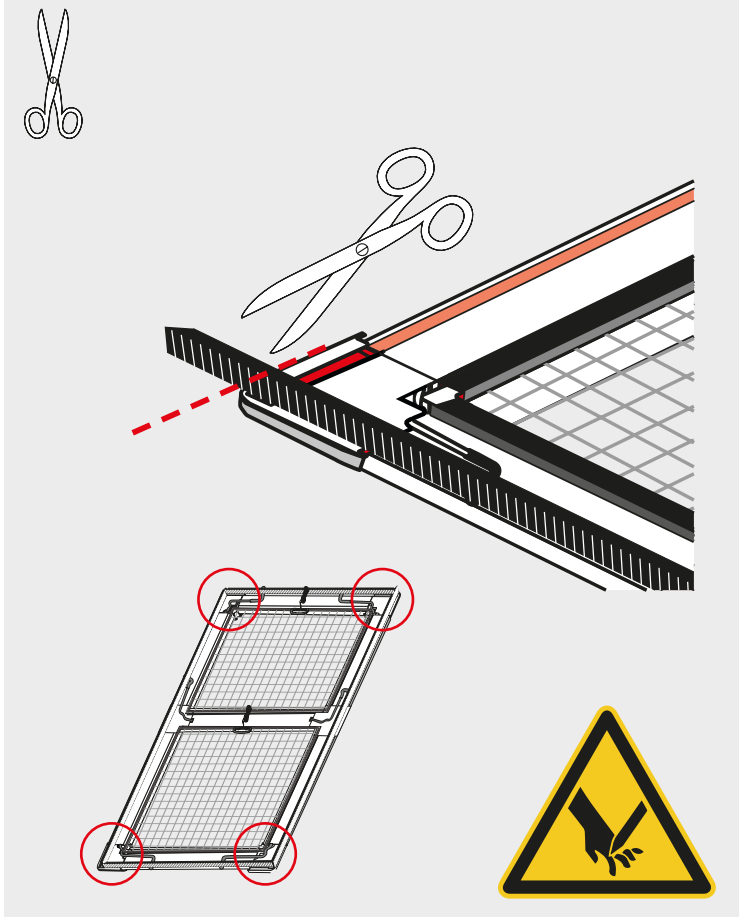
16



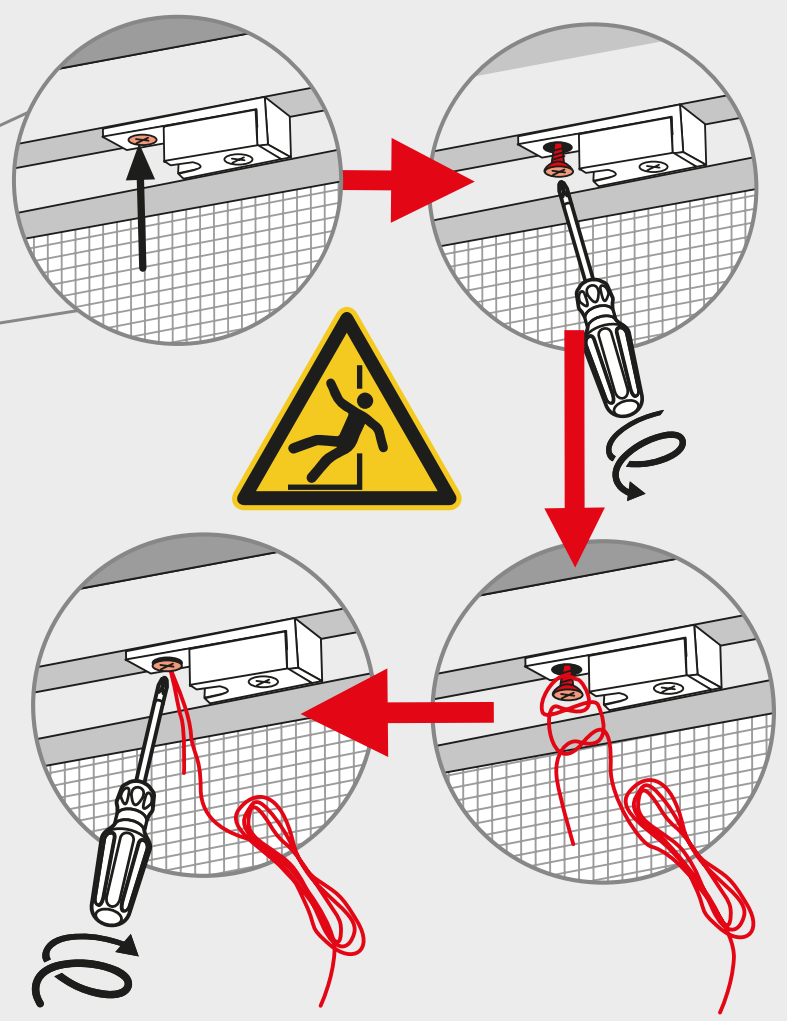
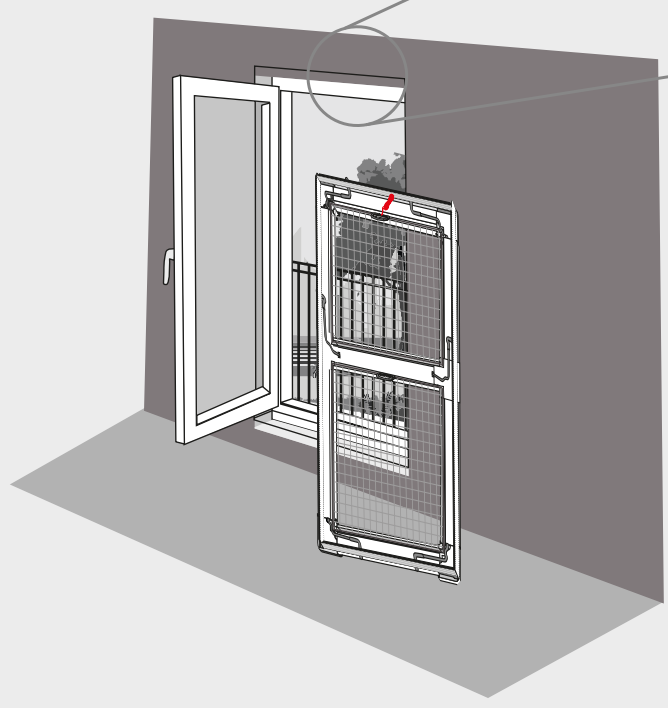
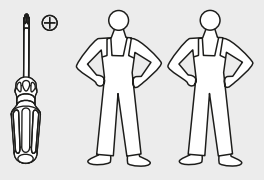
17



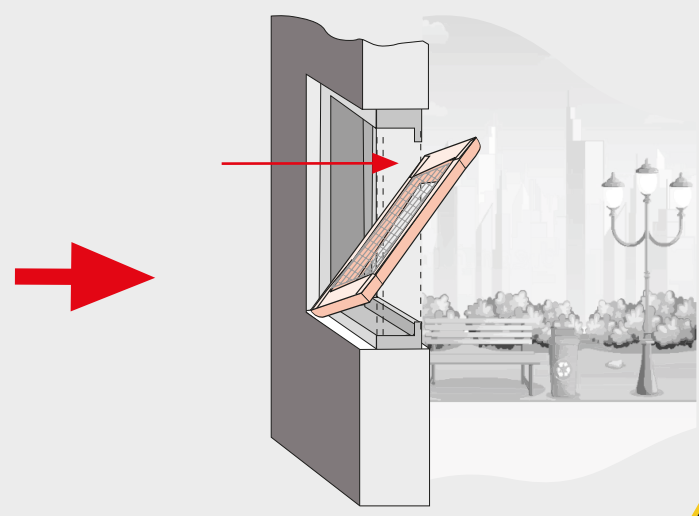
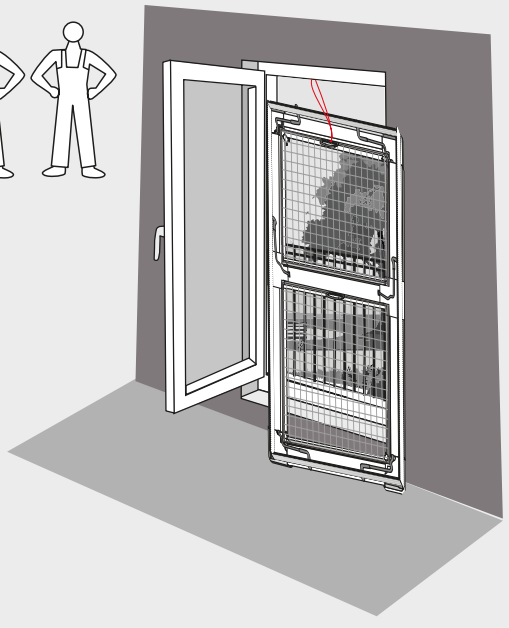
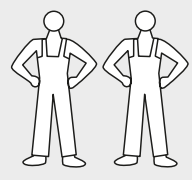
18

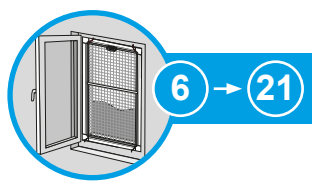


19

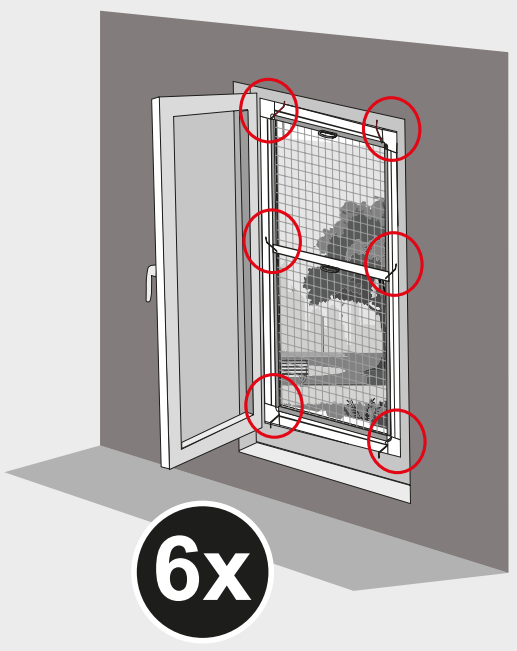
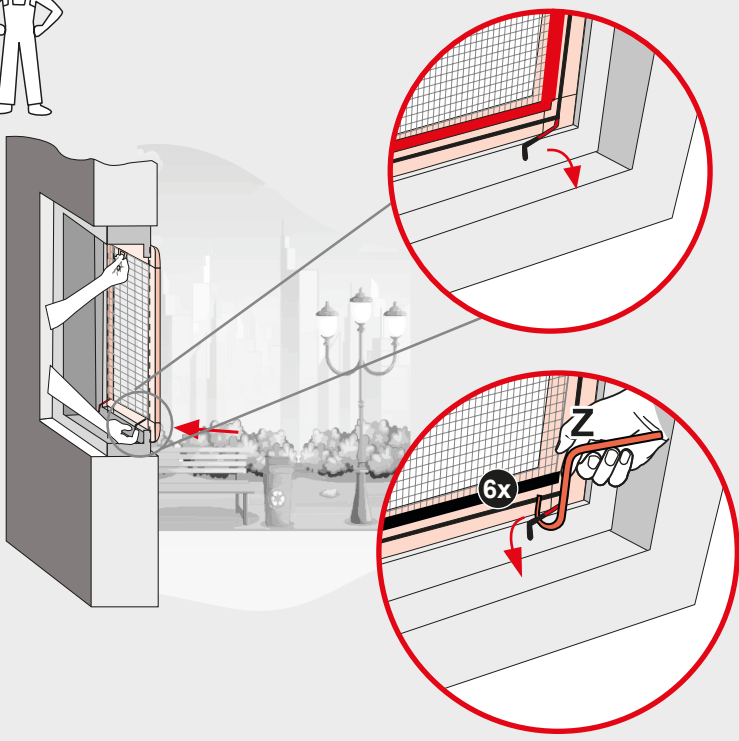
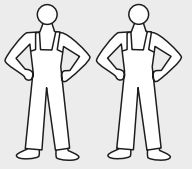


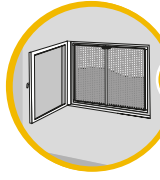
20





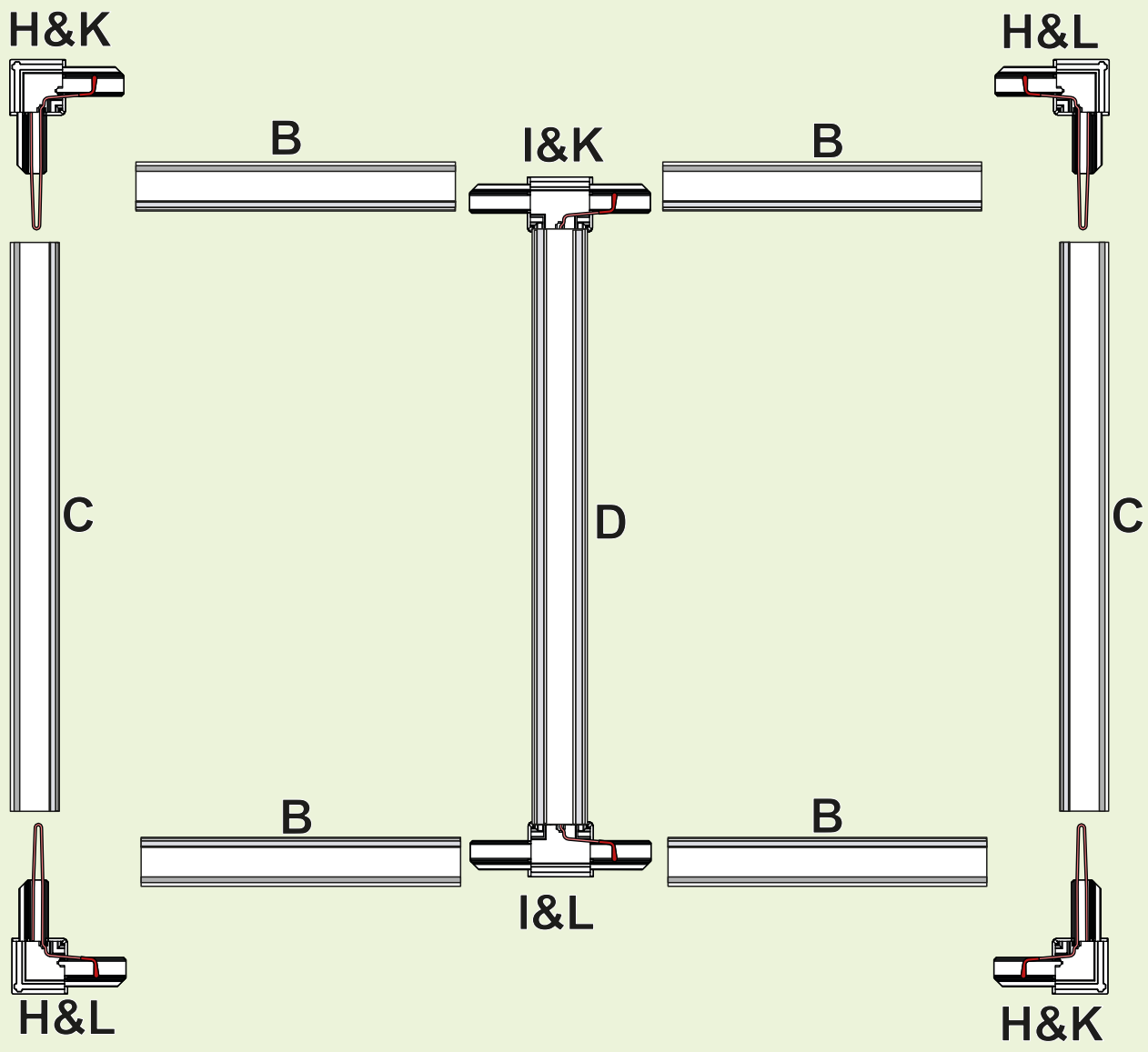
21

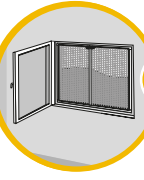




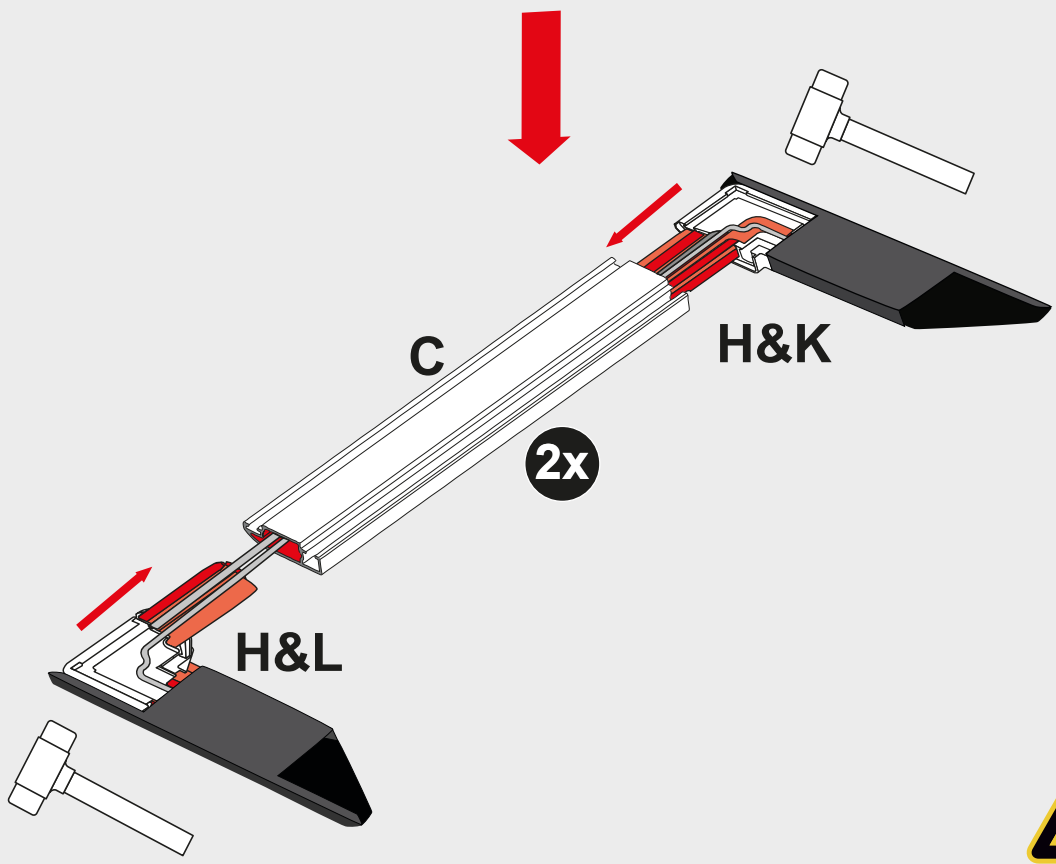
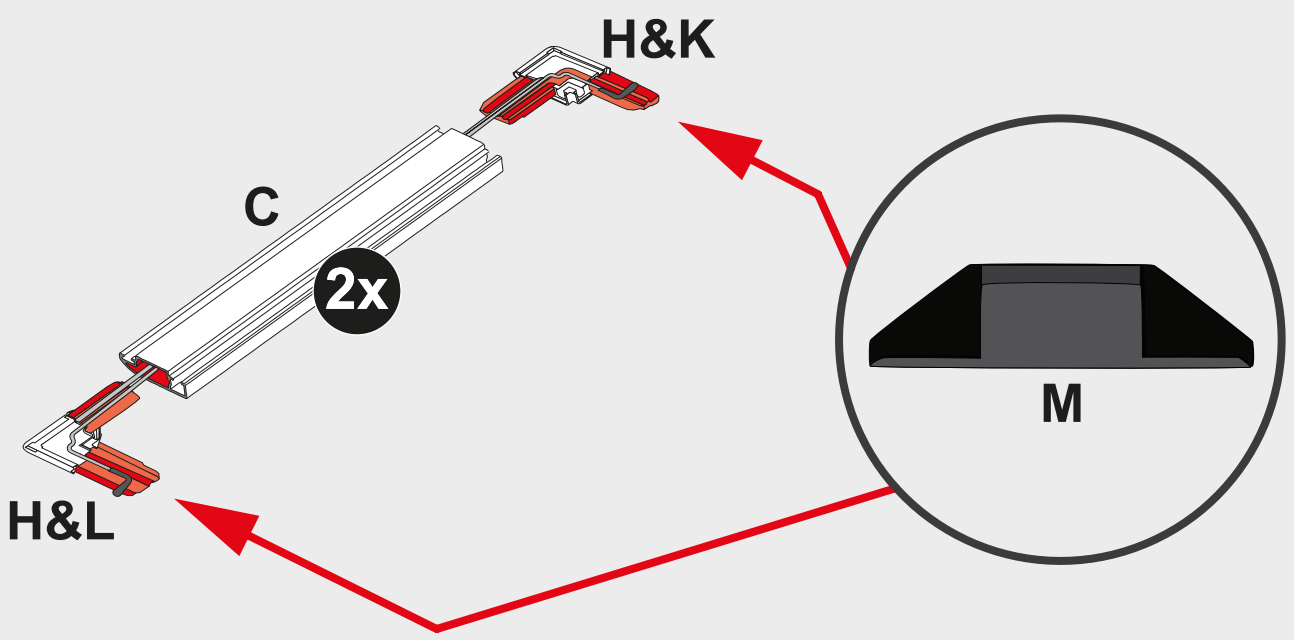
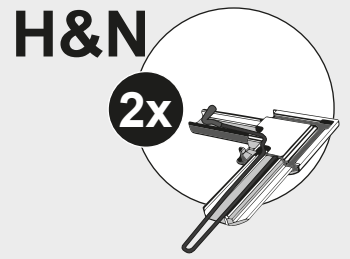
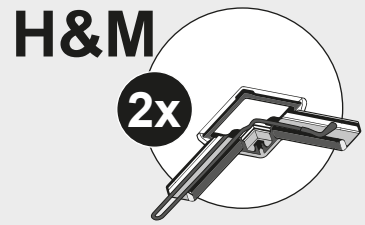
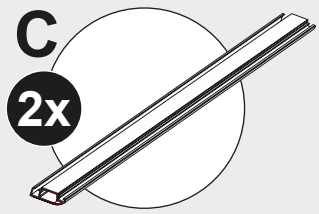
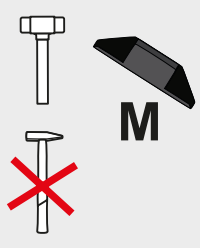
22 → 37

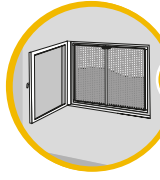
i



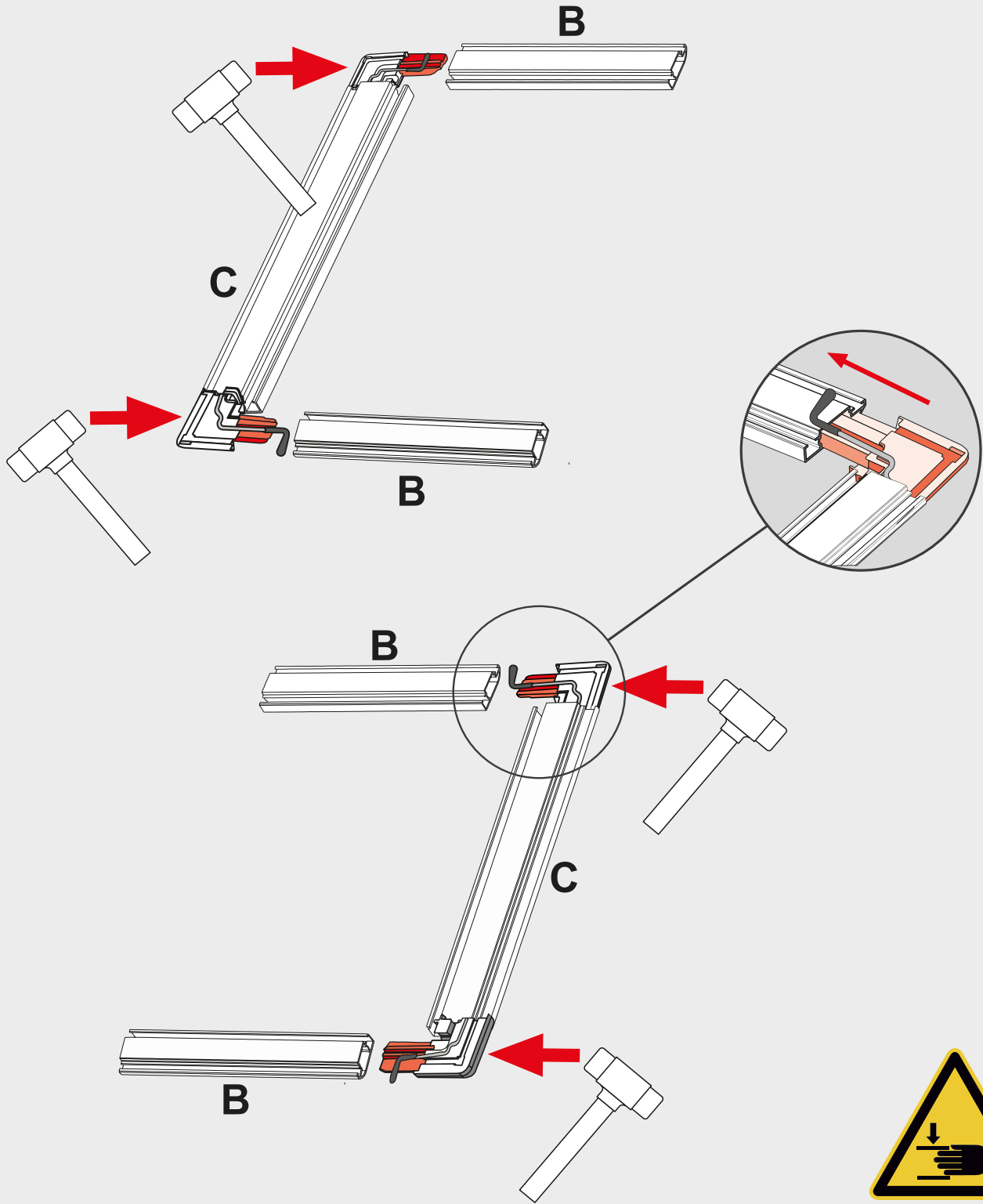
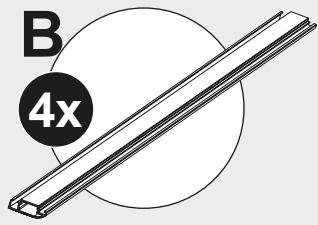
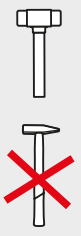


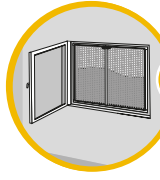
22





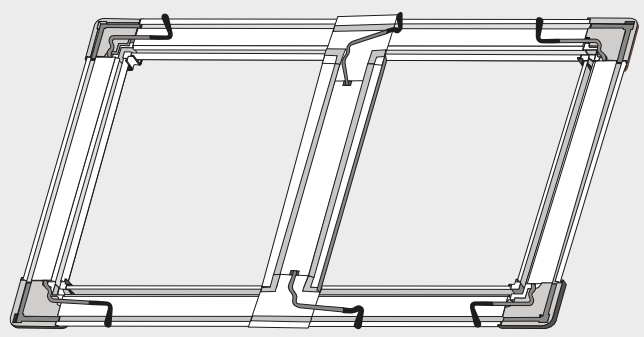
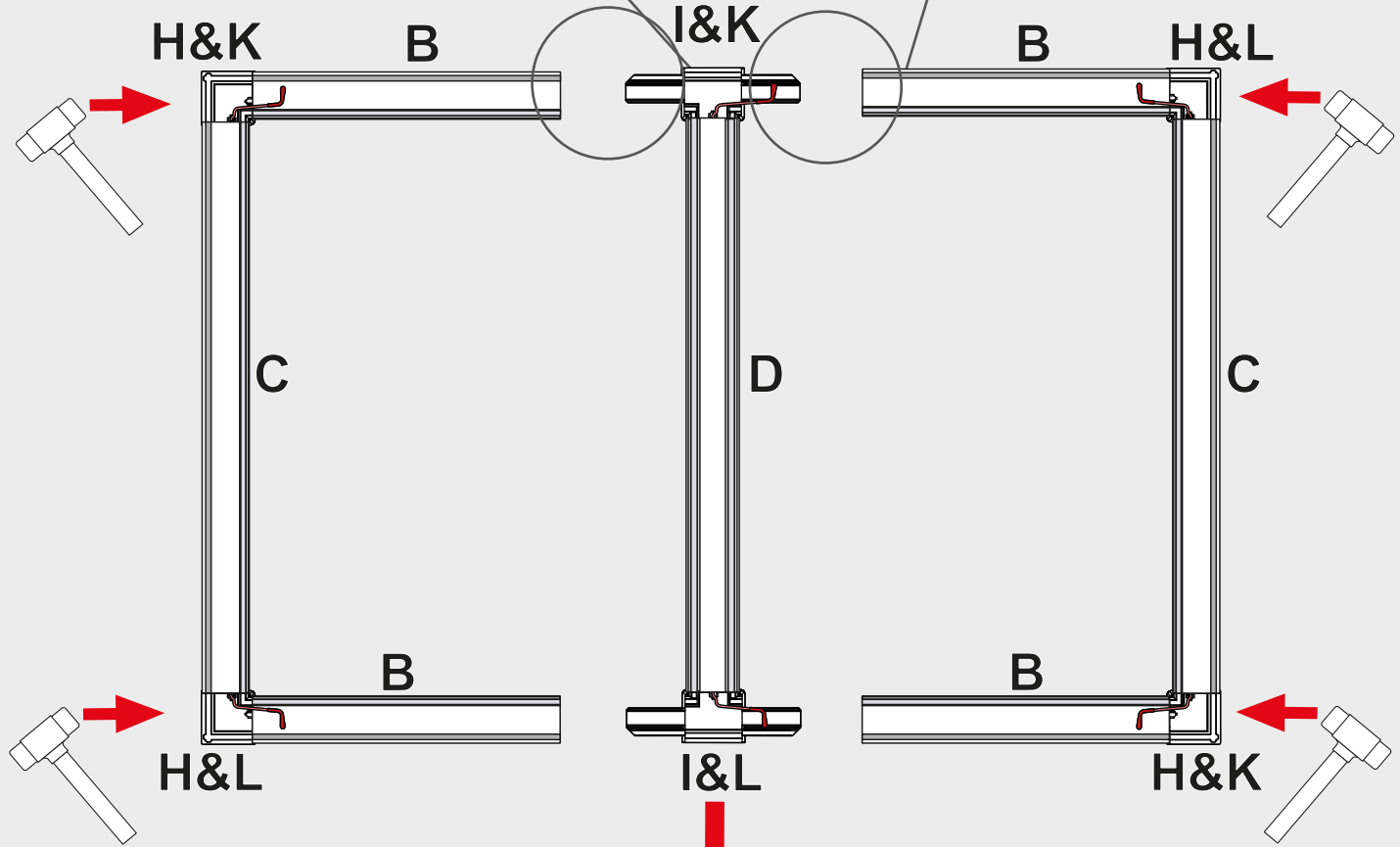
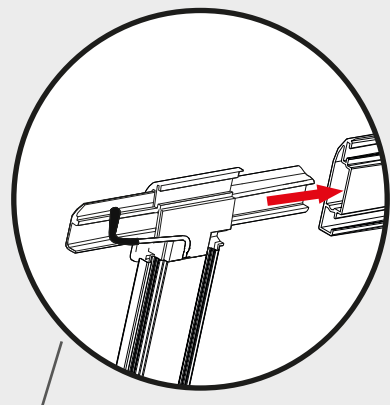
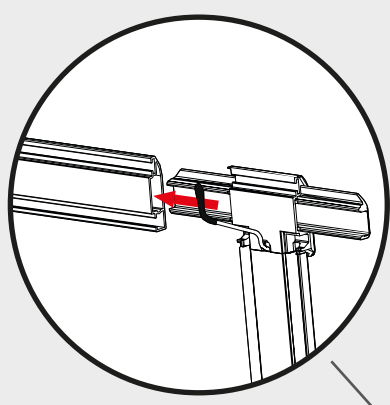
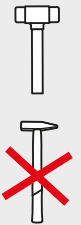
23



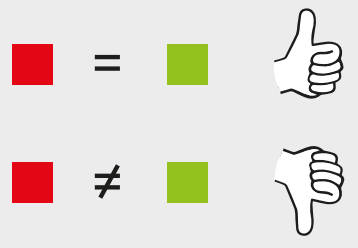
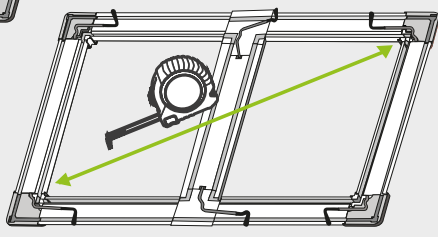
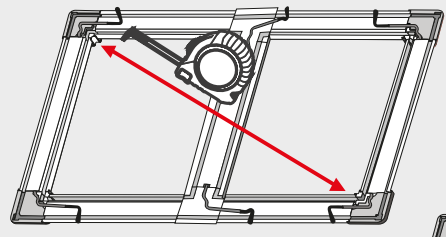
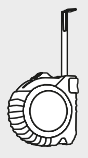


22 → 37

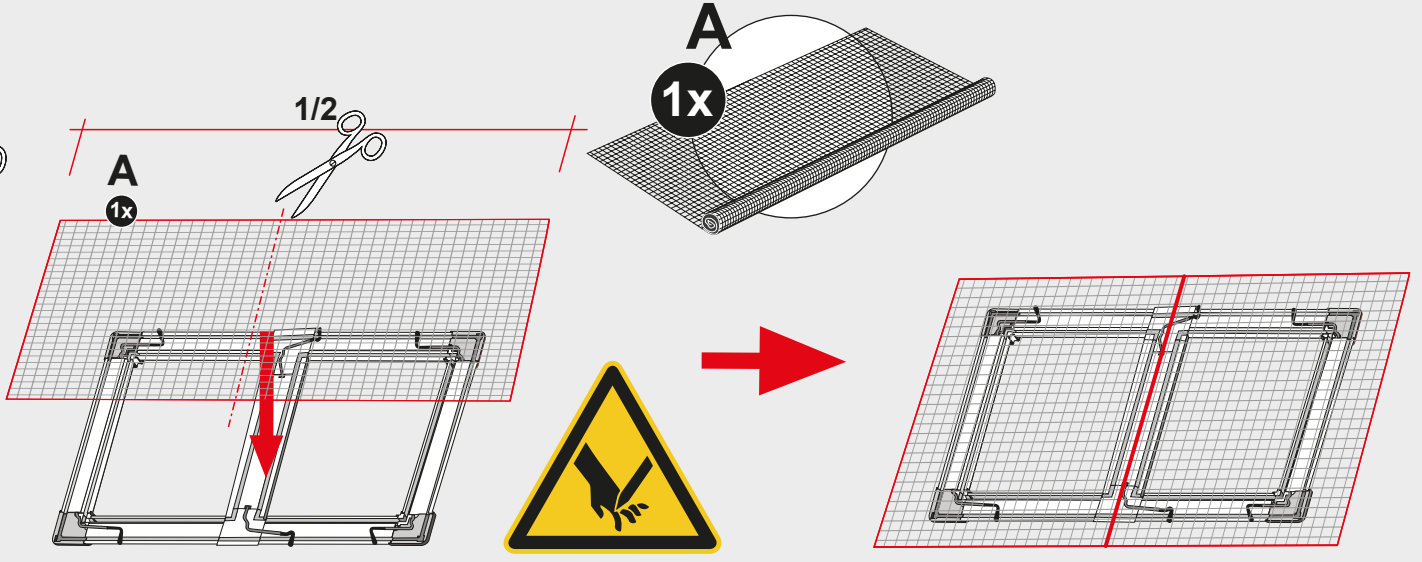
24



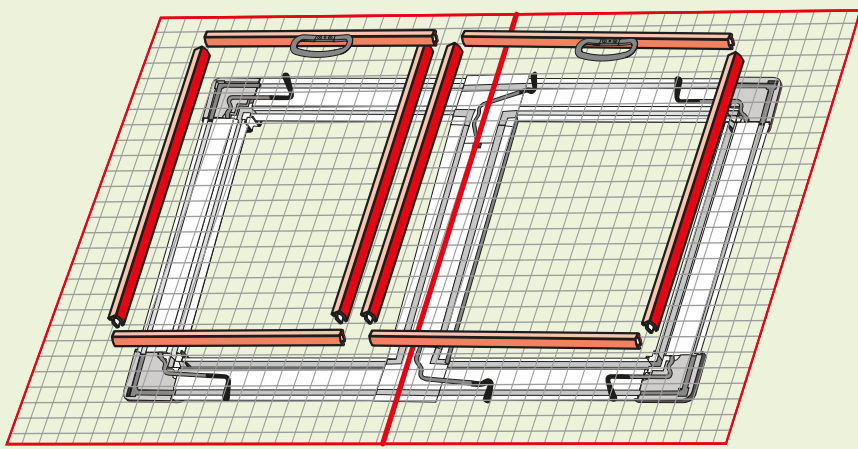
25



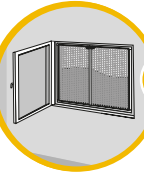
26



i

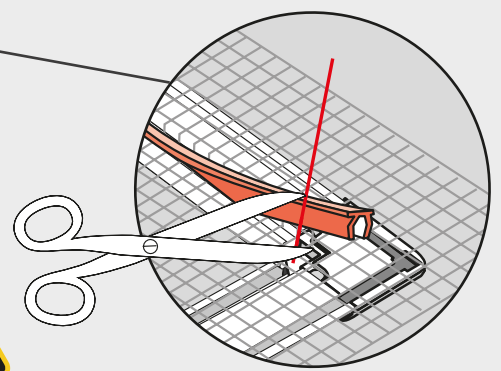
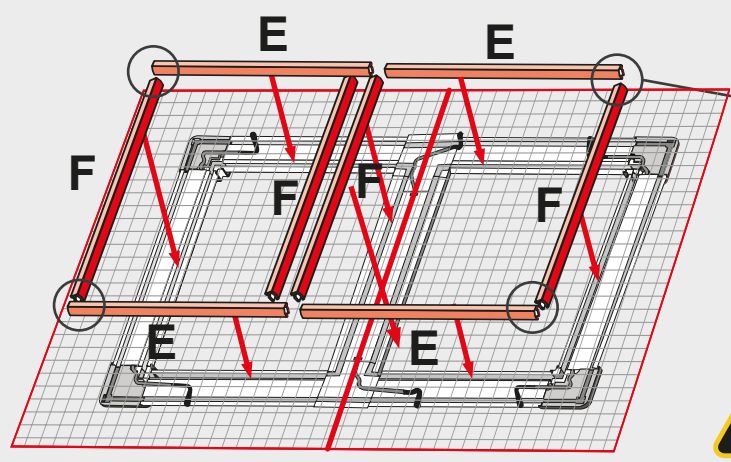
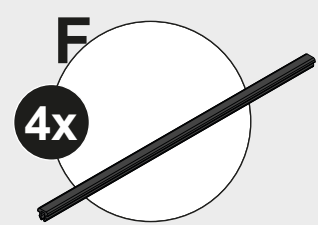
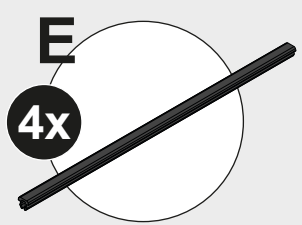
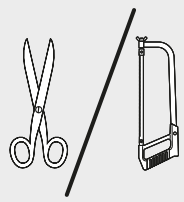




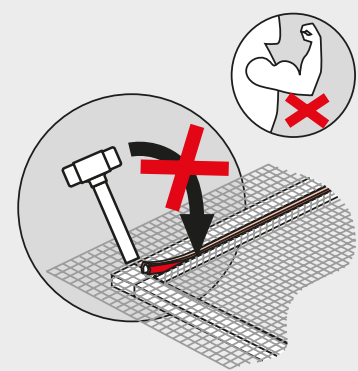
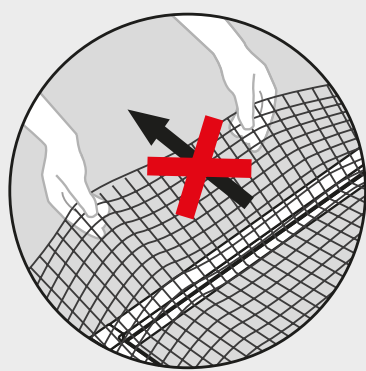
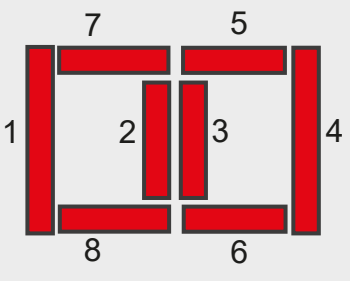
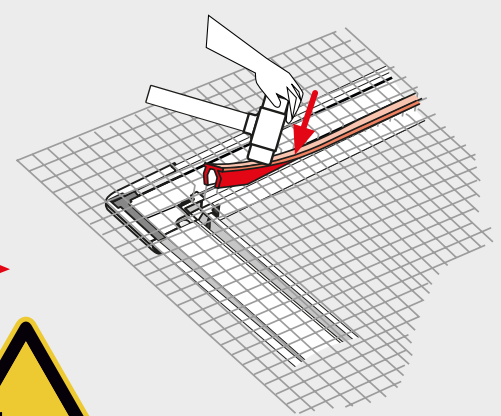
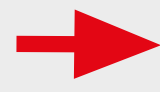
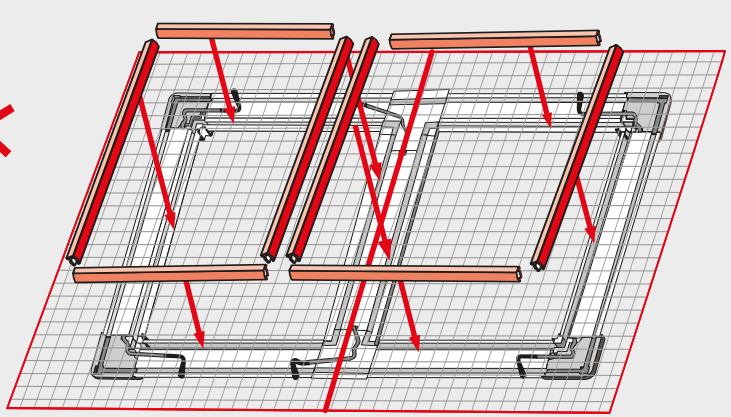


22 → 37

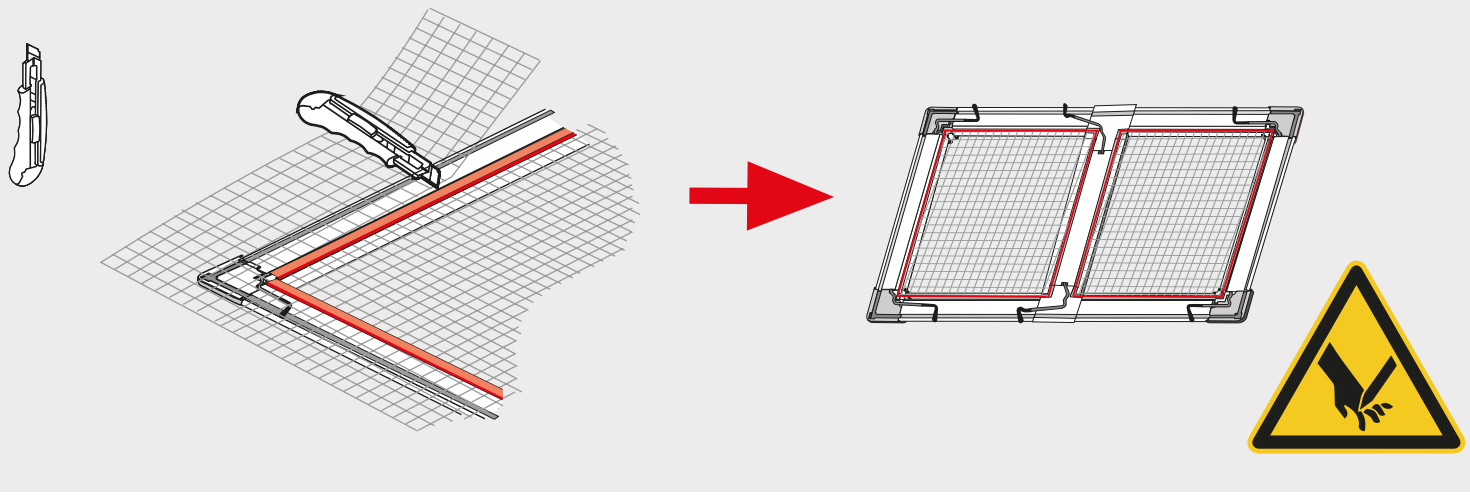
27



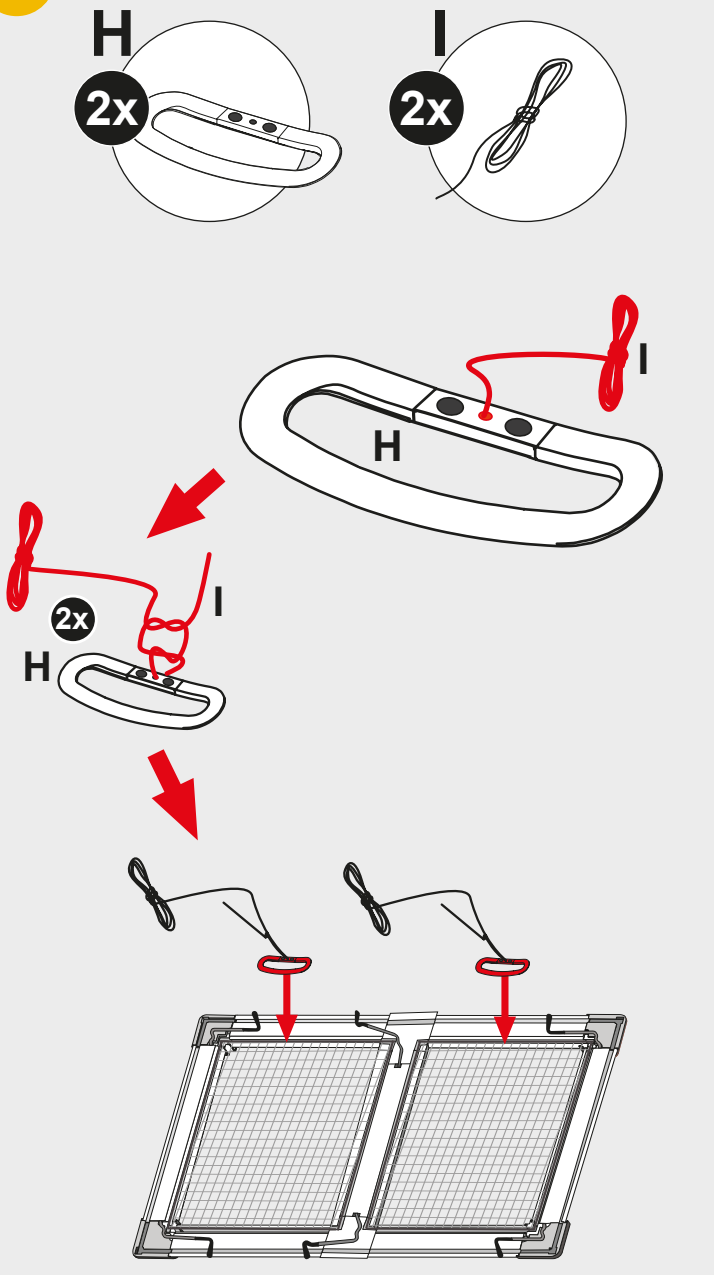
28



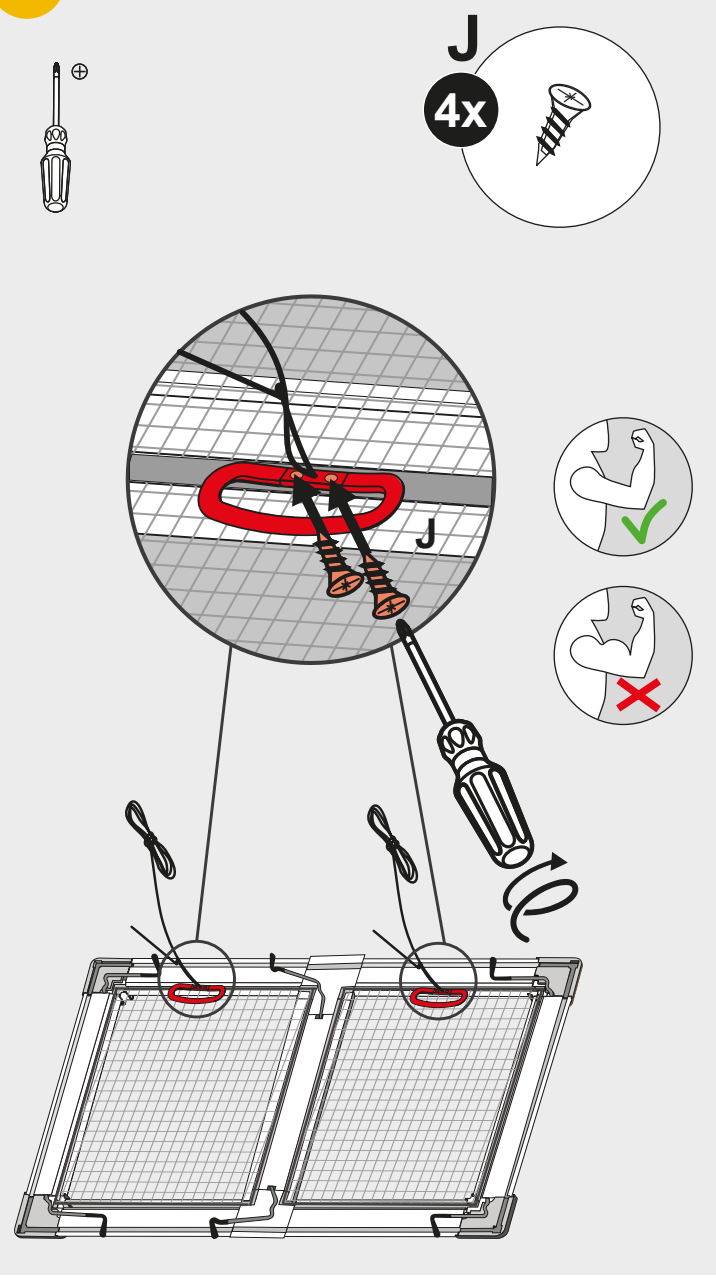
29

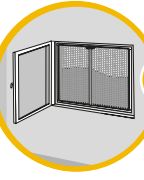


30



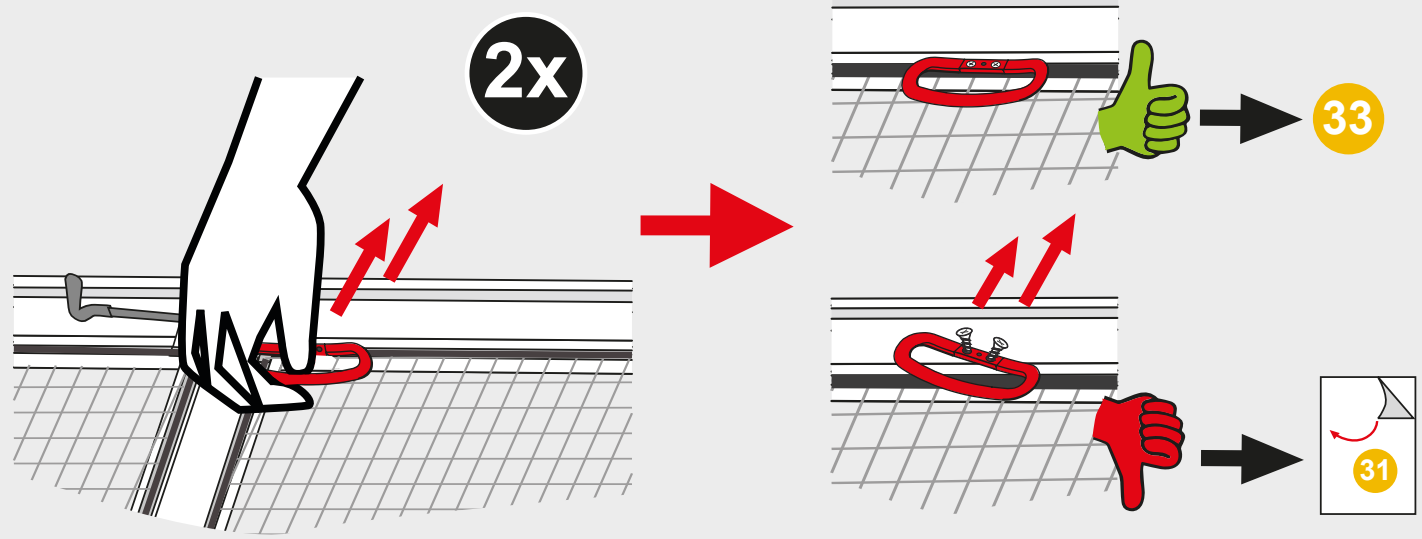
31



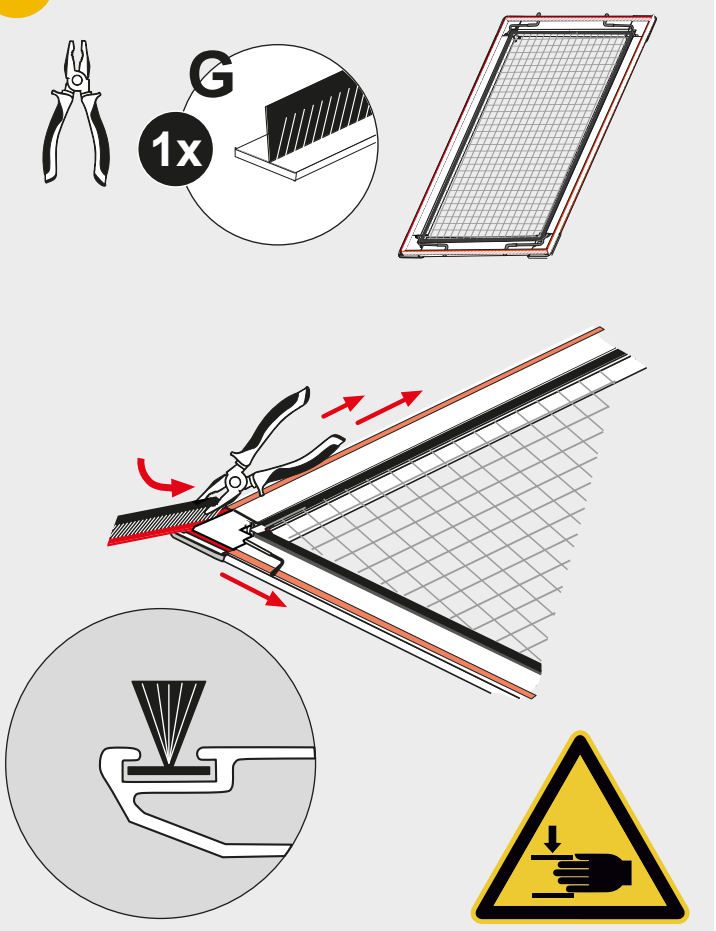


22 → 37

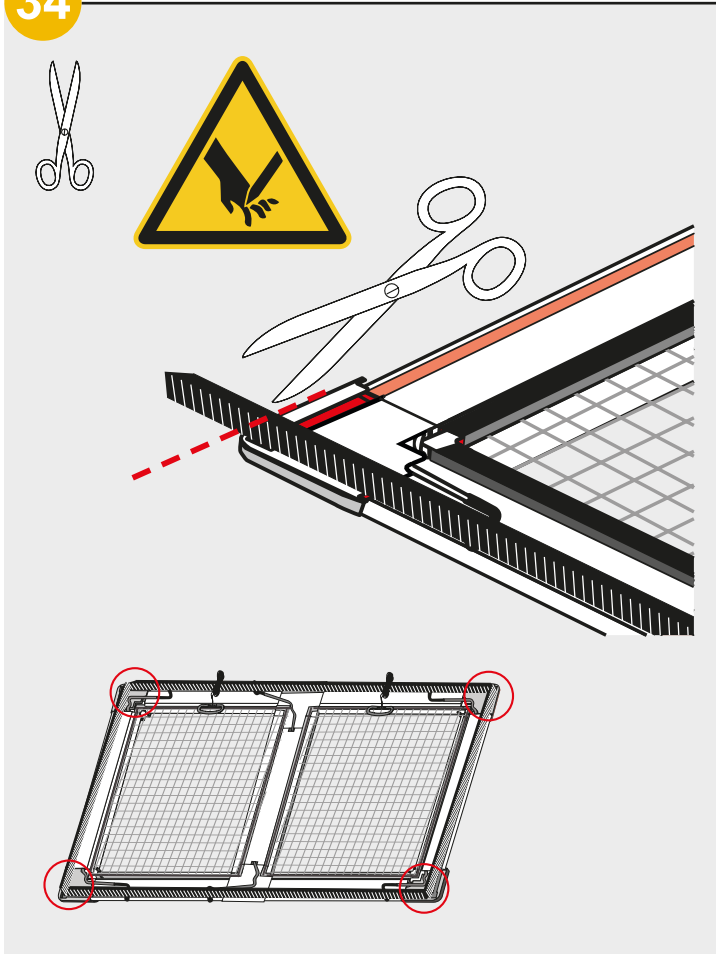
32



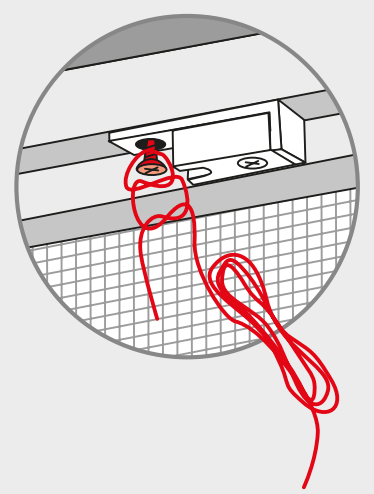
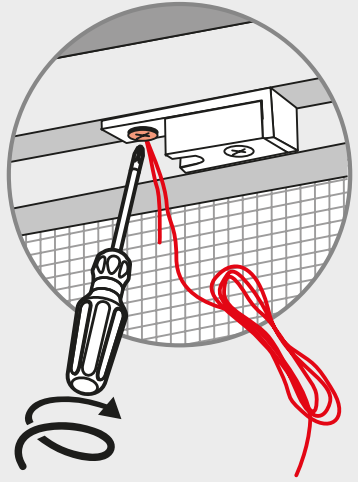
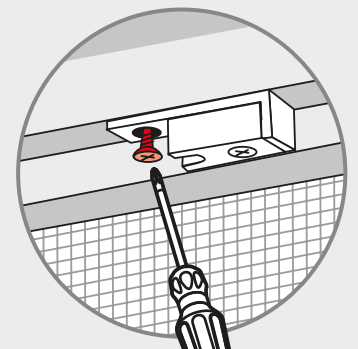
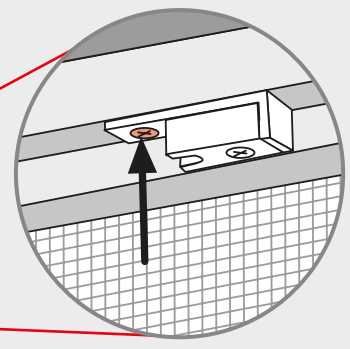
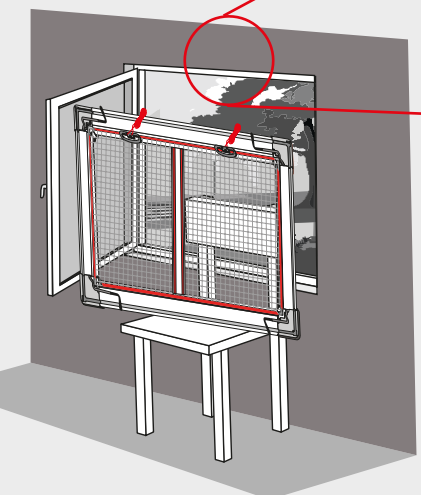
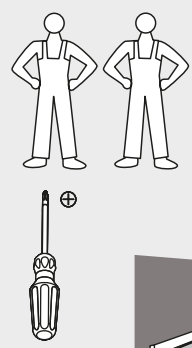
33



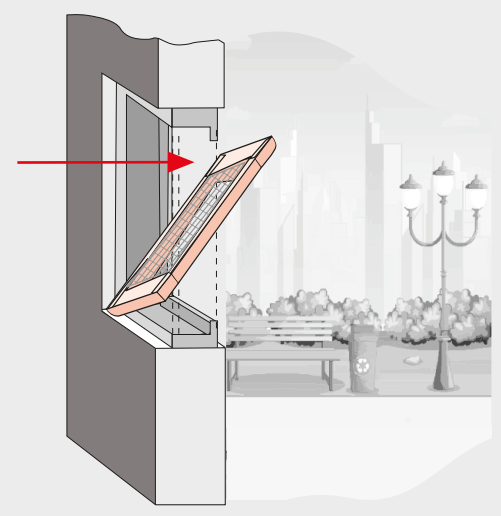
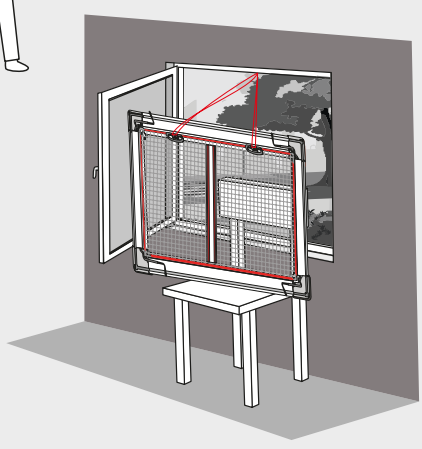
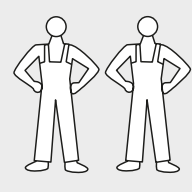
34



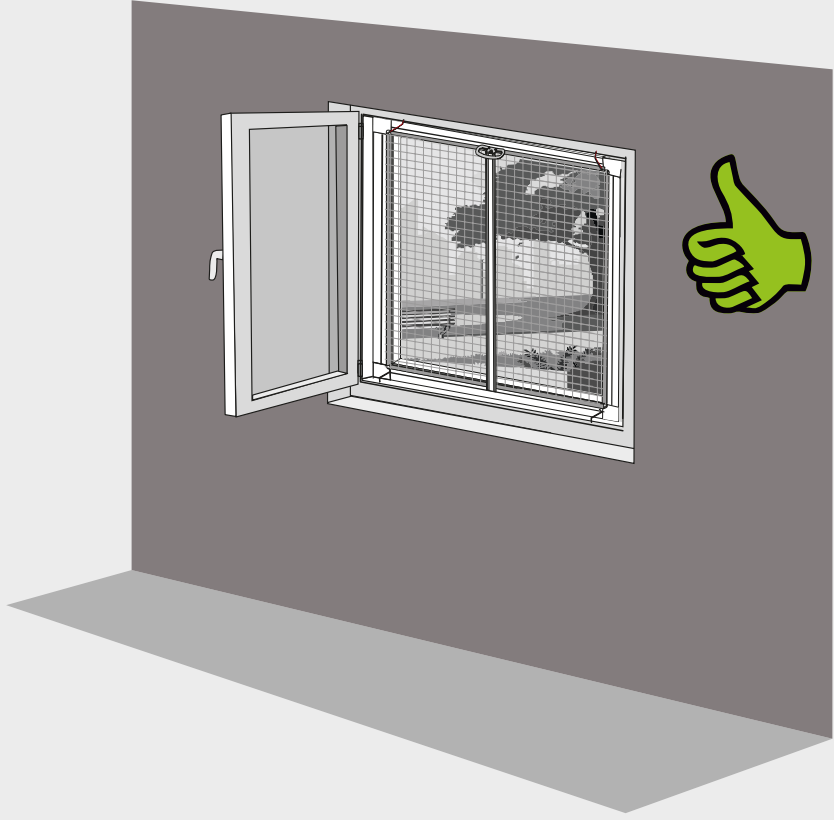
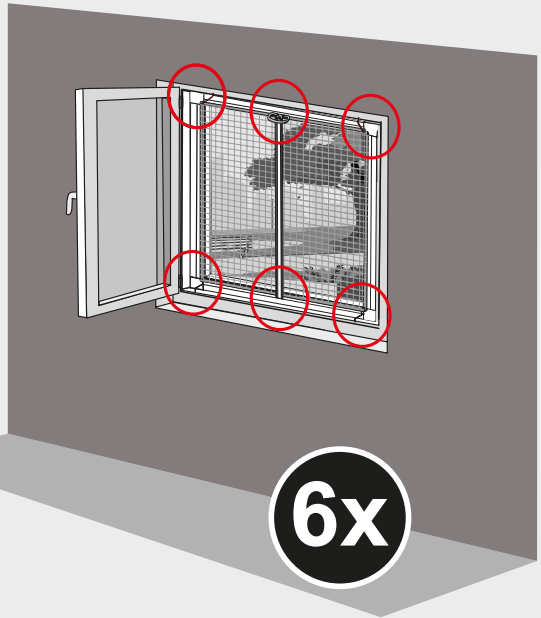
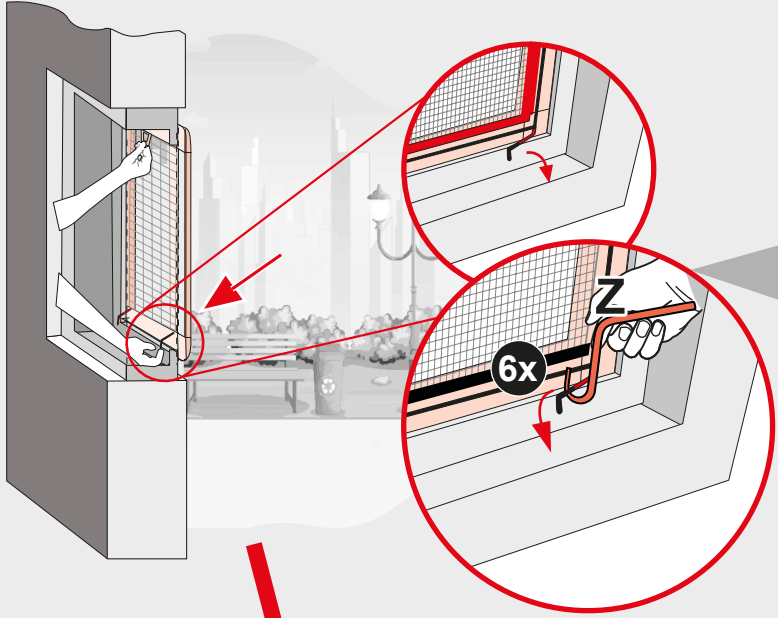
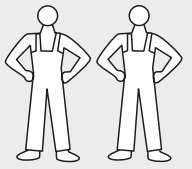
35



36



37



FR Si vous imprimez ce document, pensez à le trier !



**LE TRI**  
**+ FACILE**

