



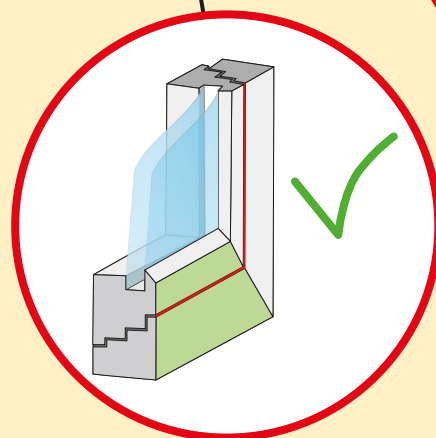
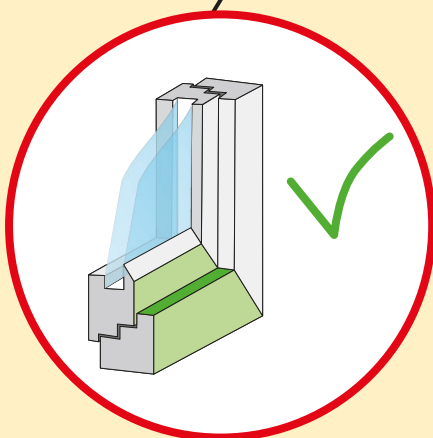
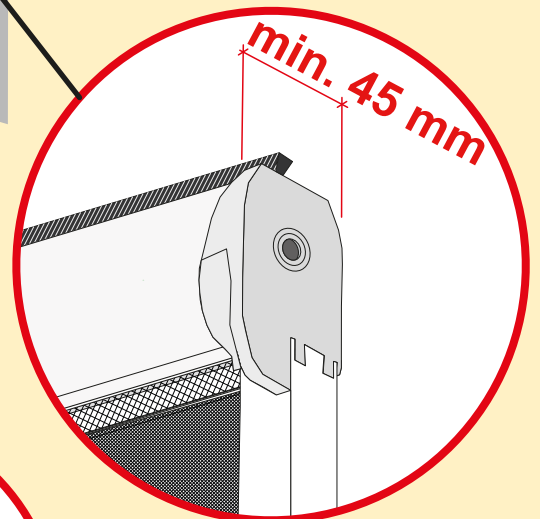
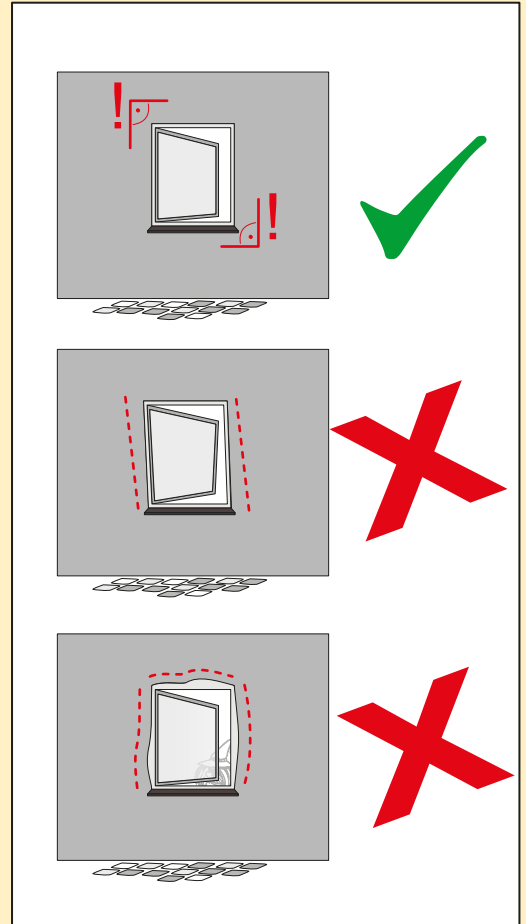
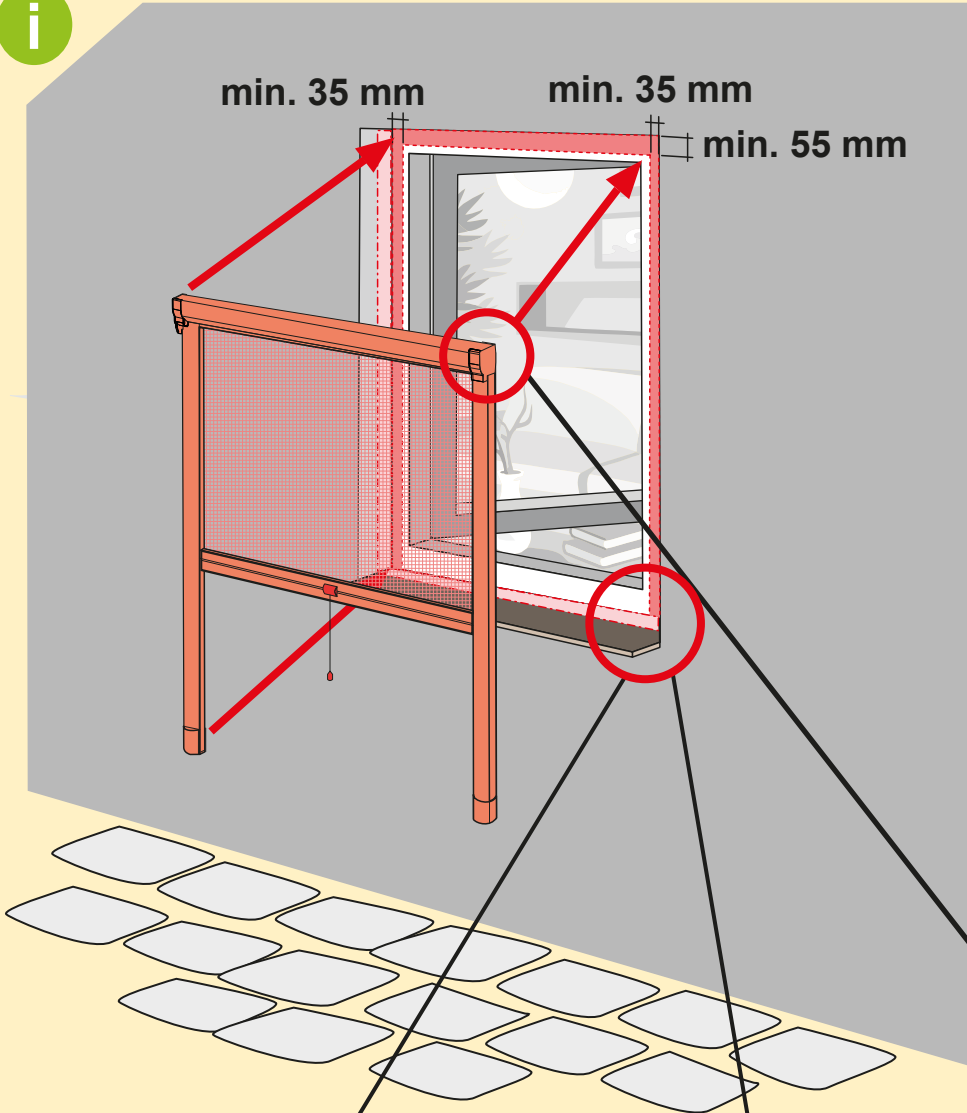
1x min. 1.5h

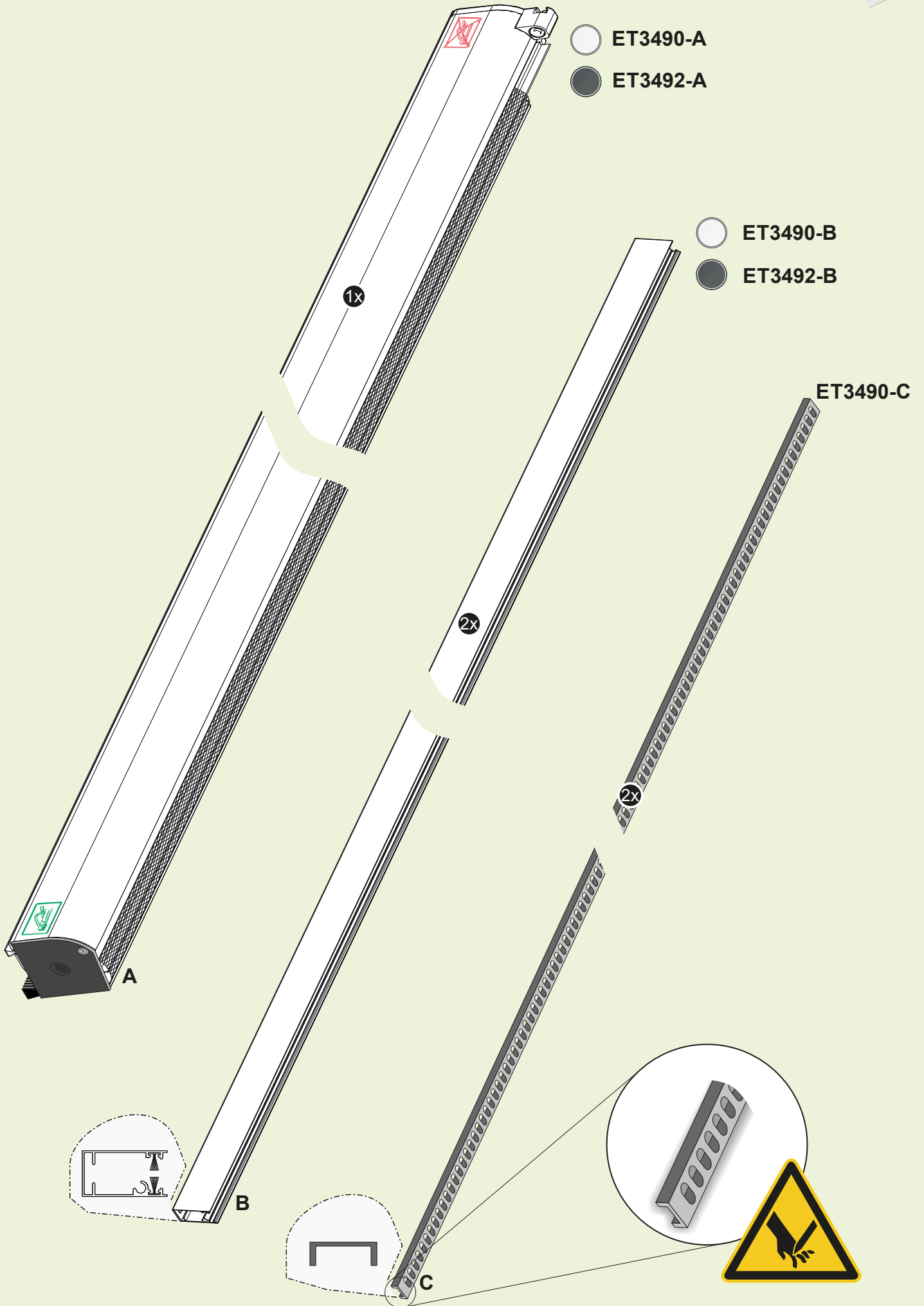
 A horizontal row of icons representing tools and resources. From left to right: a house icon with tools inside; a measuring tape; a hammer with a red 'X' over it; a hand saw; a pencil; a screwdriver; a pair of scissors; a pair of pliers; a worker icon; a worker icon with a tool; and a clock icon.

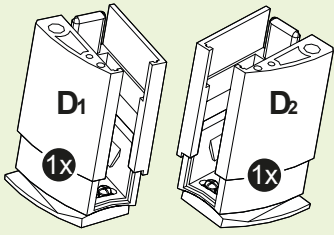
A flow diagram illustrating how to find information. It starts with a worker icon and three question marks. An arrow points to a barcode on a vertical strip with the text 'Art. xxx-xxxx'. From the barcode, arrows point to a computer monitor, a smartphone, and a mobile phone, all displaying 'www.'. Below these, an arrow points to a hand holding a smartphone with a QR code. Finally, arrows point to a green information icon and a green video play button.



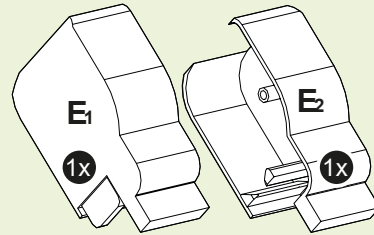
i



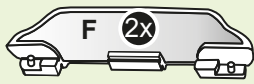




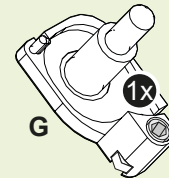
- ET3490-D_{1/2}
- ET3492-D_{1/2}



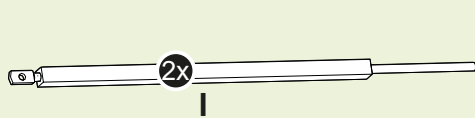
- ET3490-E_{1/2}
- ET3492-E_{1/2}



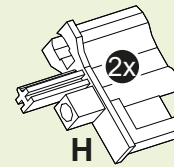
- ET3490-F
- ET3492-F



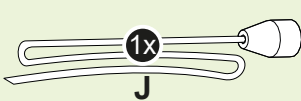
- ET3490-G
- ET3492-G



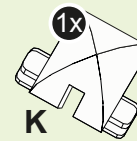
- ET3490-I
- ET3492-I



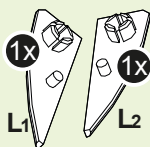
- ET3490-H
- ET3492-H



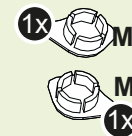
- ET3490-J
- ET3492-J



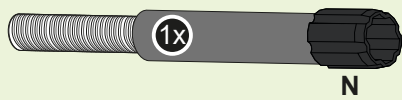
- ET3490-K
- ET3492-K



- ET3490-L_{1/2}
- ET3492-L_{1/2}



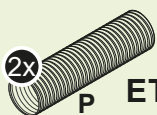
- ET3490-M_{1/2}
- ET3492-M_{1/2}



ET3490-N



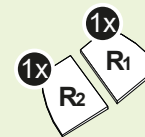
ET3490-O



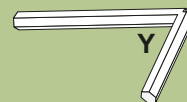
ET3490-P



ET3490-Q



ET3490-R_{1/2}

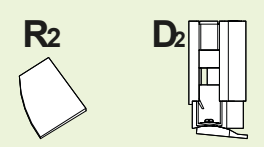
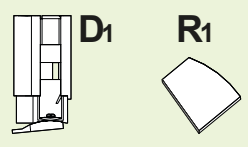
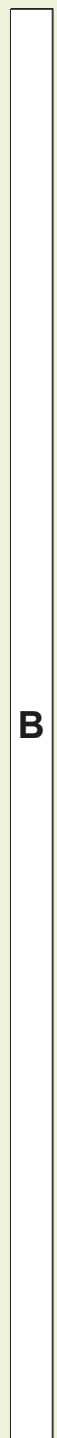
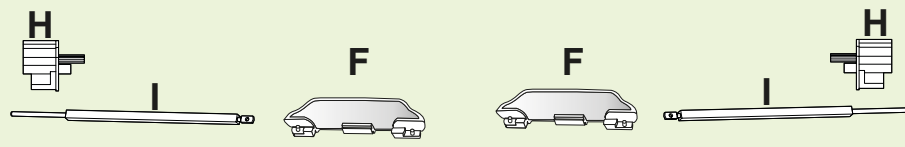
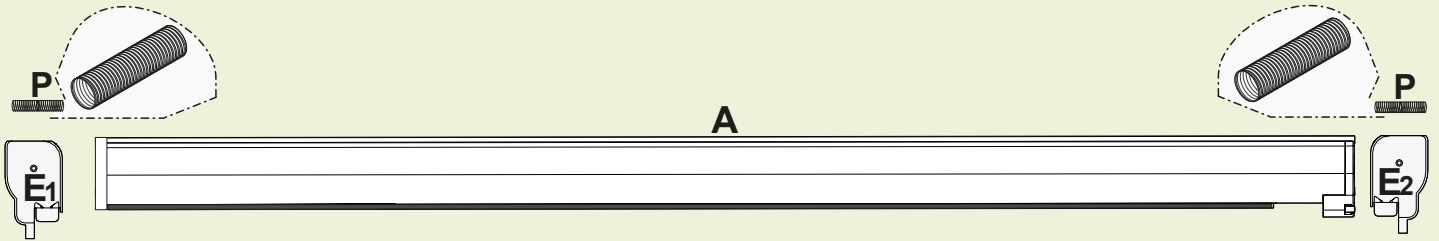


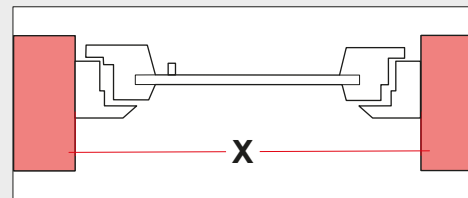
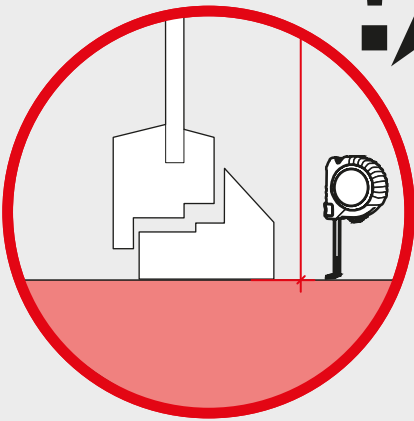
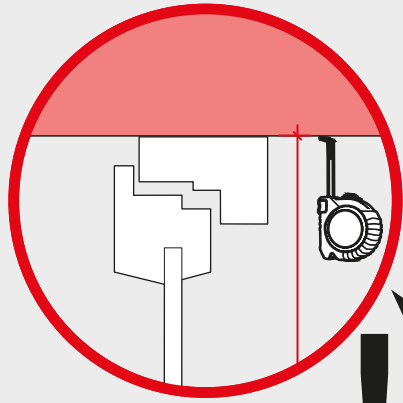
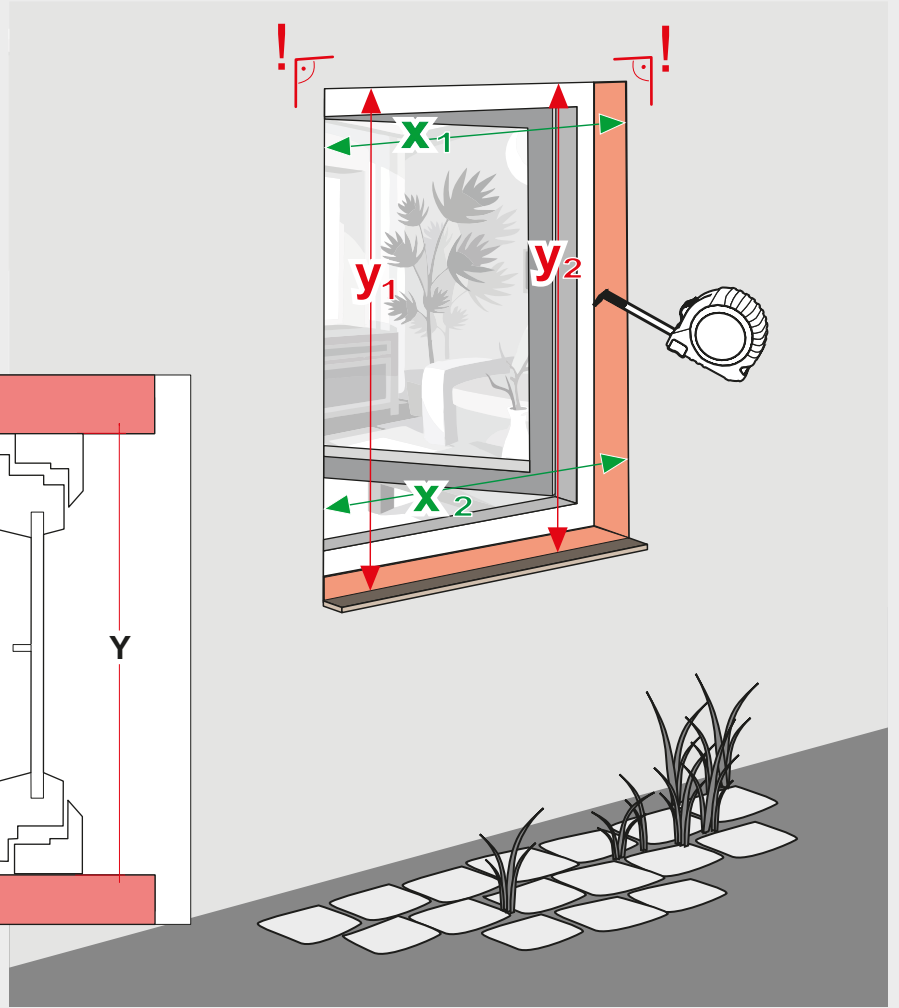
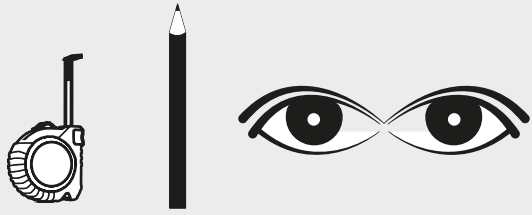
ET3490-Y



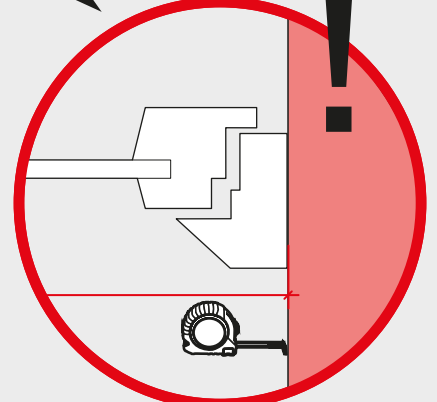
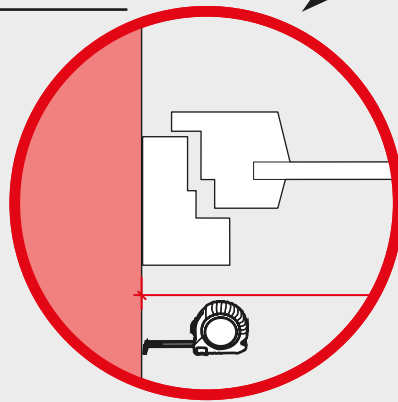
ET3490-Z

i

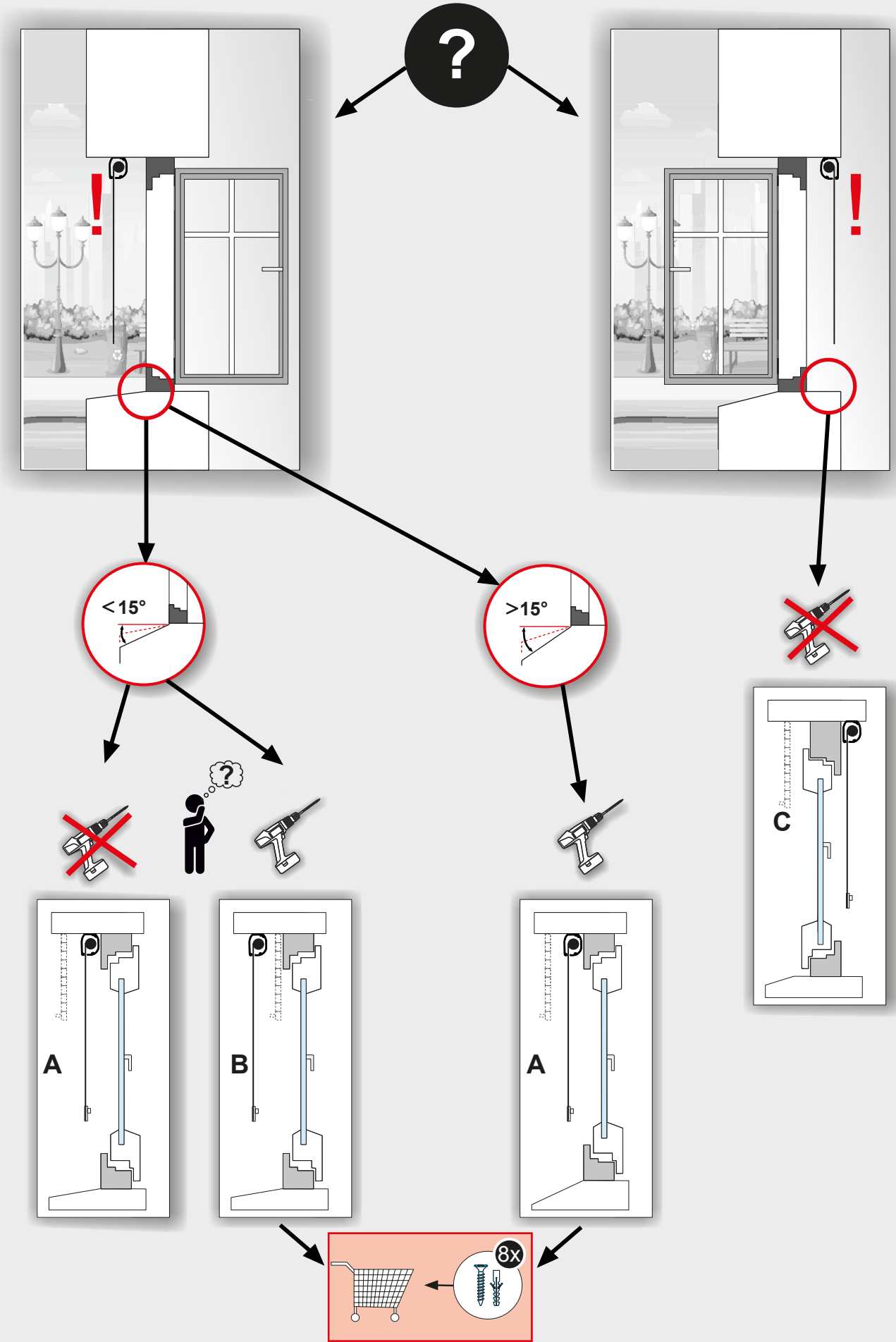




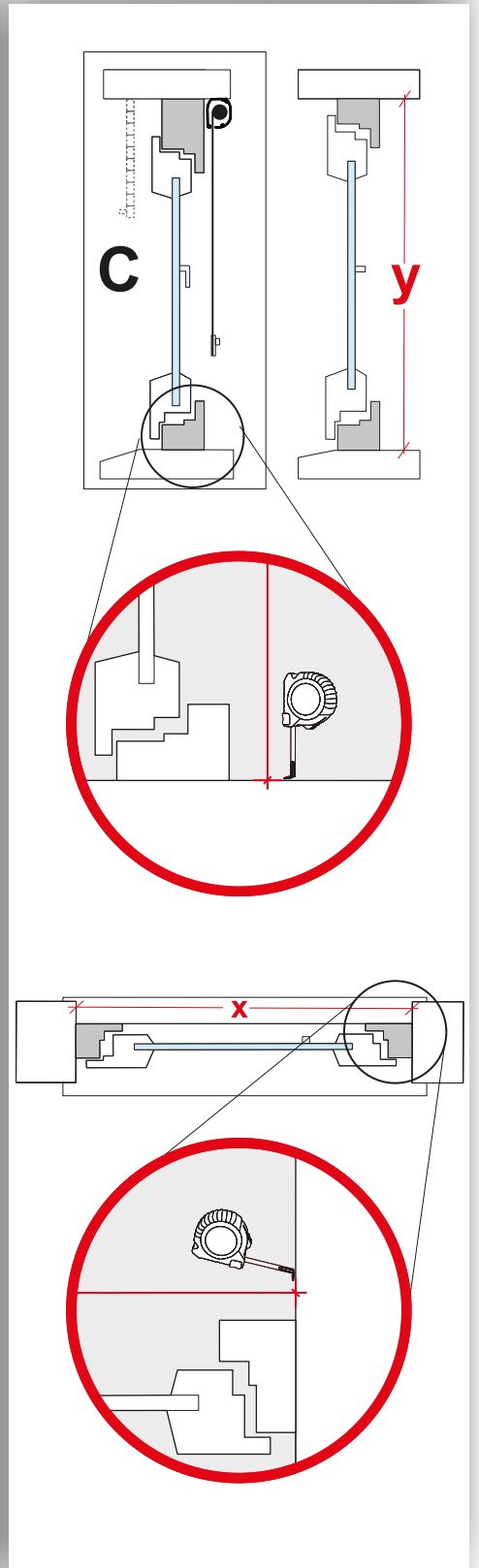
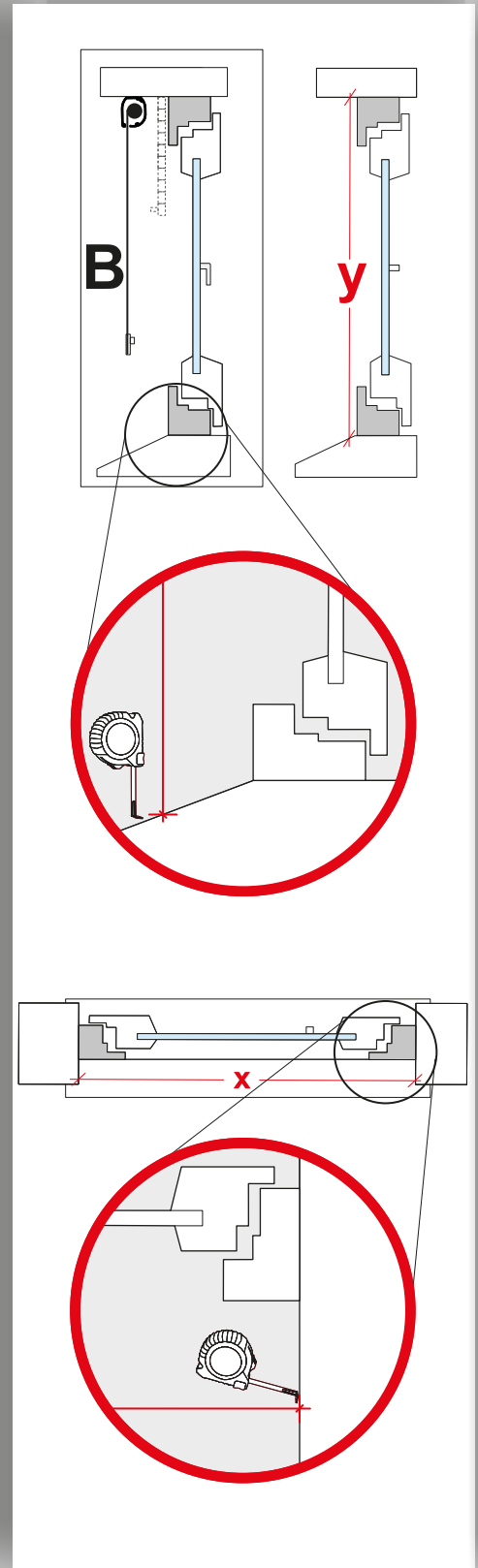
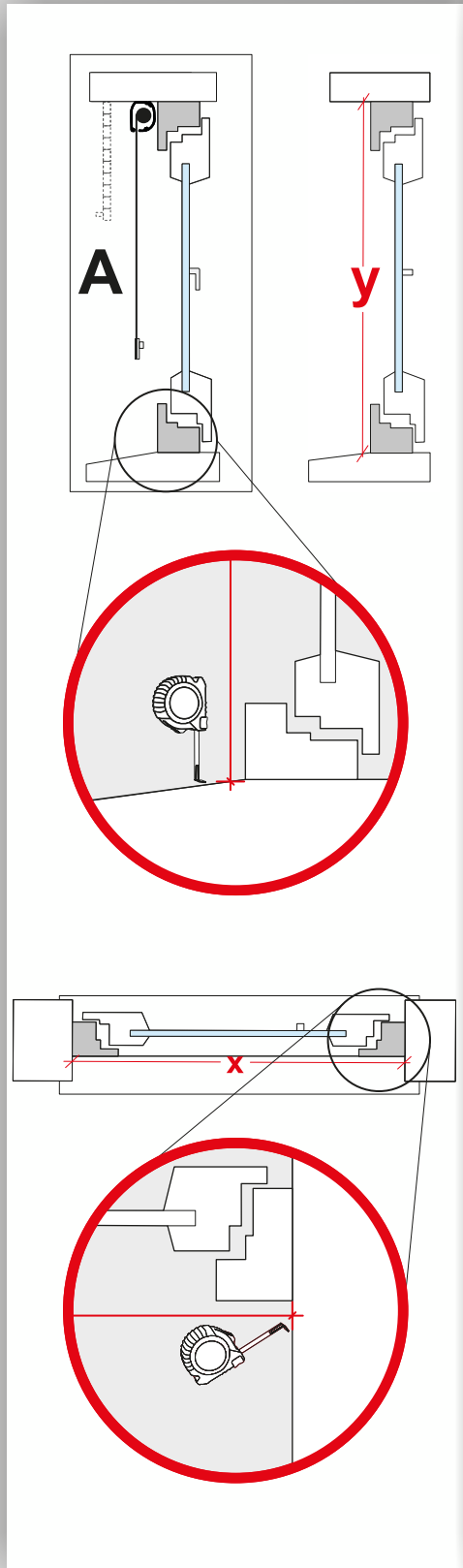
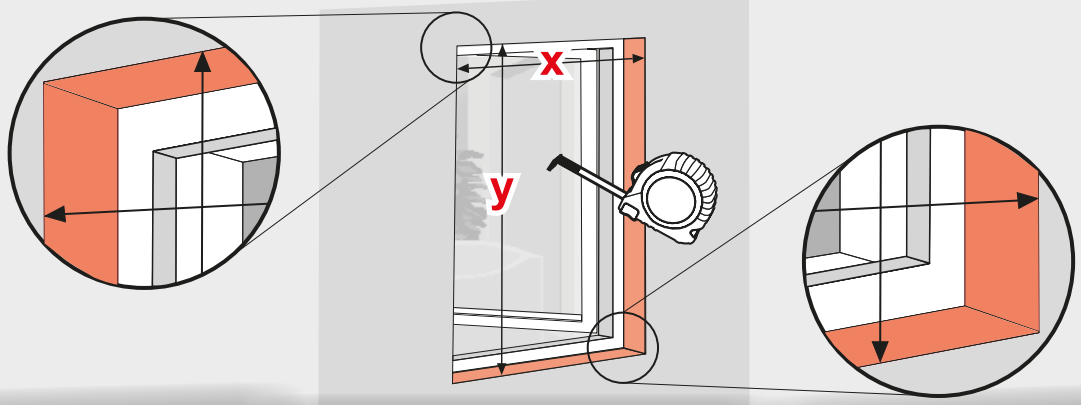
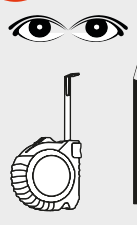
$Y_1 = Y_2 =$ _____ **cm**



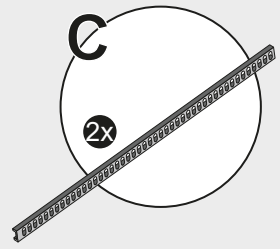
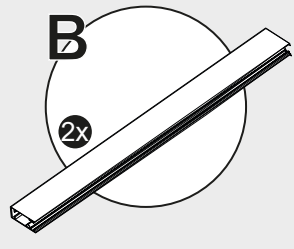
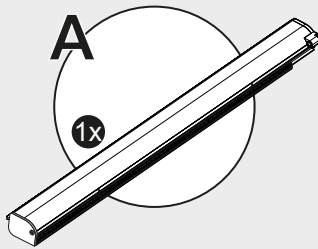
$X_1 = X_2 =$ _____ **cm**



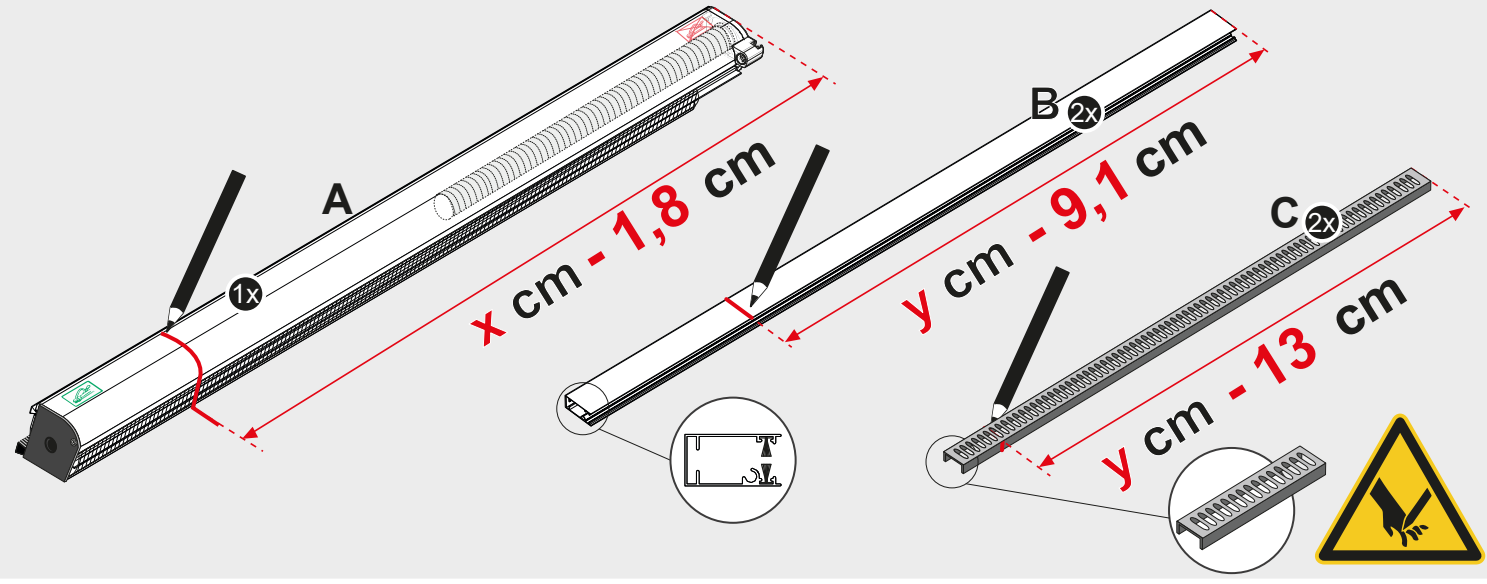
i



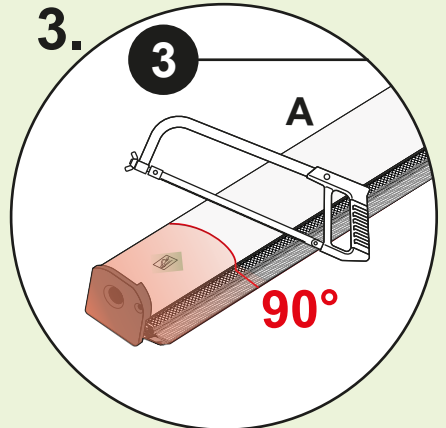
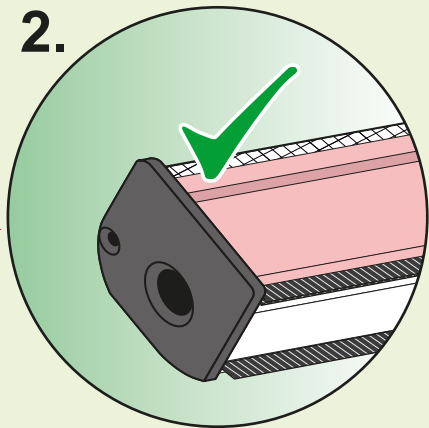
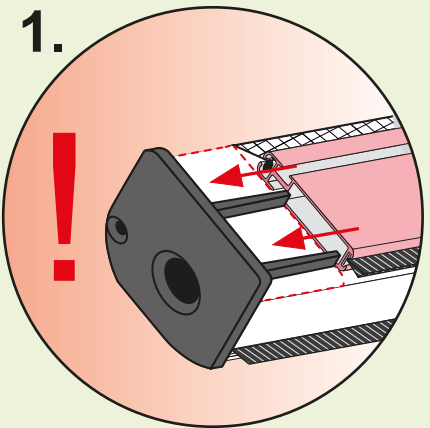
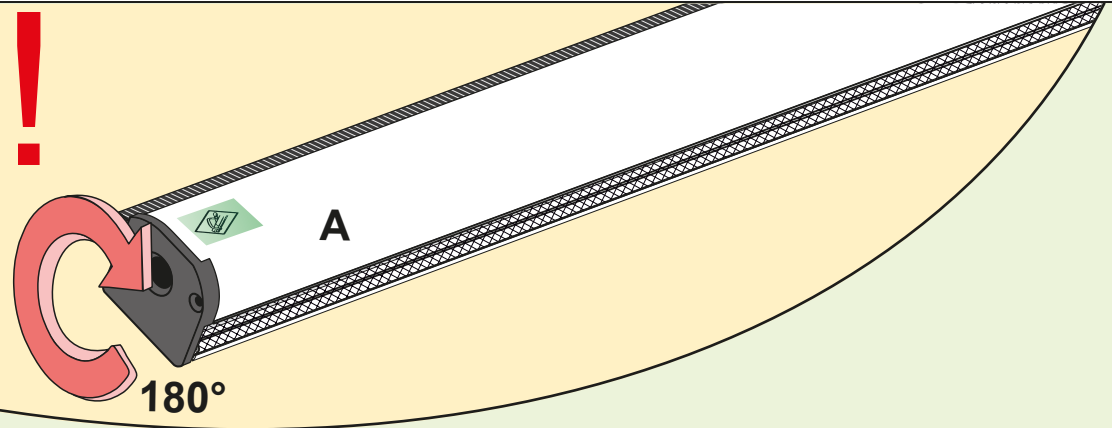
1



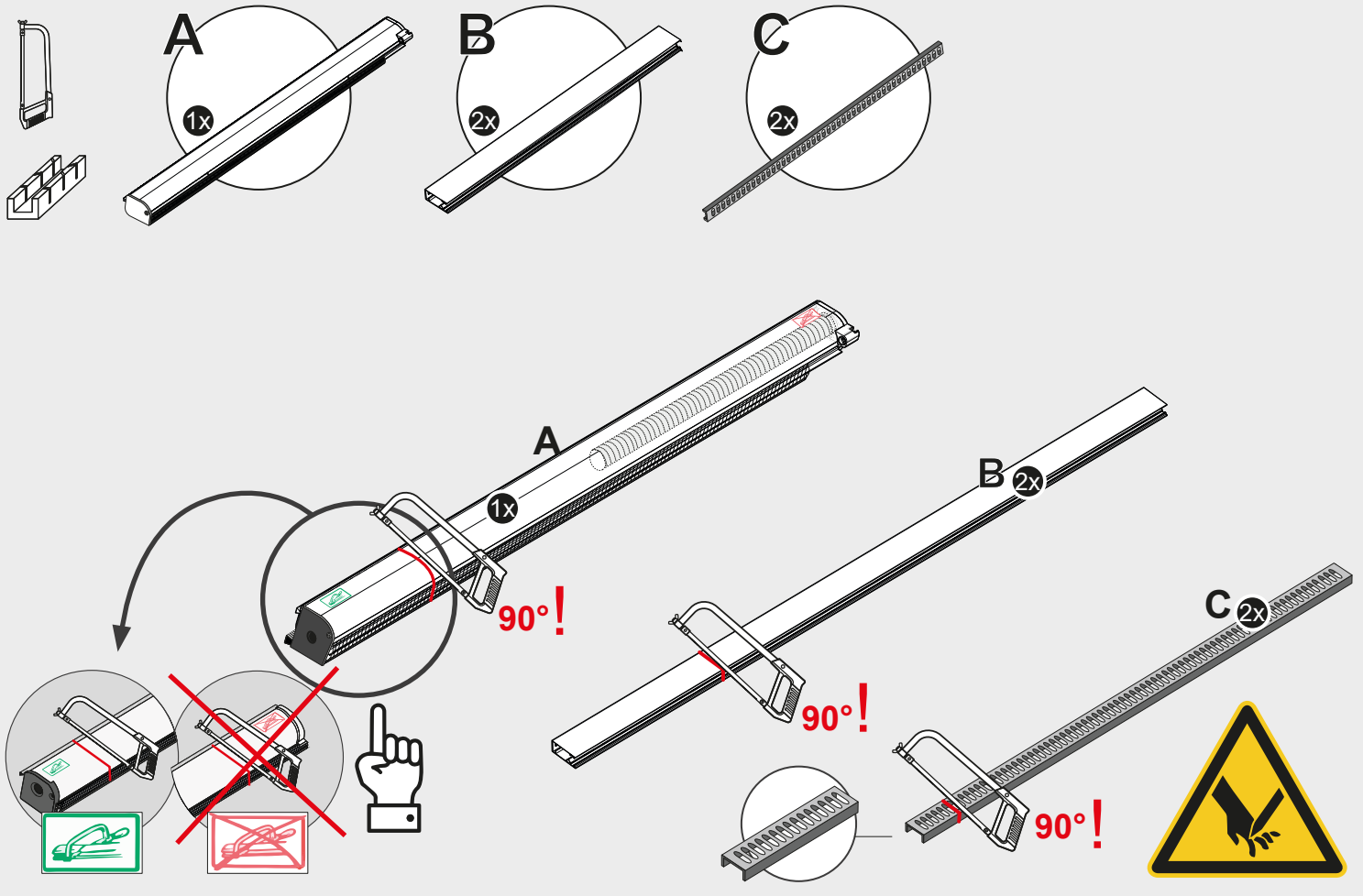
80 x 130 cm	x = min. 50 cm
125 x 170 cm & 160 x 170 cm	x = min. 62 cm



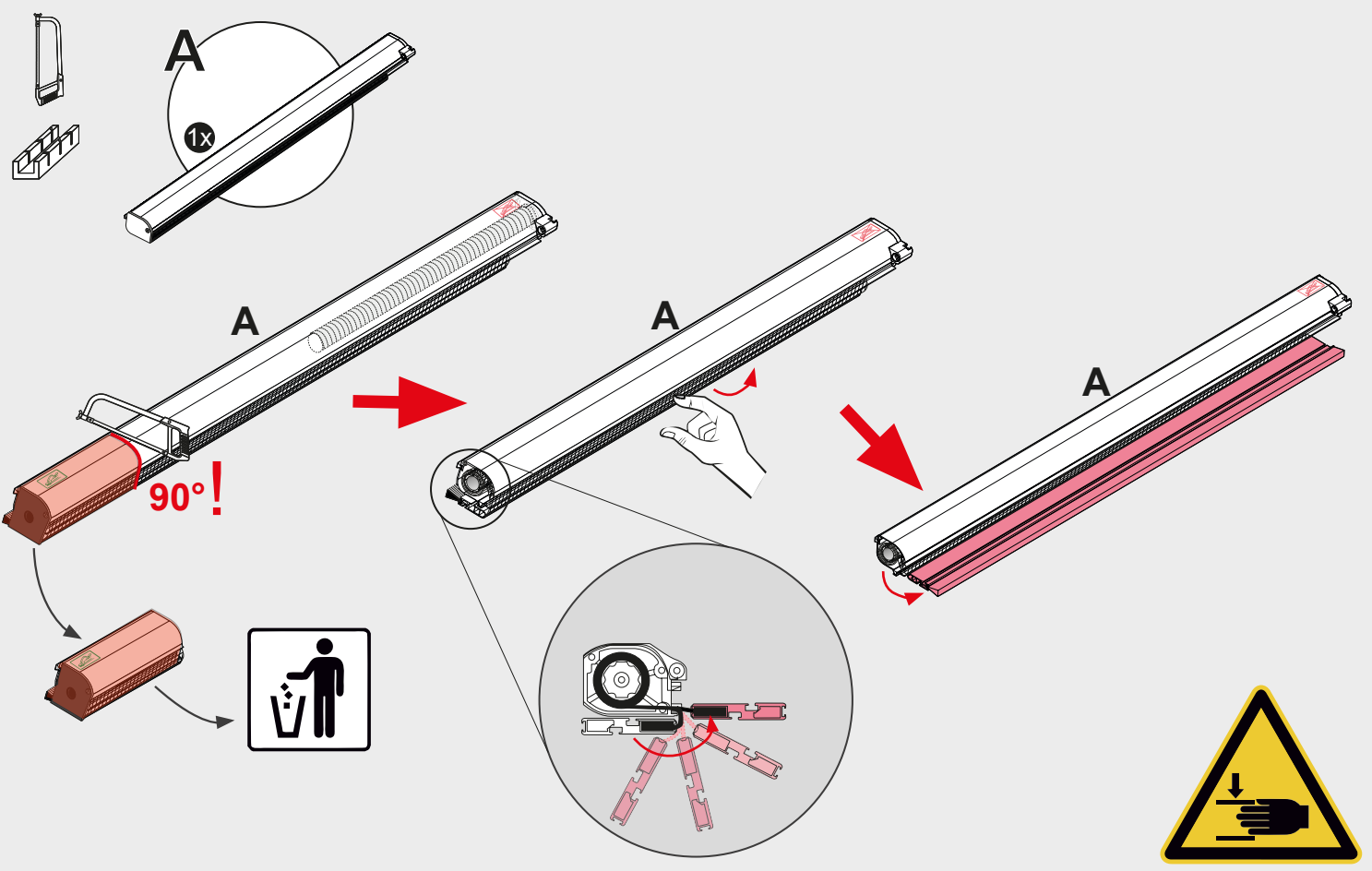
2



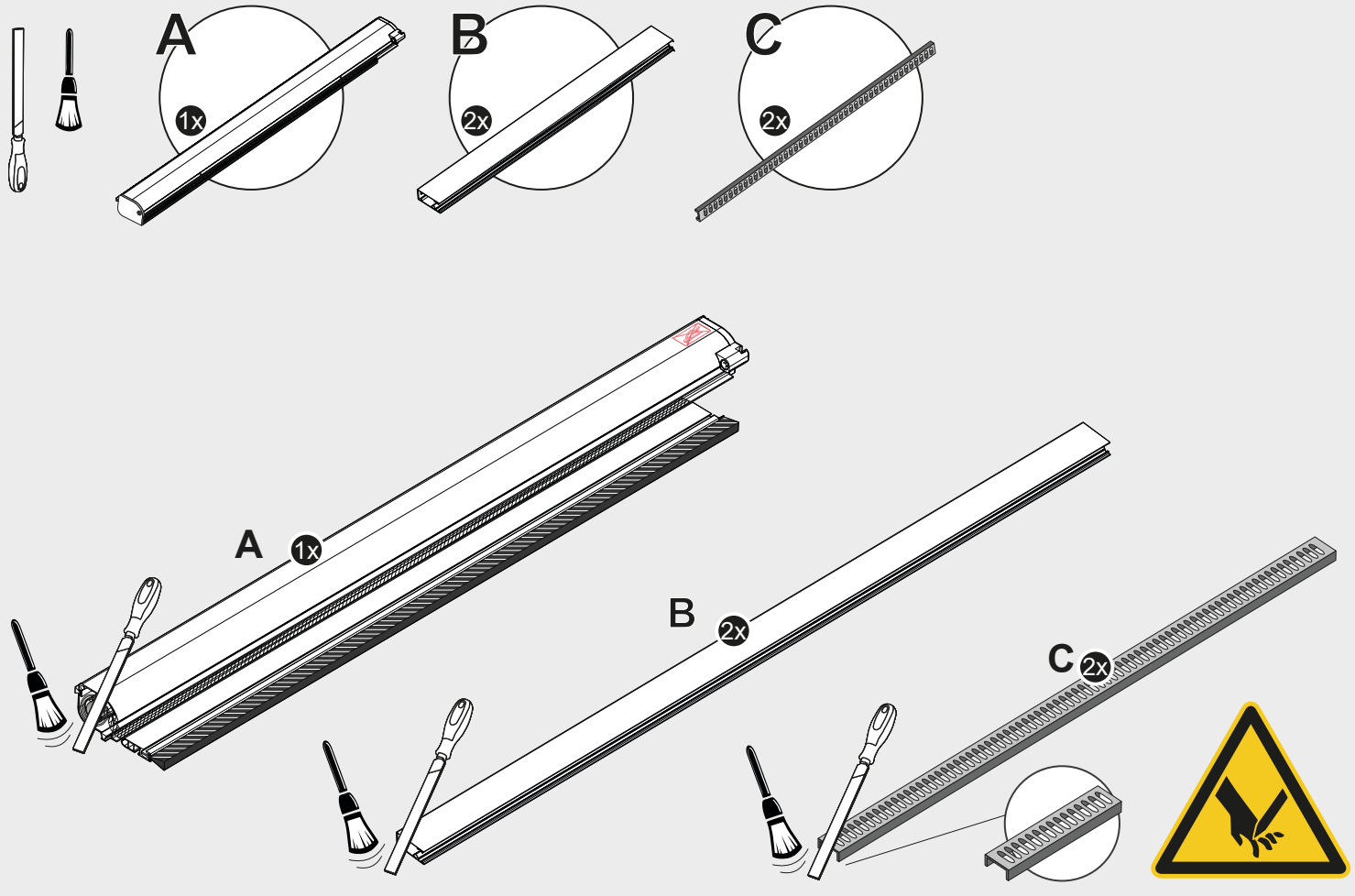
3



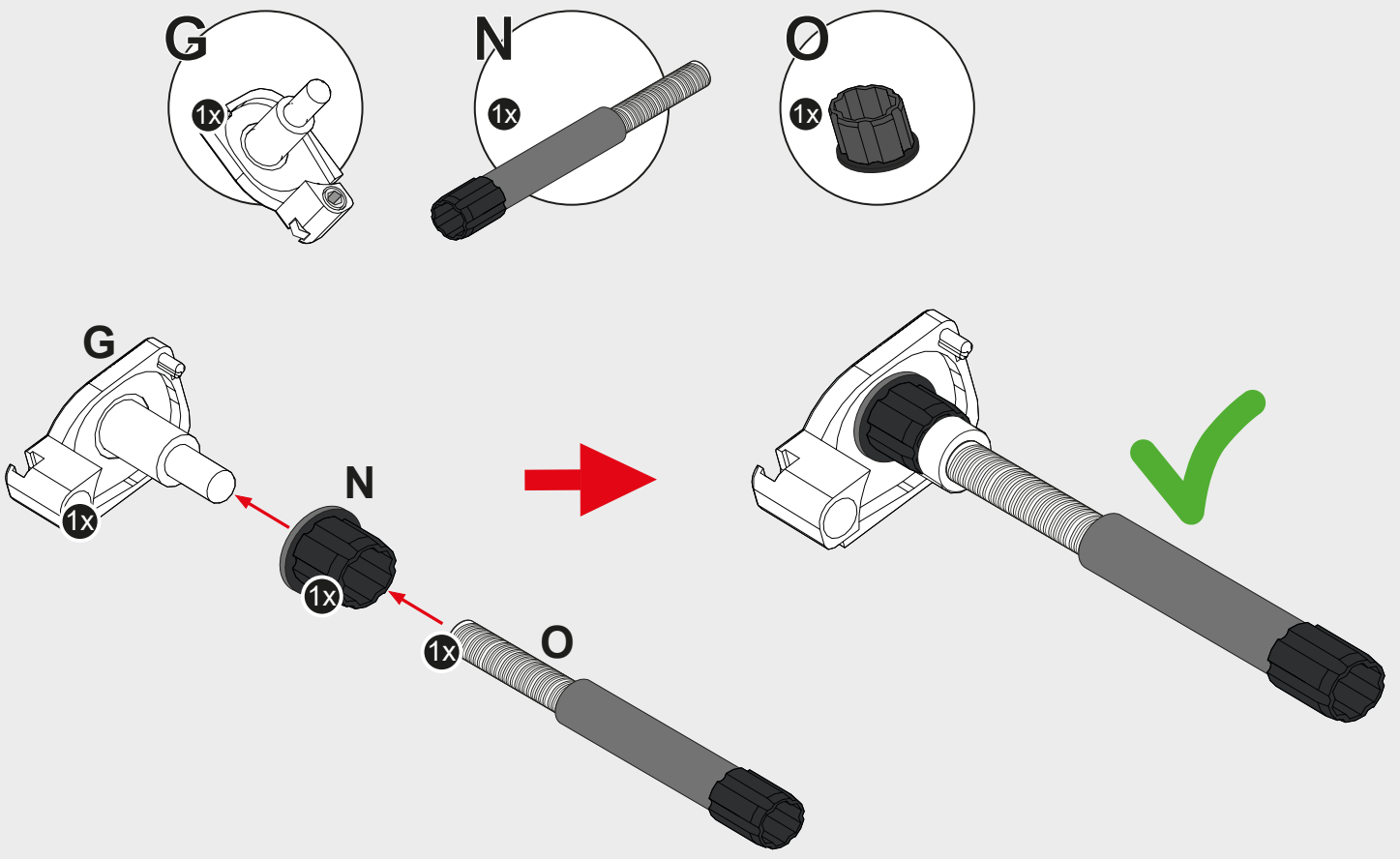
4



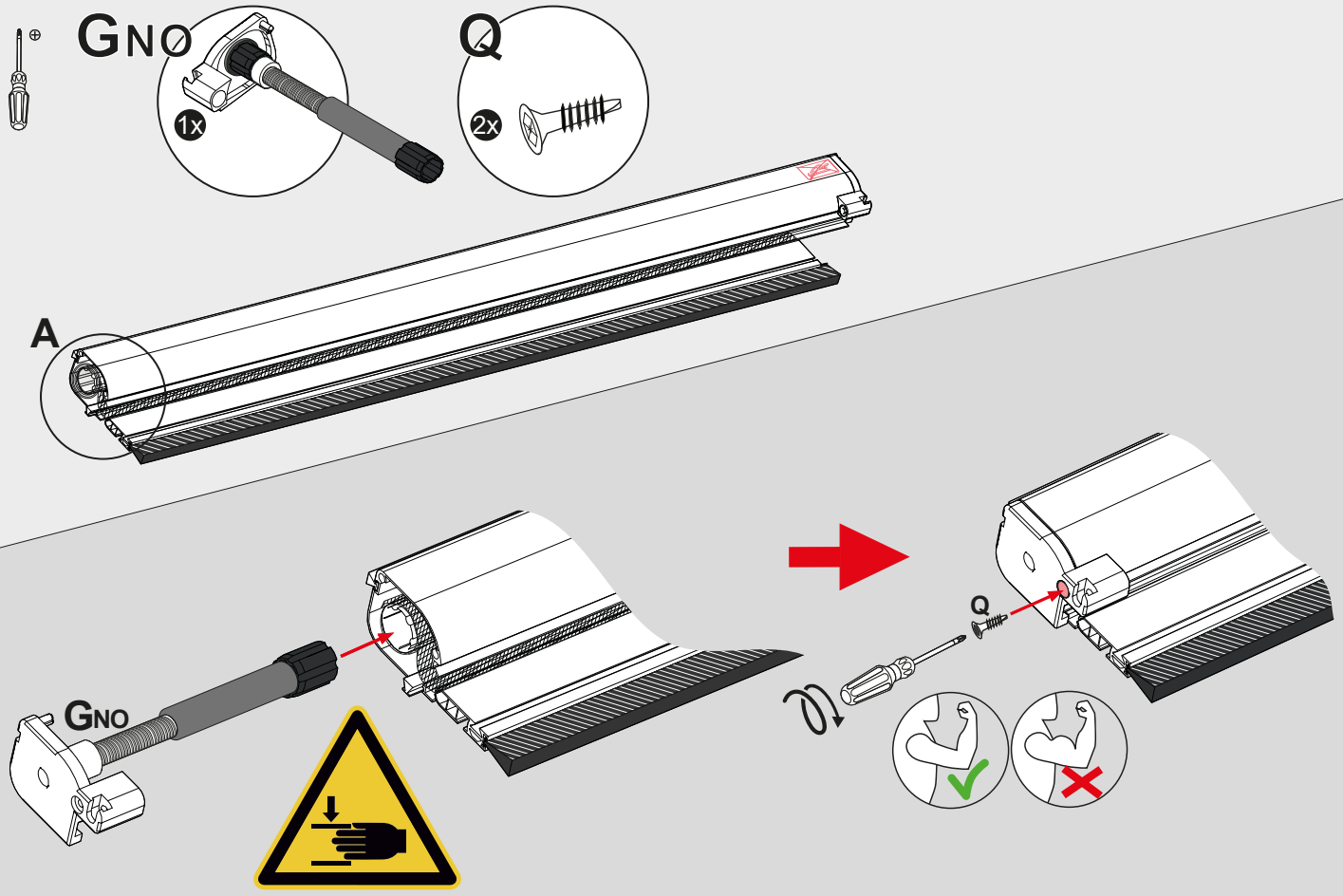
5



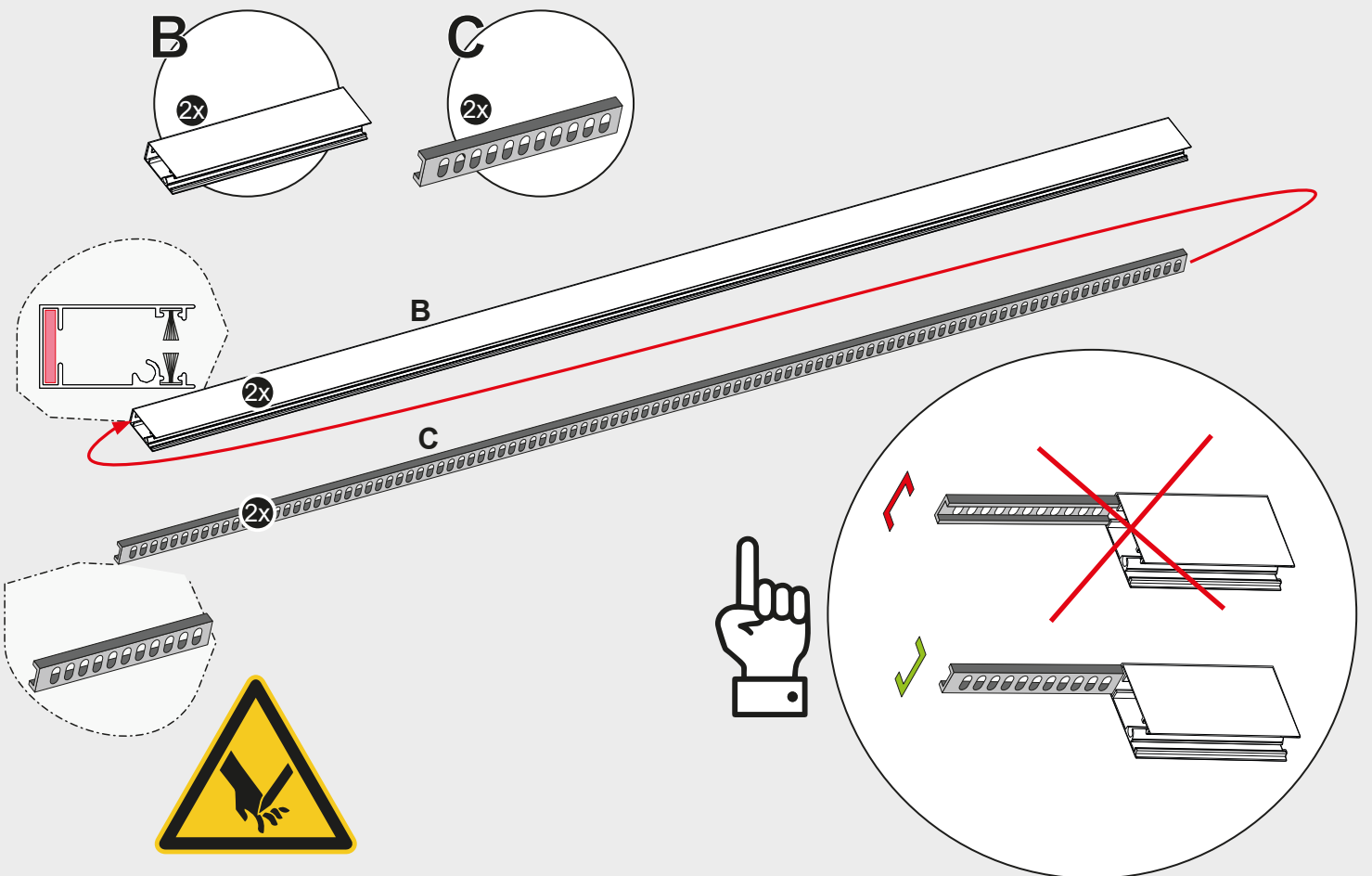
6



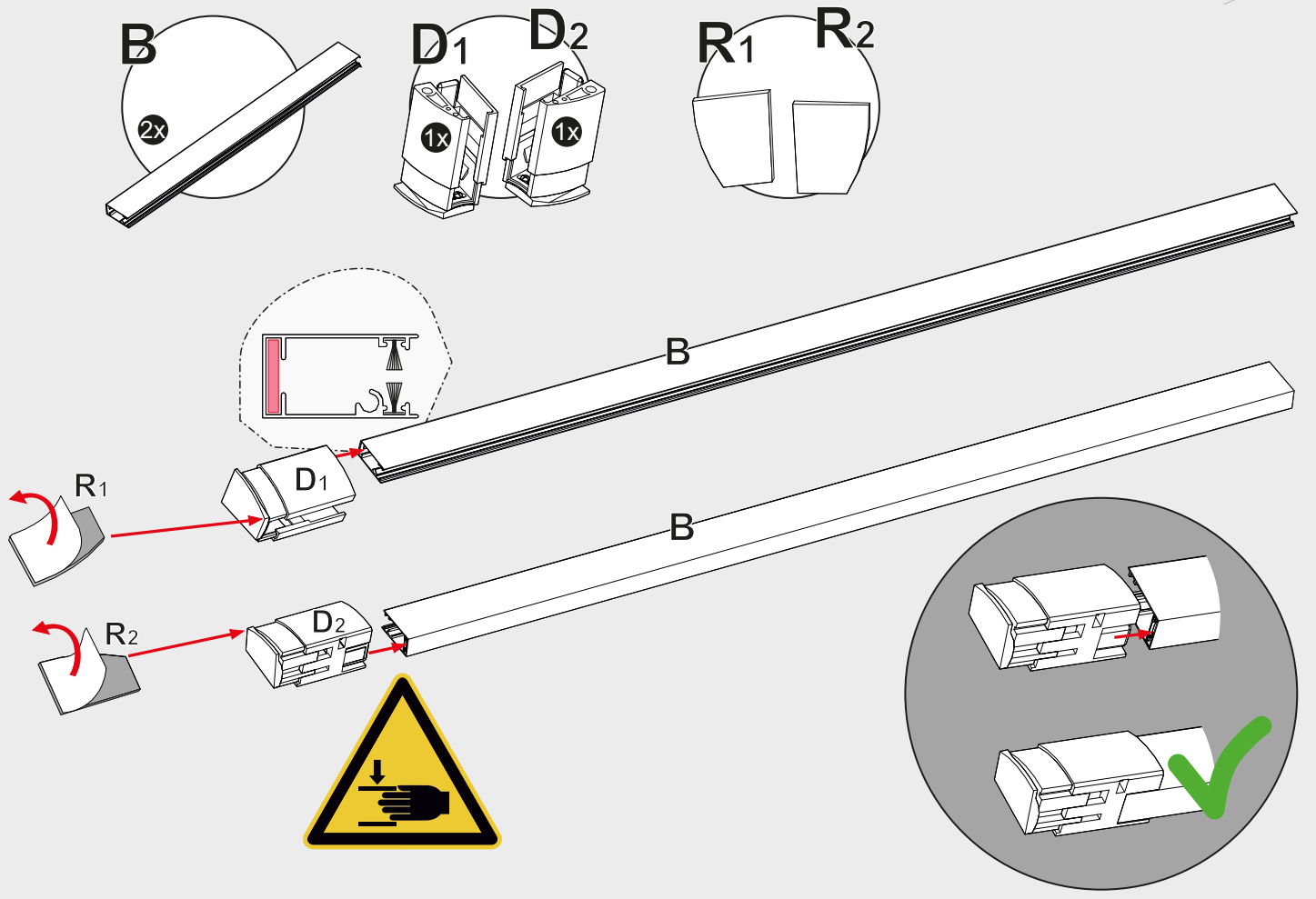
7



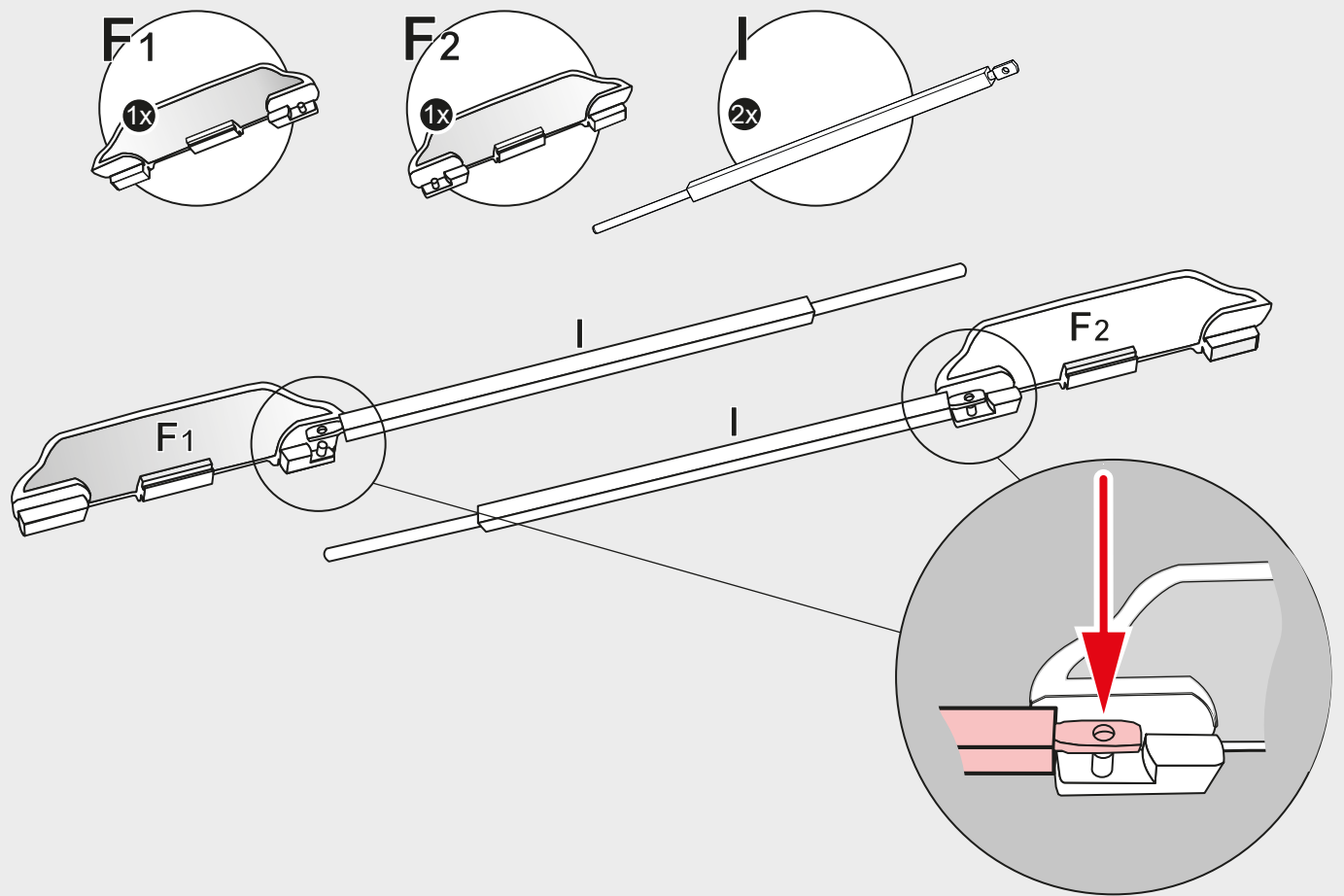
8



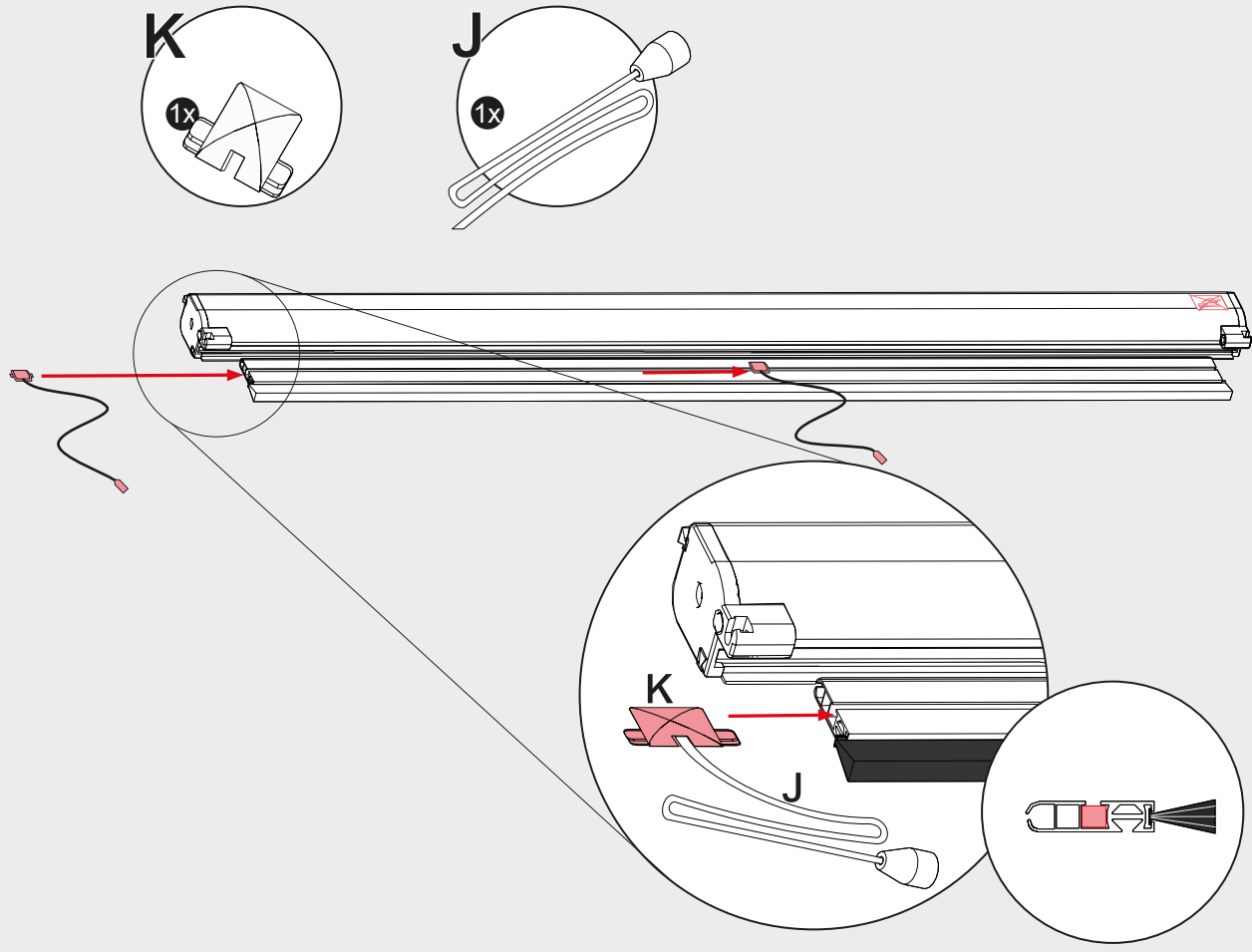
9



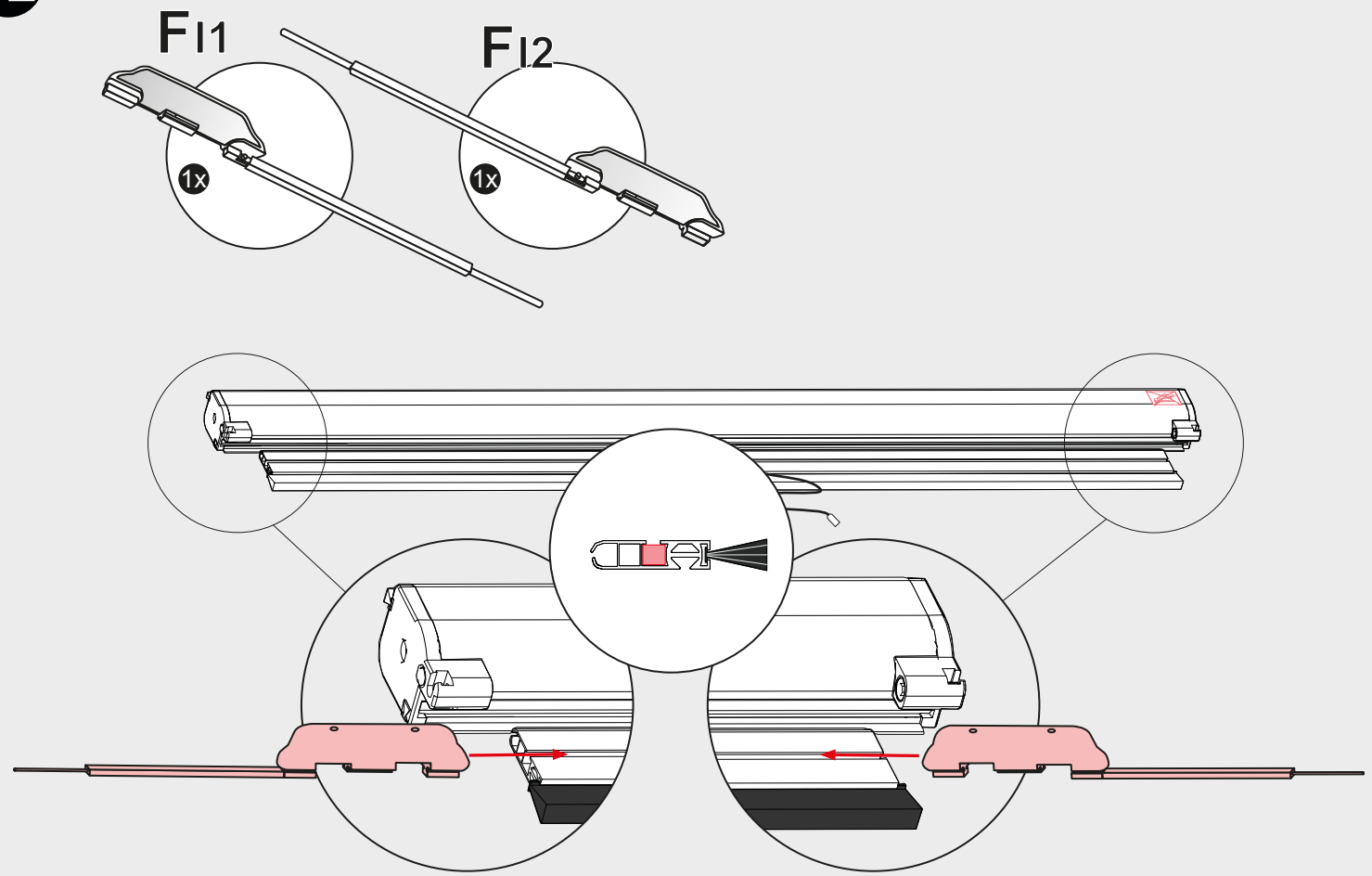
10



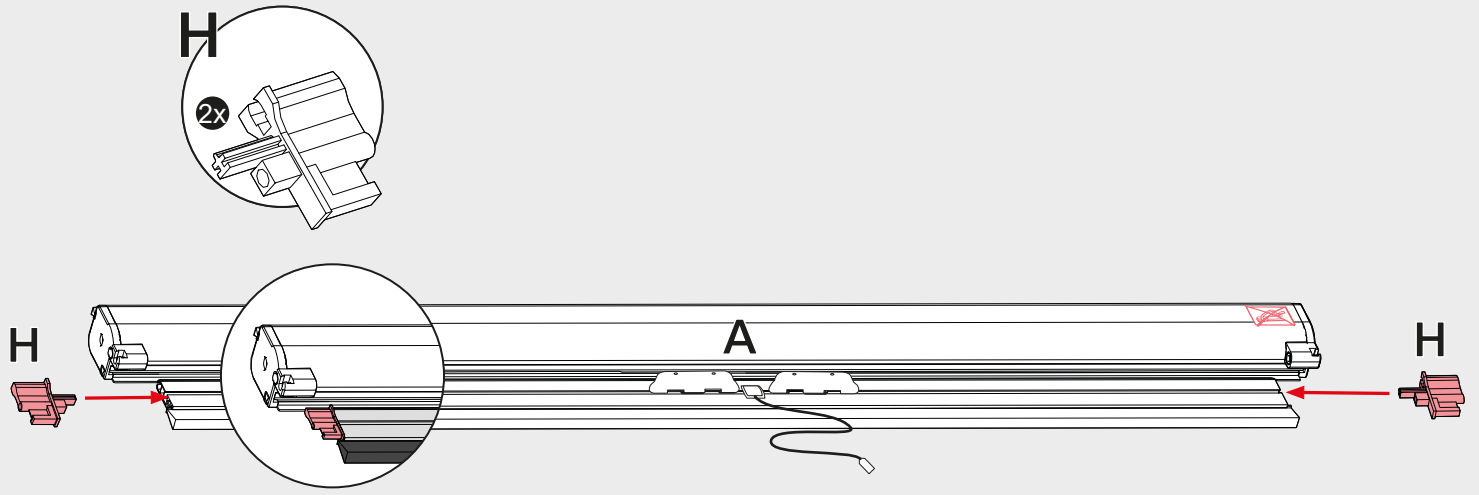
11



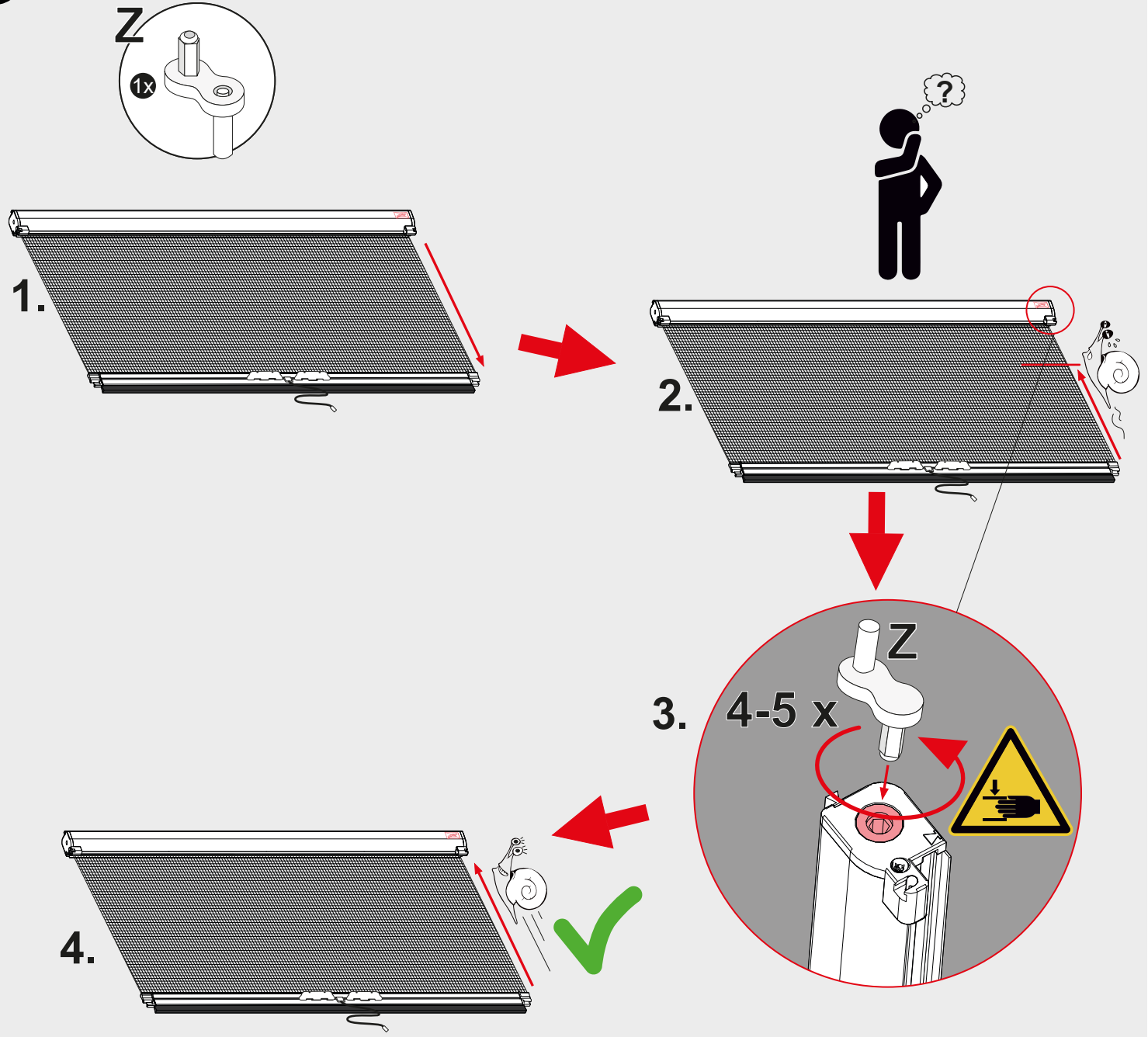
12



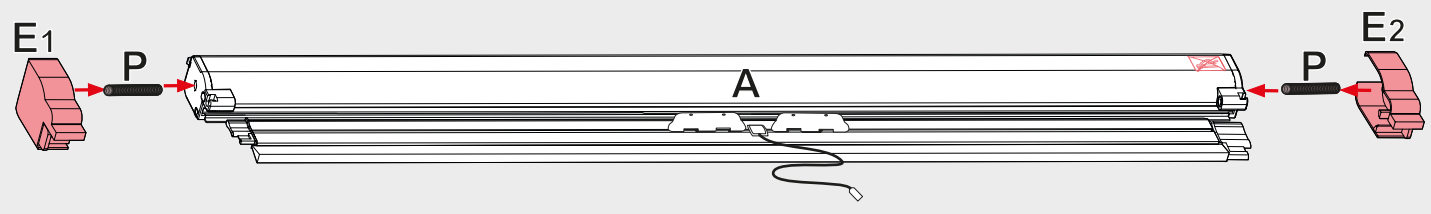
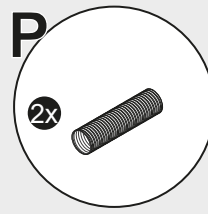
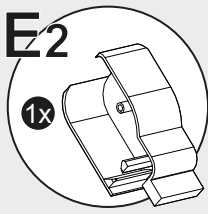
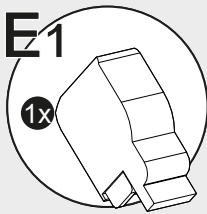
13



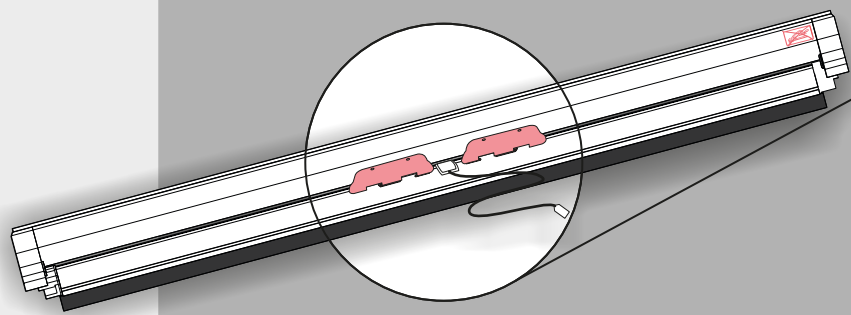
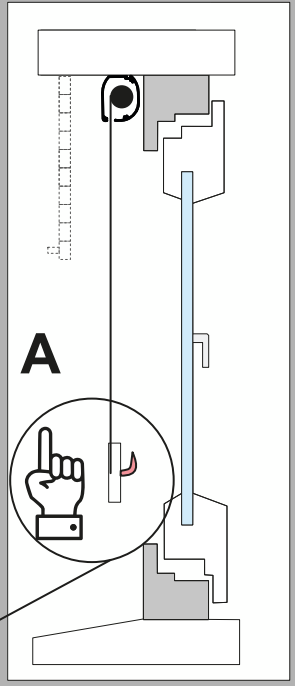
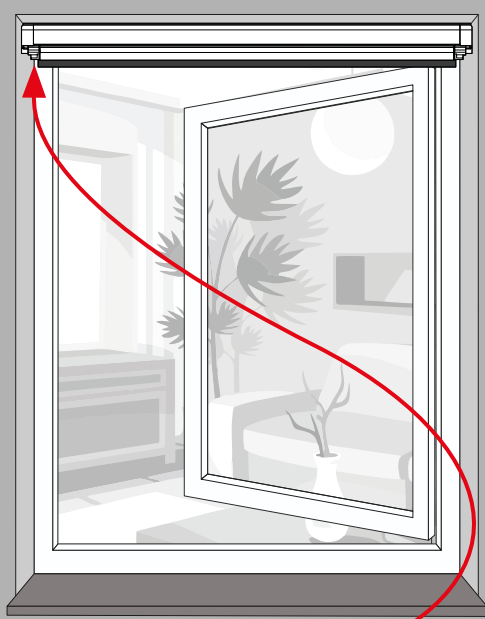
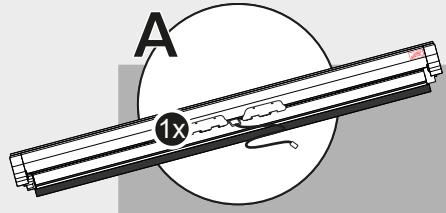
14

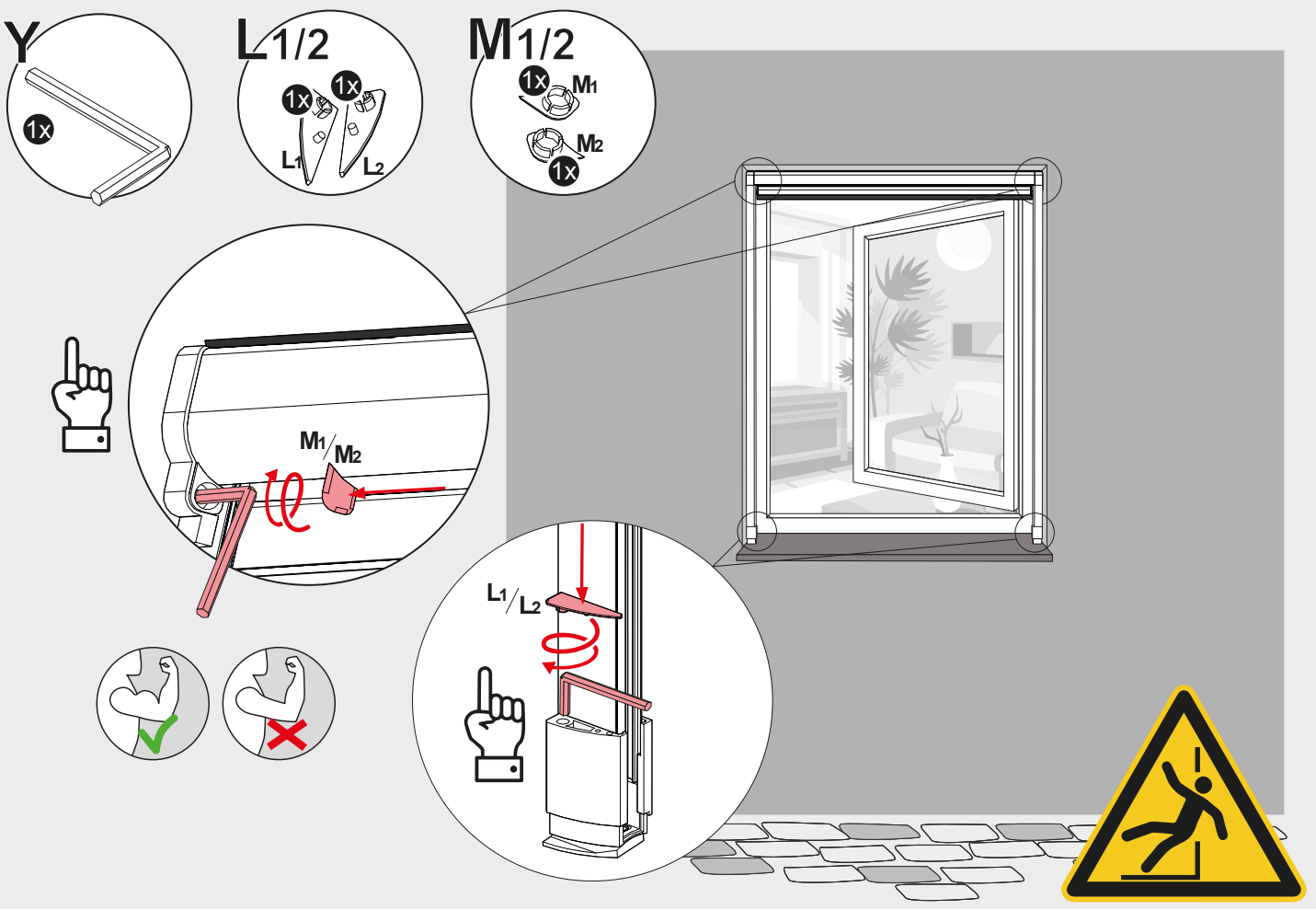
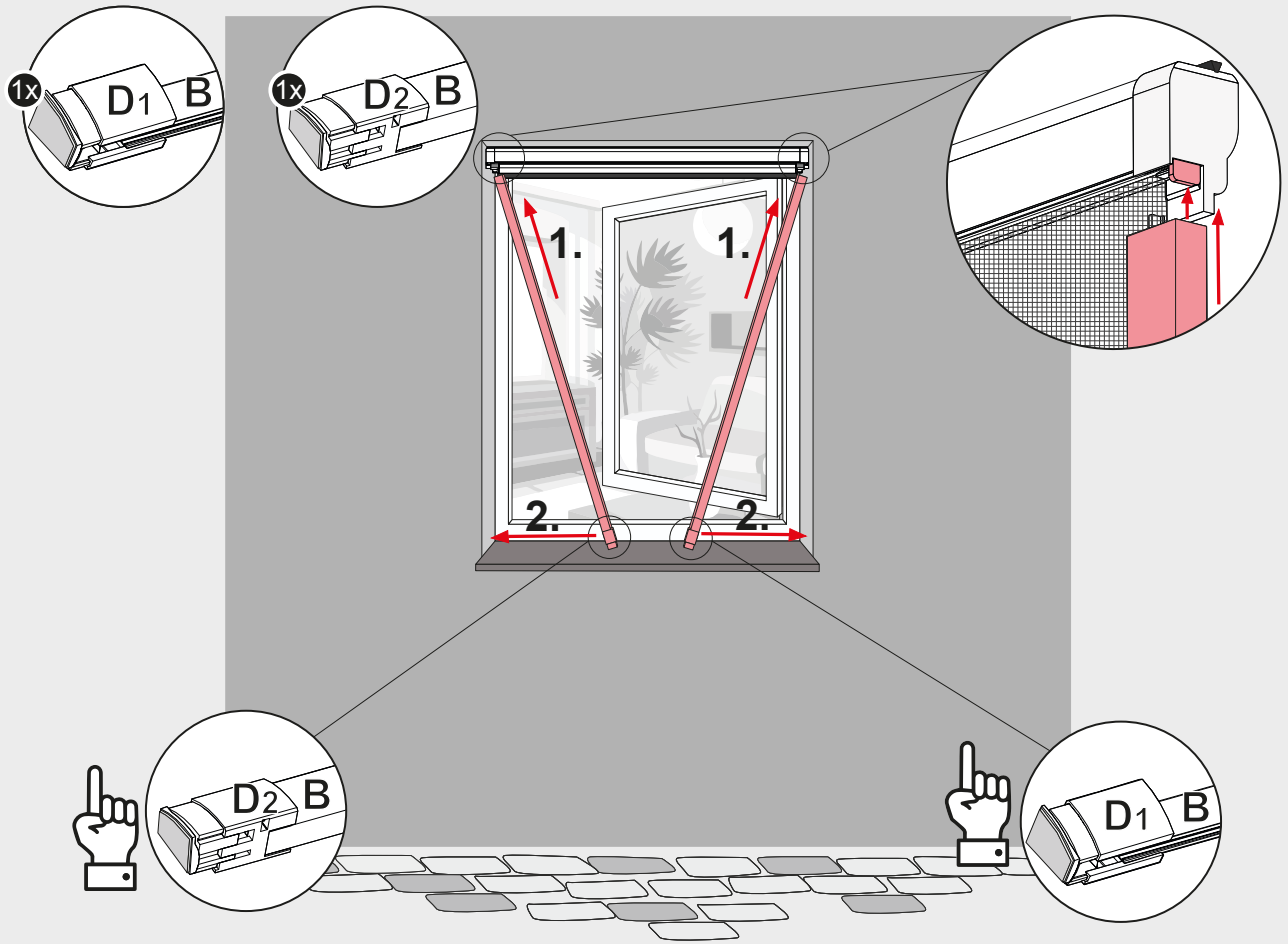


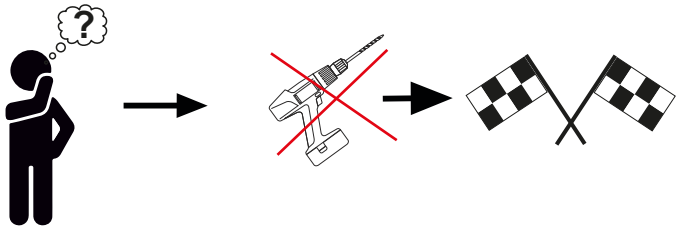
15



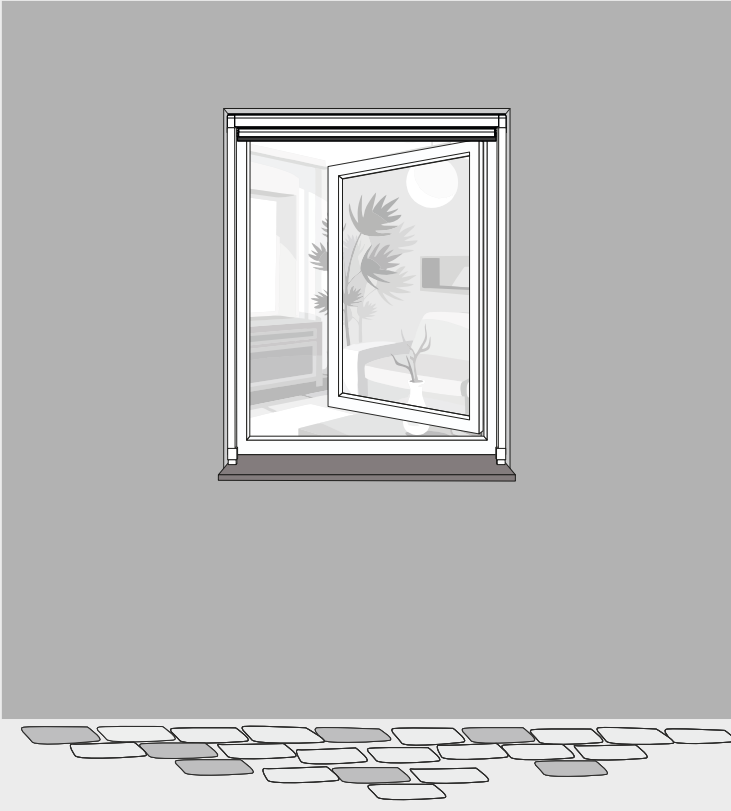
16



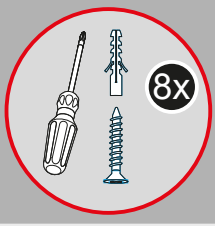
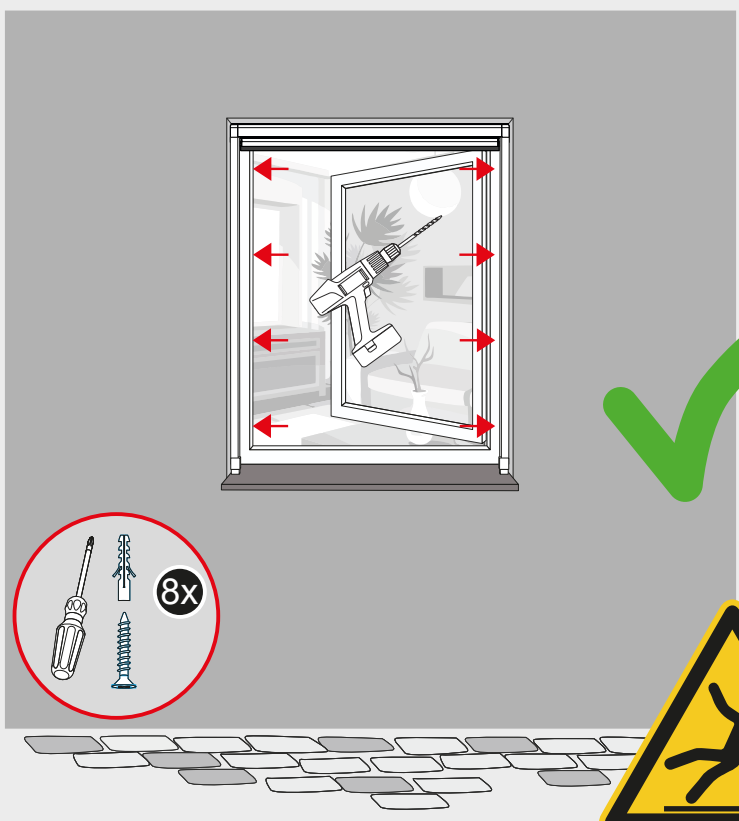
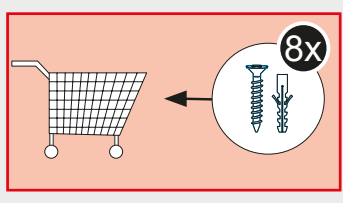
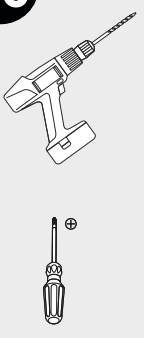


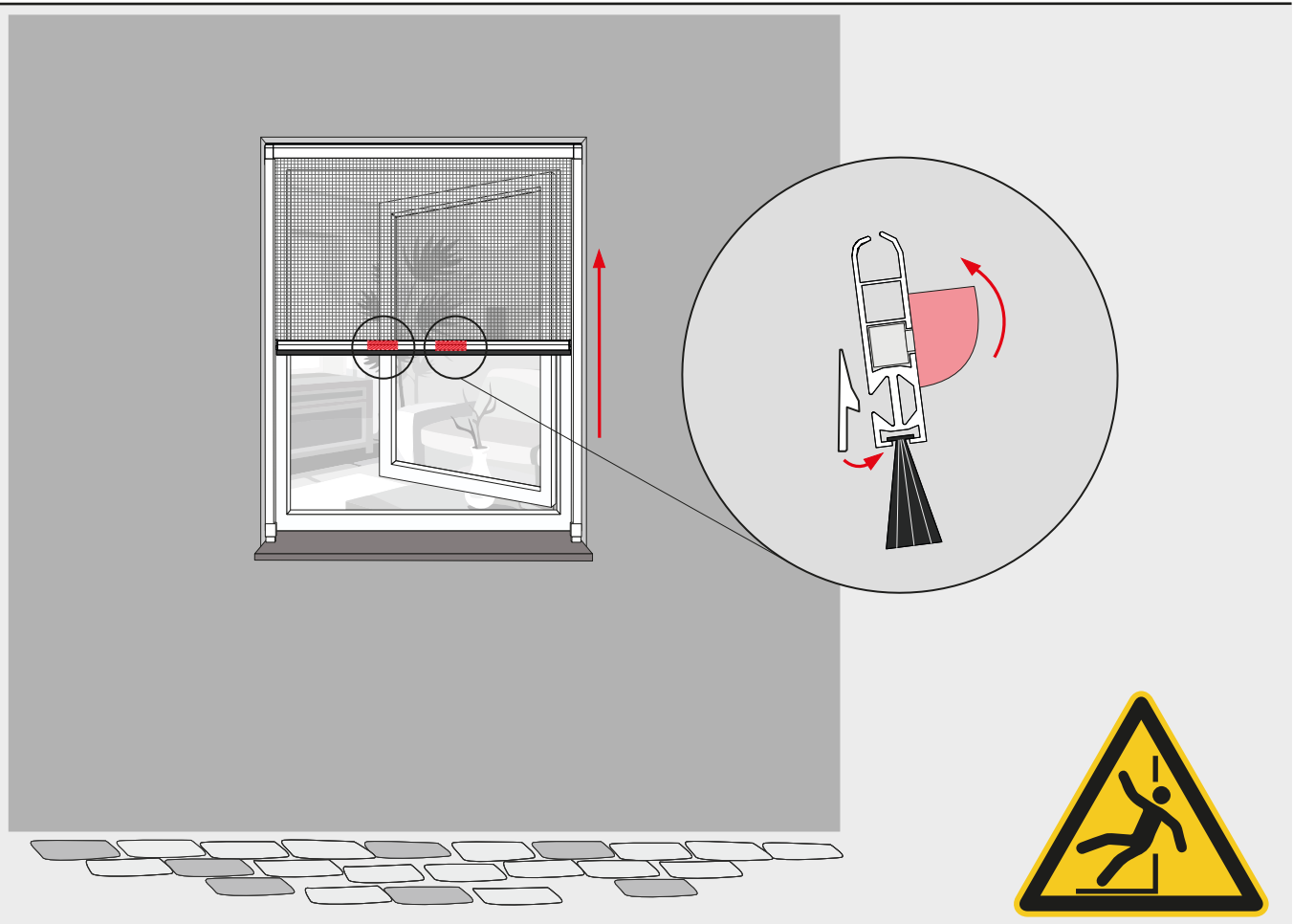
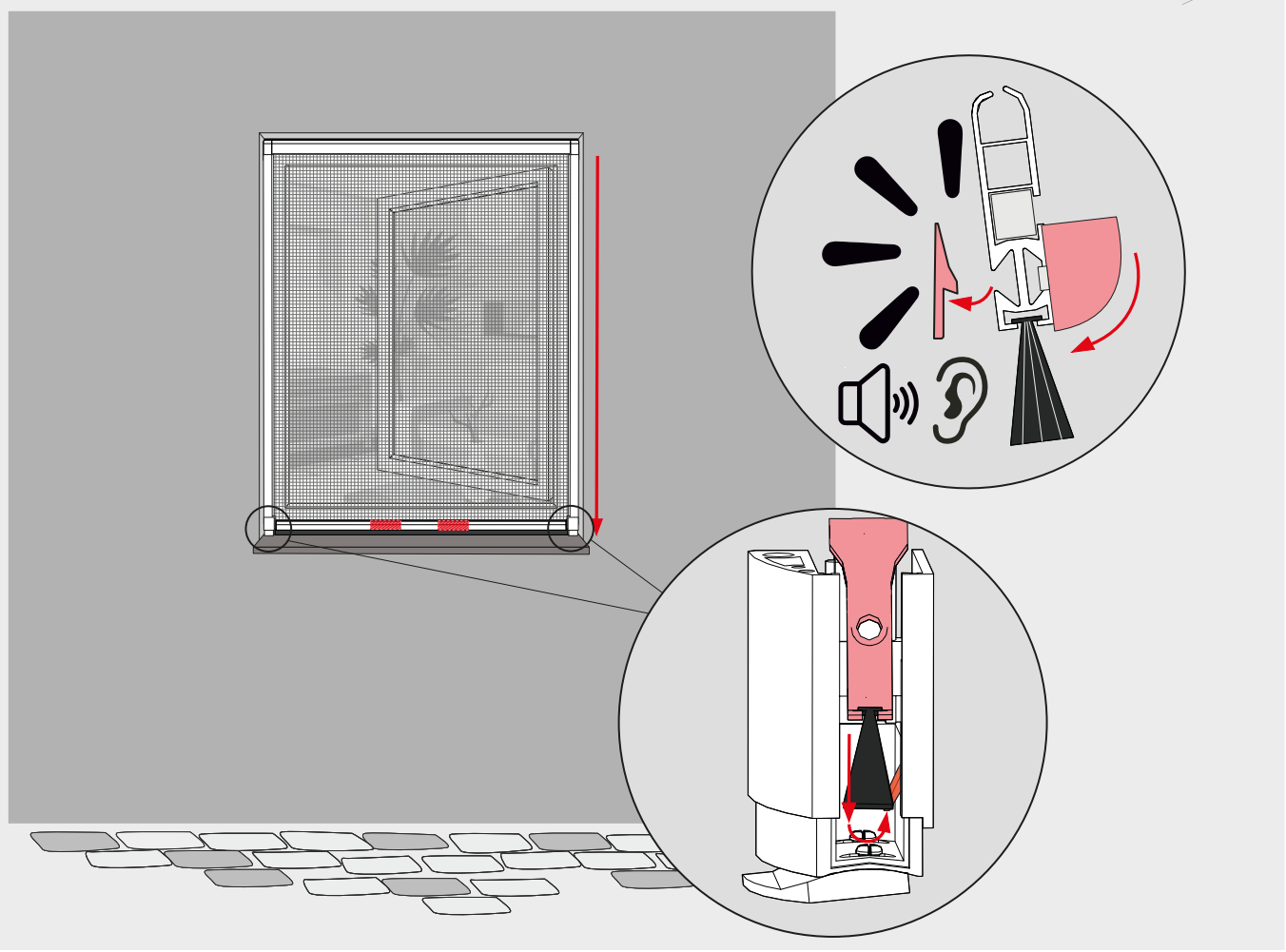


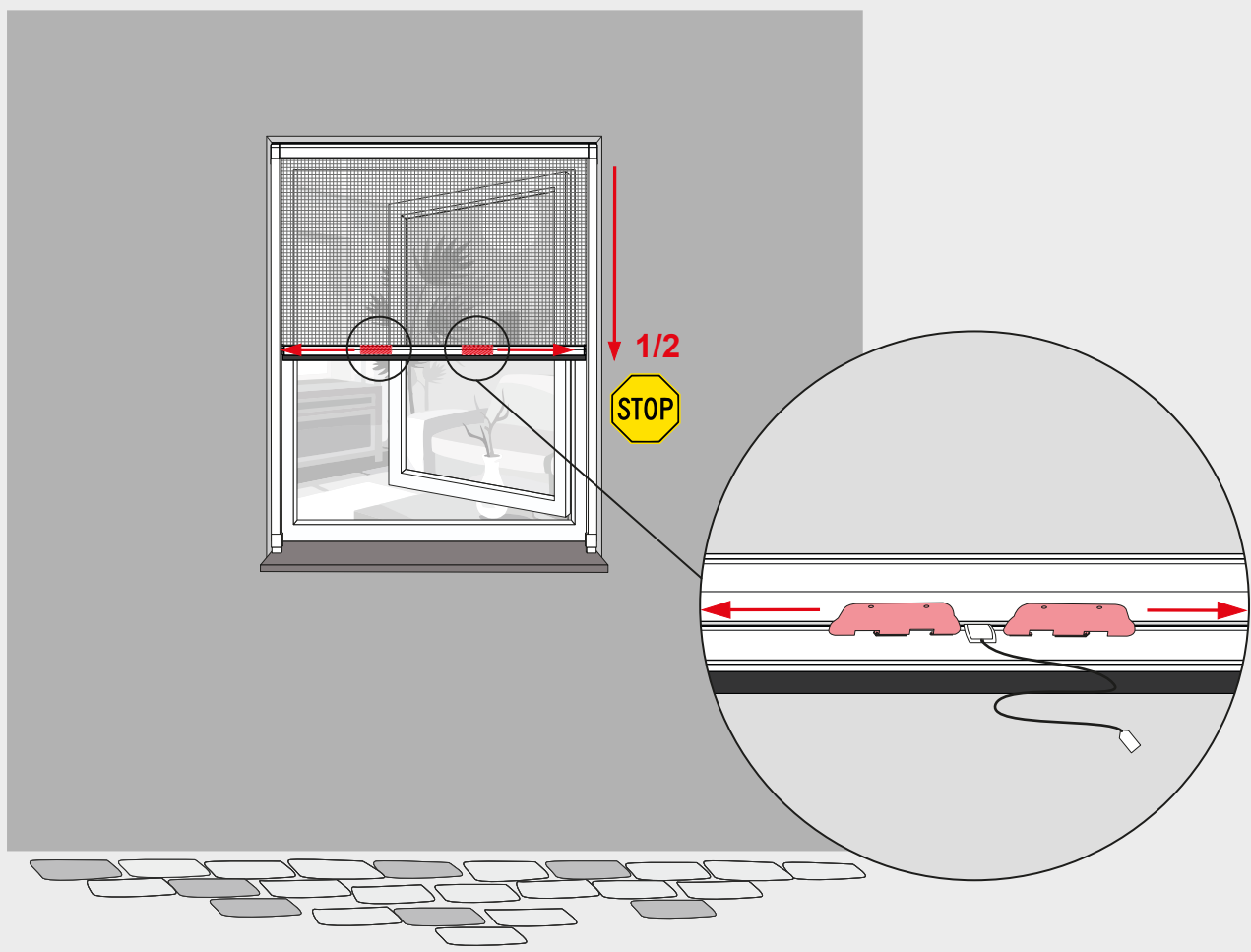
19



20







FR Si vous imprimez ce document, pensez à le trier !



LE TRI
+ FACILE

