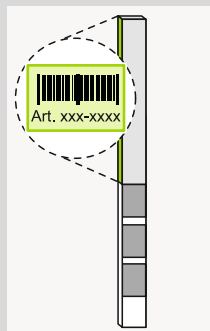
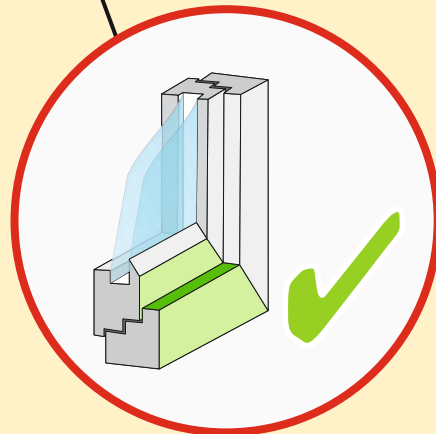
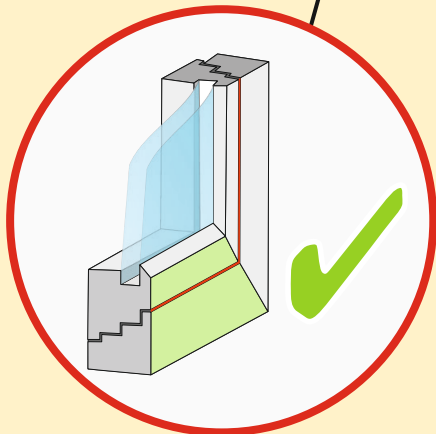
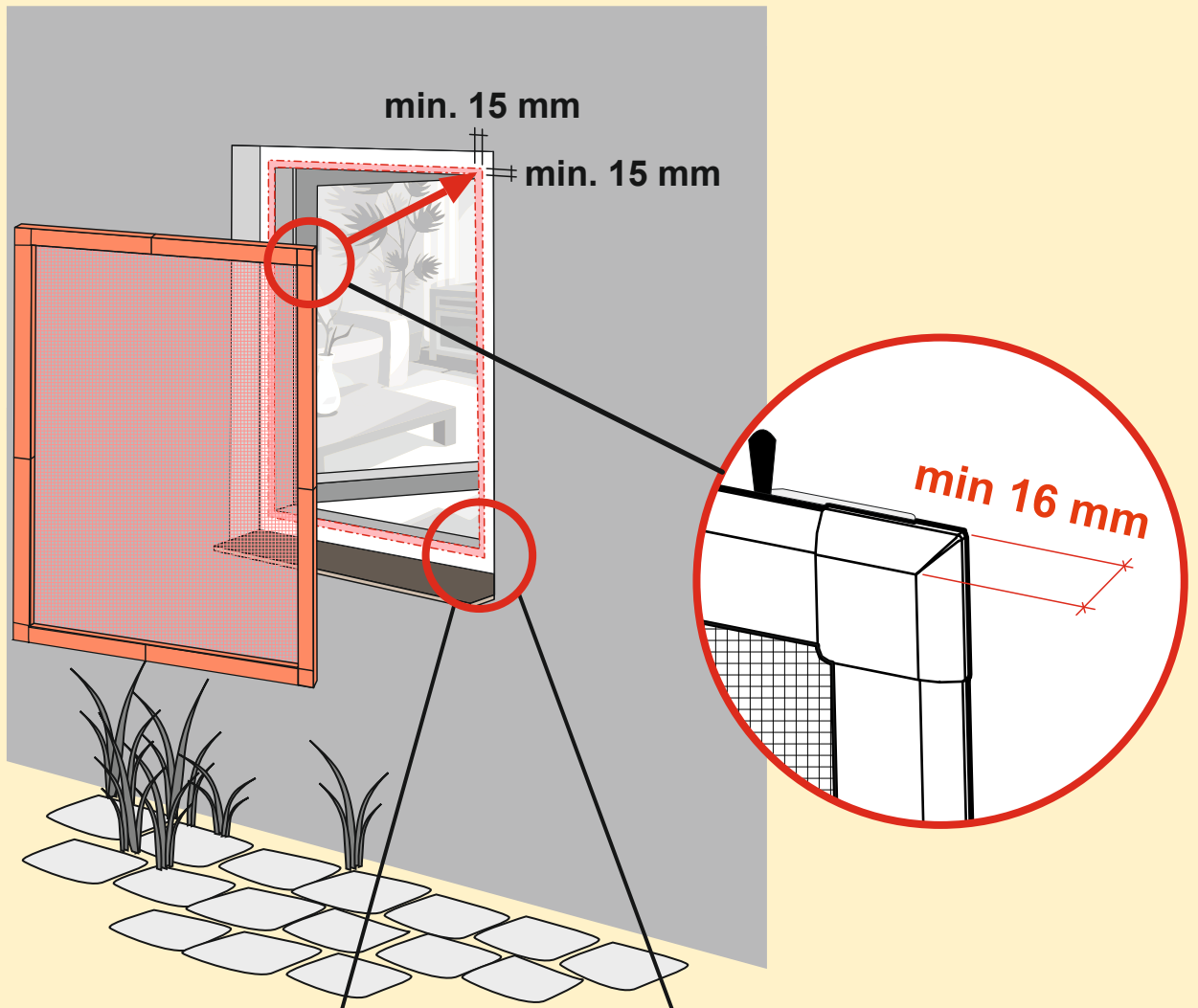
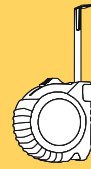


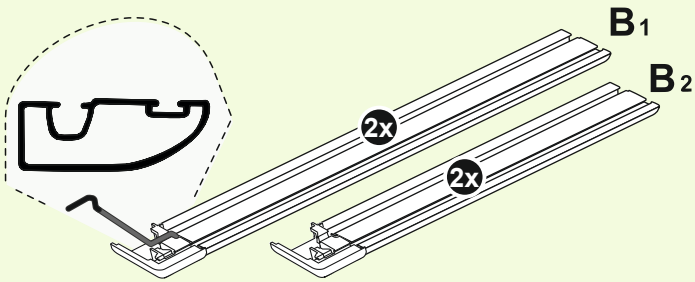
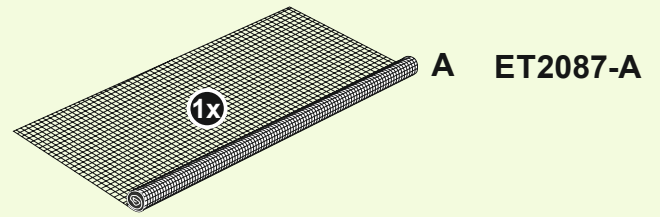
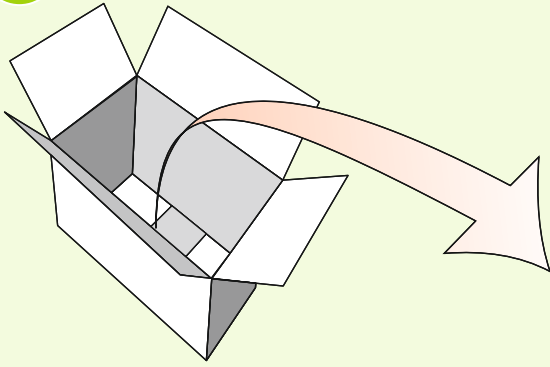
1x





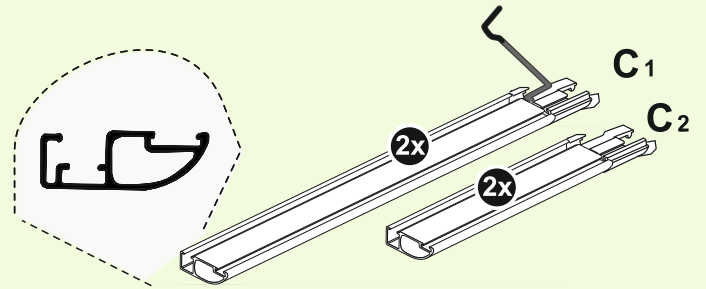
min. 1h





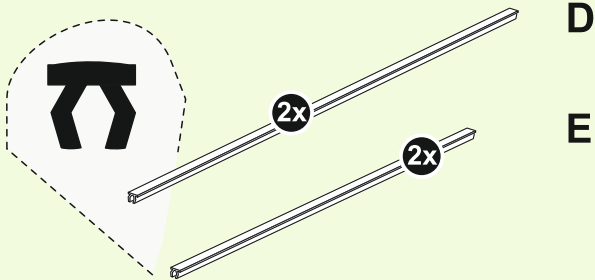




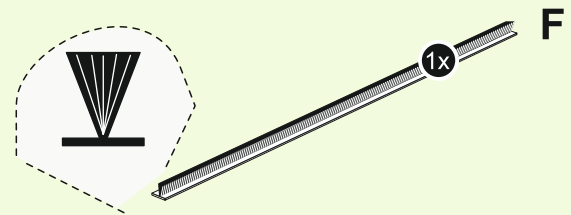
-  ET2085-B_{1/2}
-  ET2087-B_{1/2}



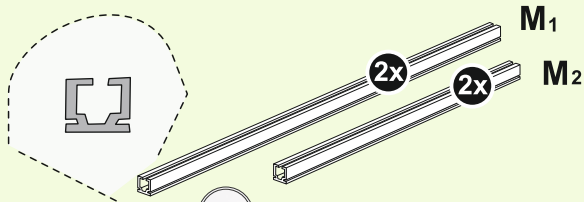
-  ET2085-C_{1/2}
-  ET2087-C_{1/2}





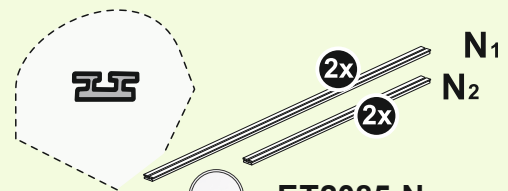
ET2087-D
ET2087-E





ET2087-F









-  ET2085-M_{1/2}
-  ET2087-M_{1/2}

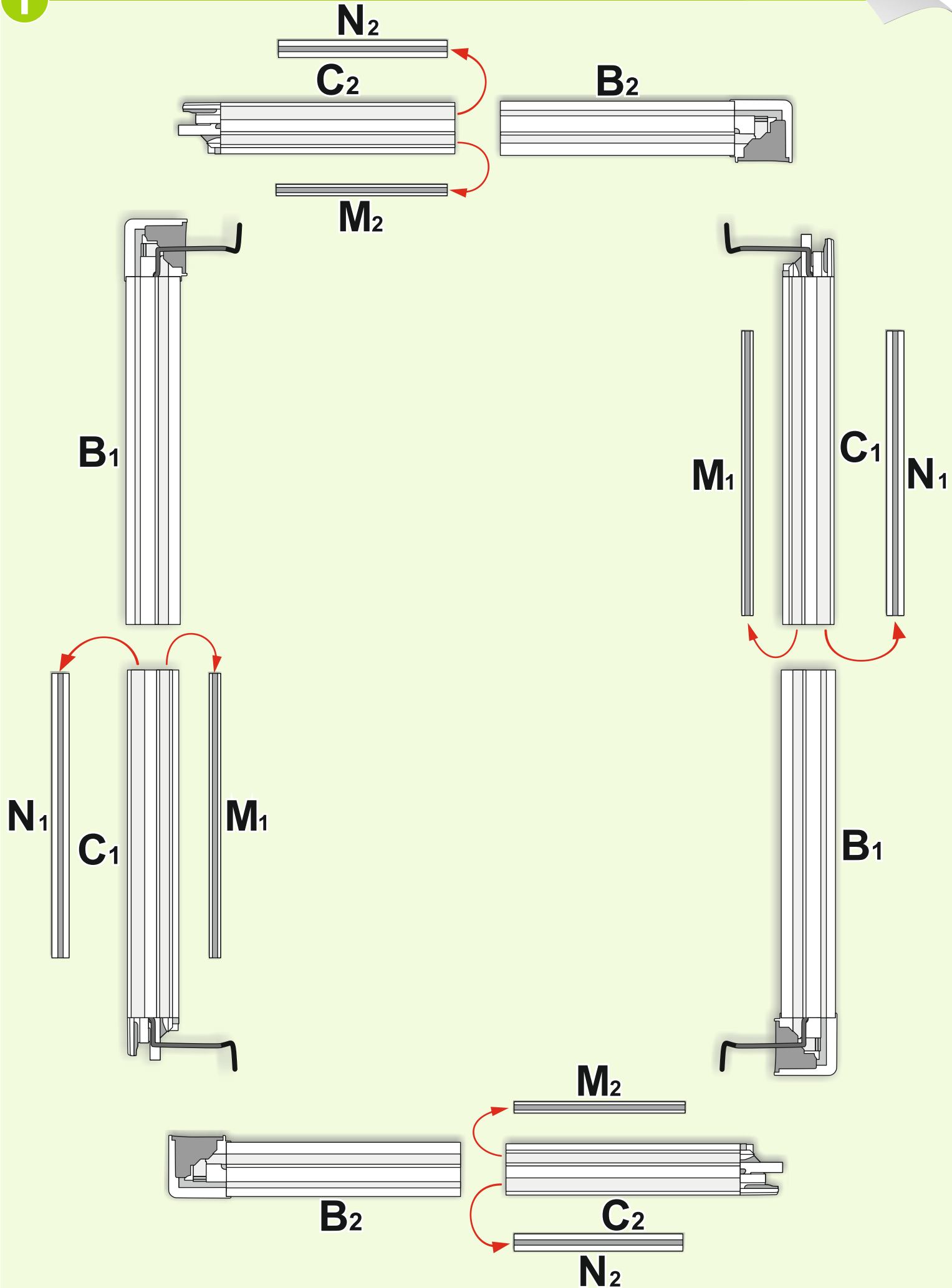


-  ET2085-N_{1/2}
-  ET2087-N_{1/2}

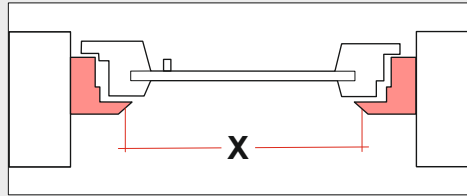
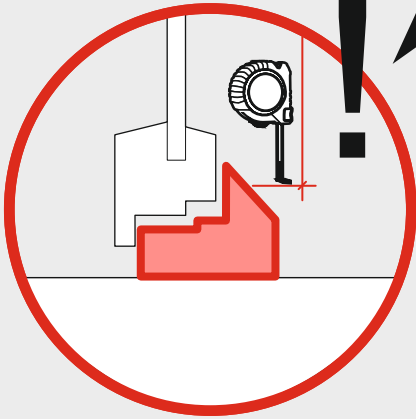
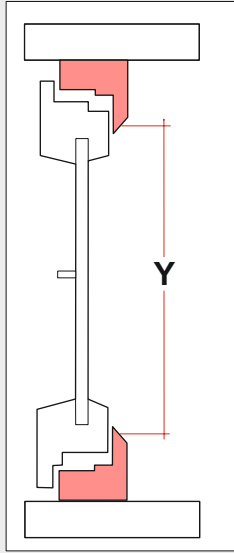
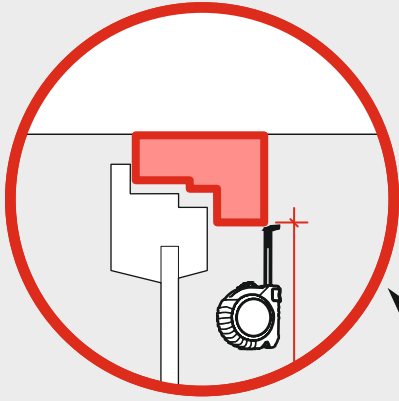
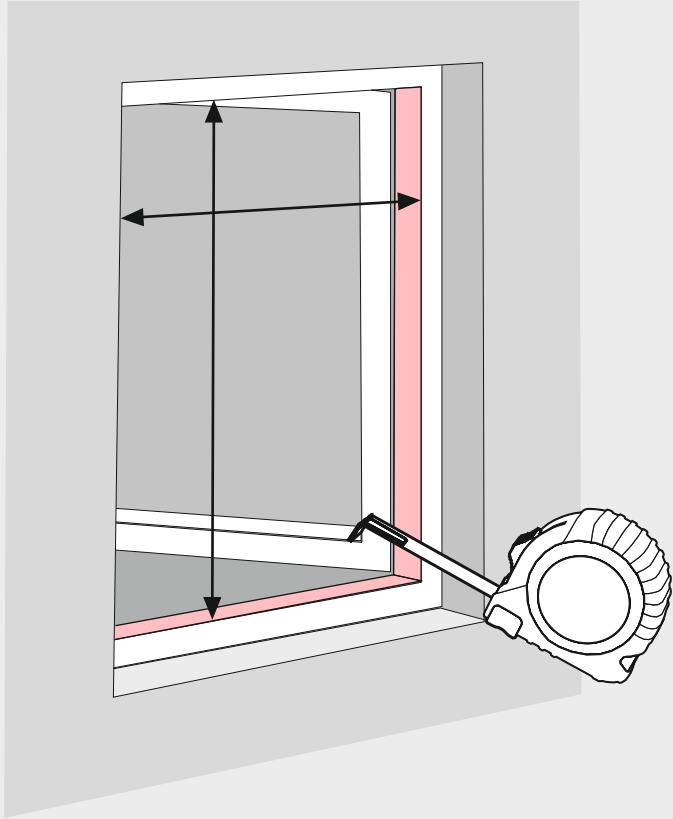
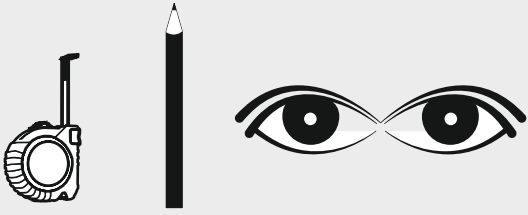
ET2080-SET2

-   H ET2080-H
-   I ET2080-I
-   J ET2080-J

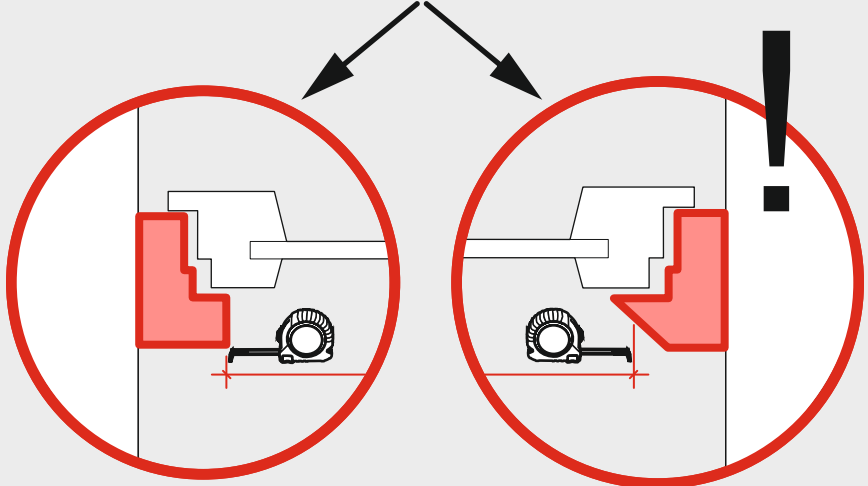




i

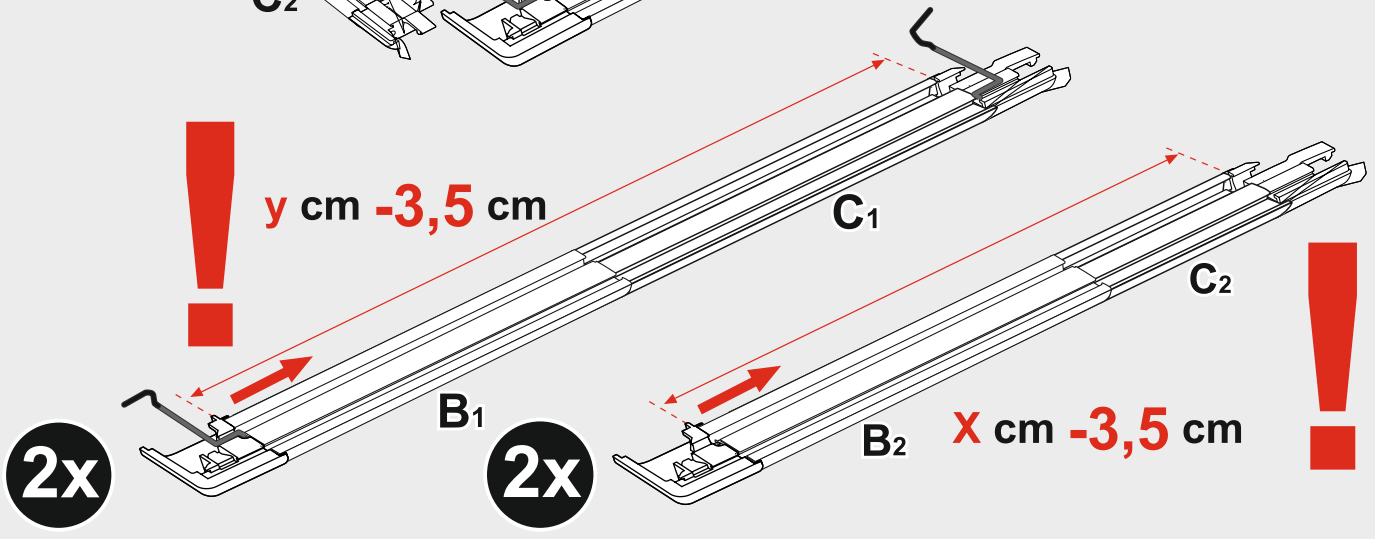
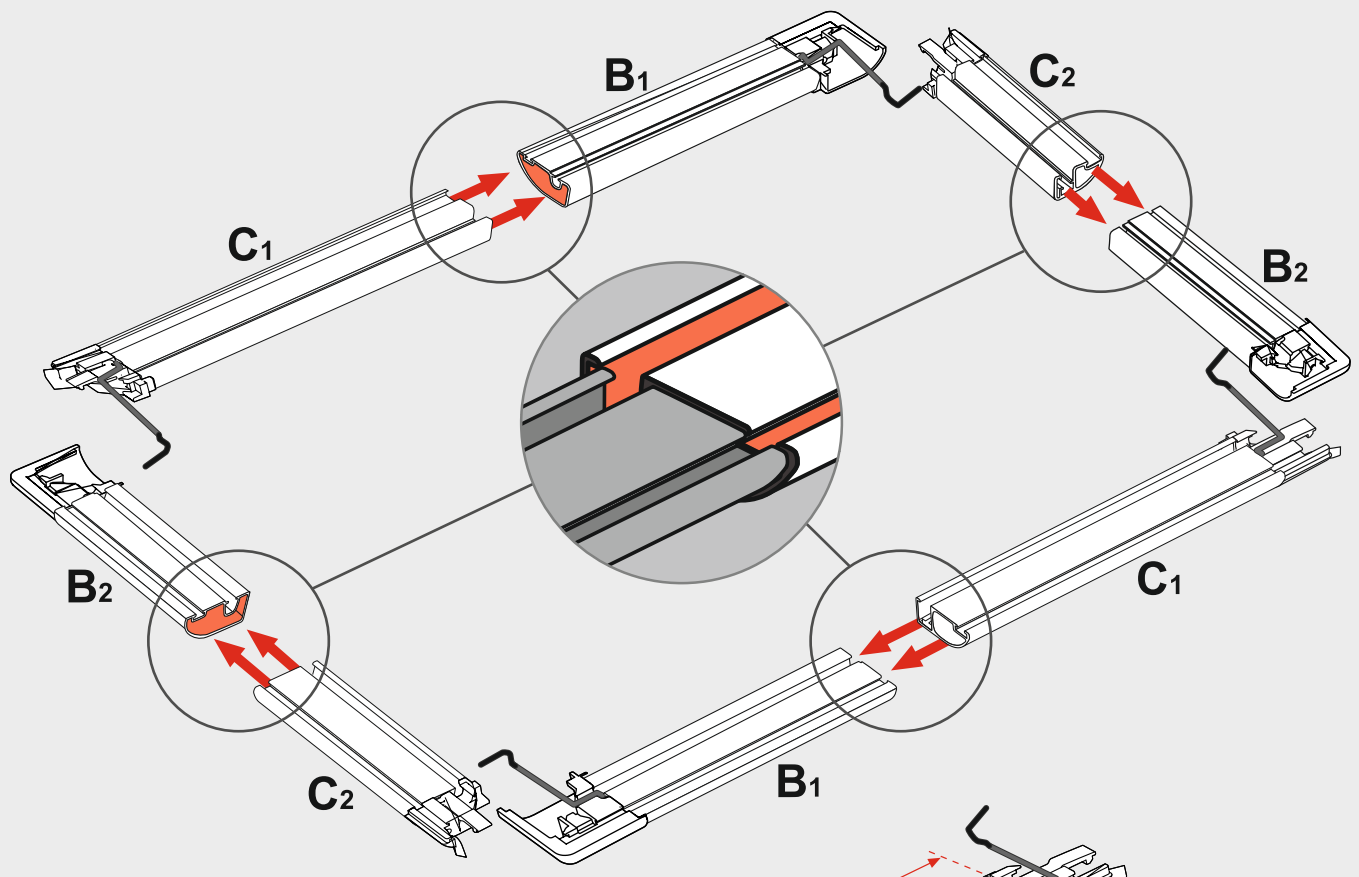
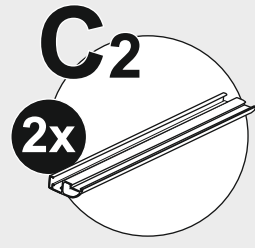
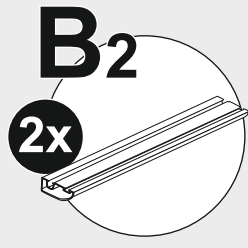
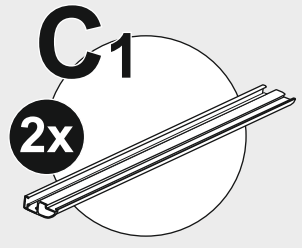
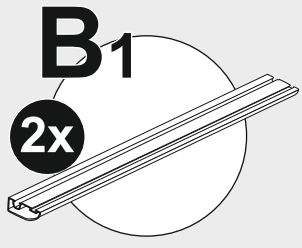


Y = _____

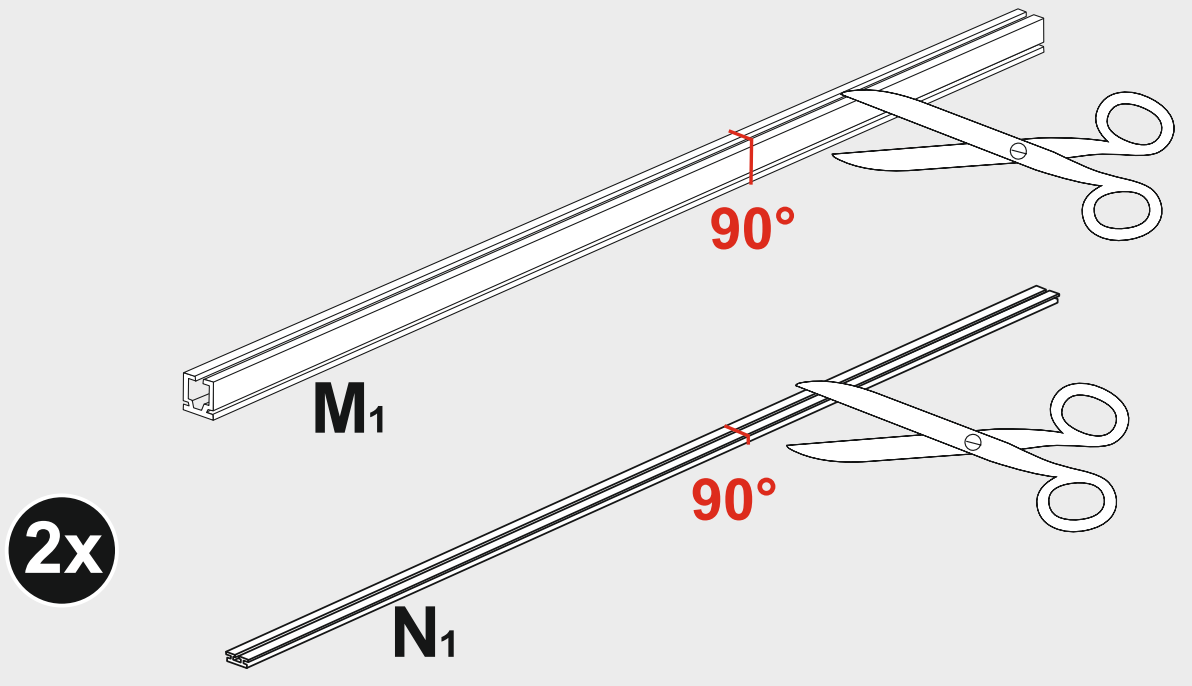
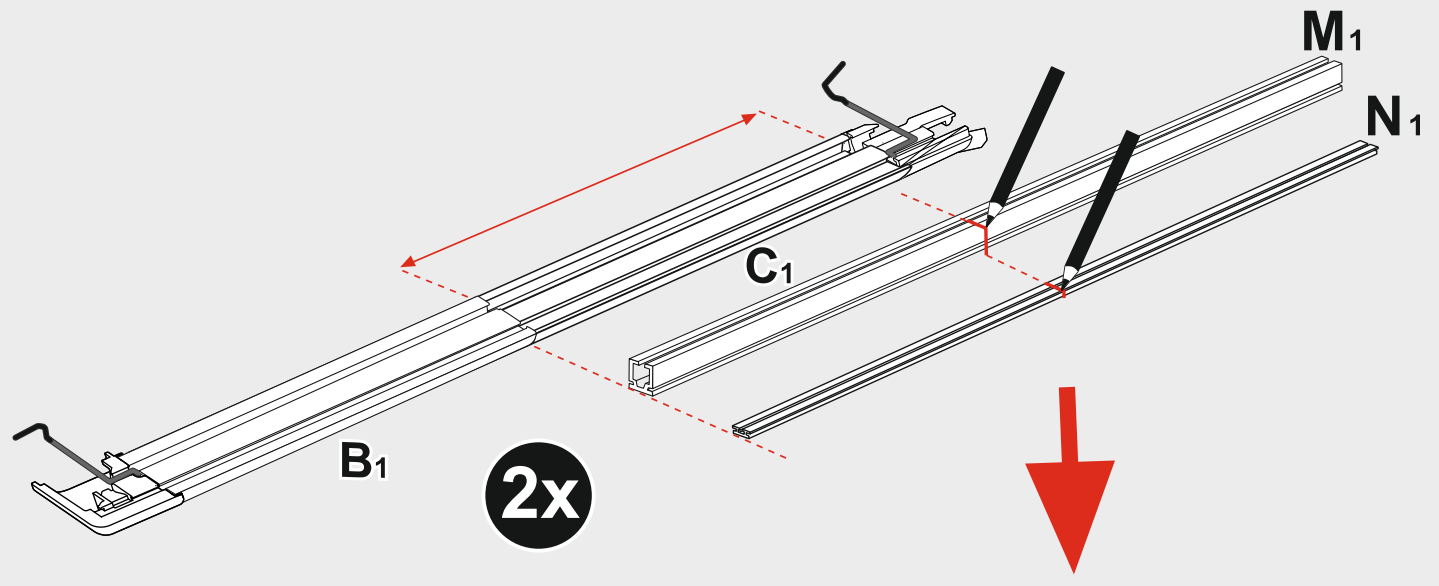
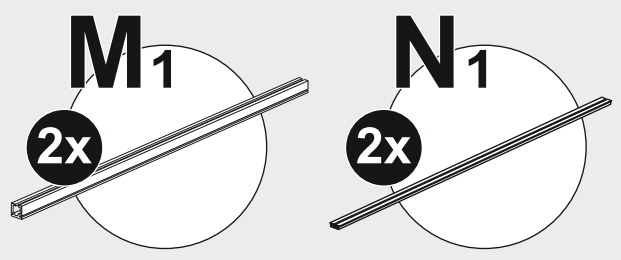
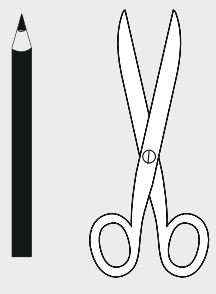


X = _____

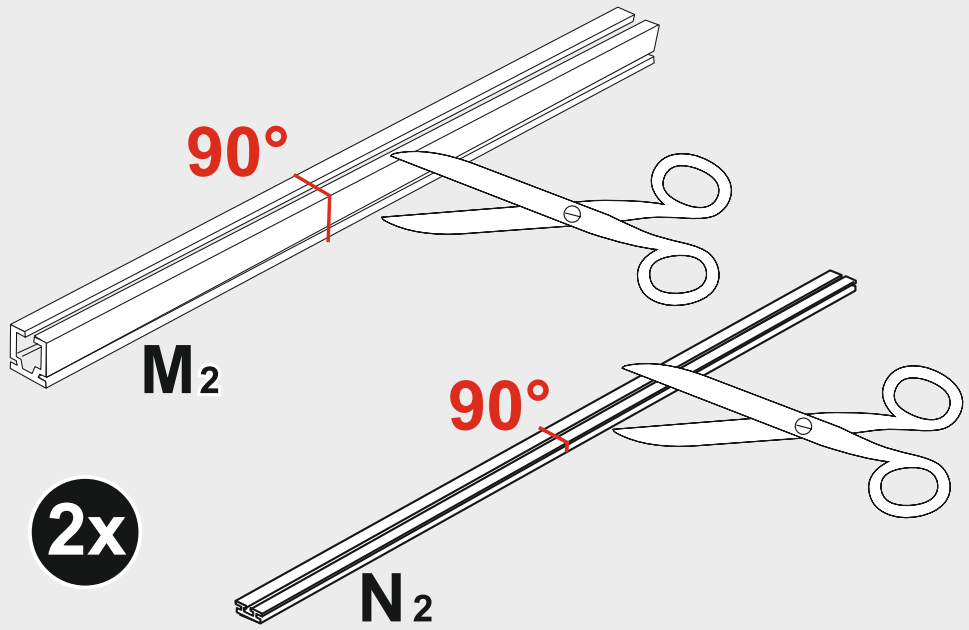
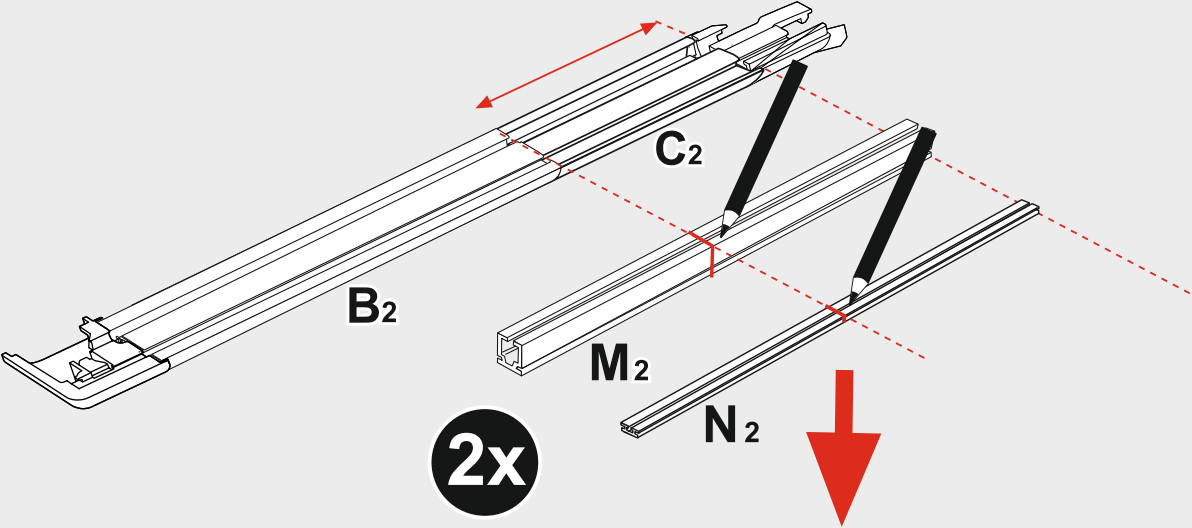
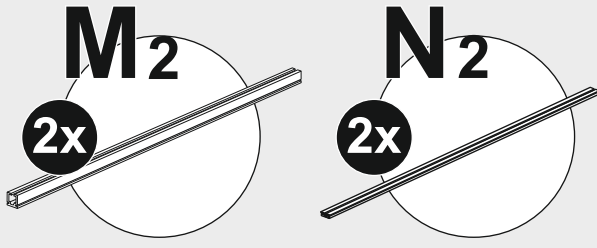
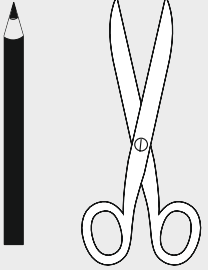
1



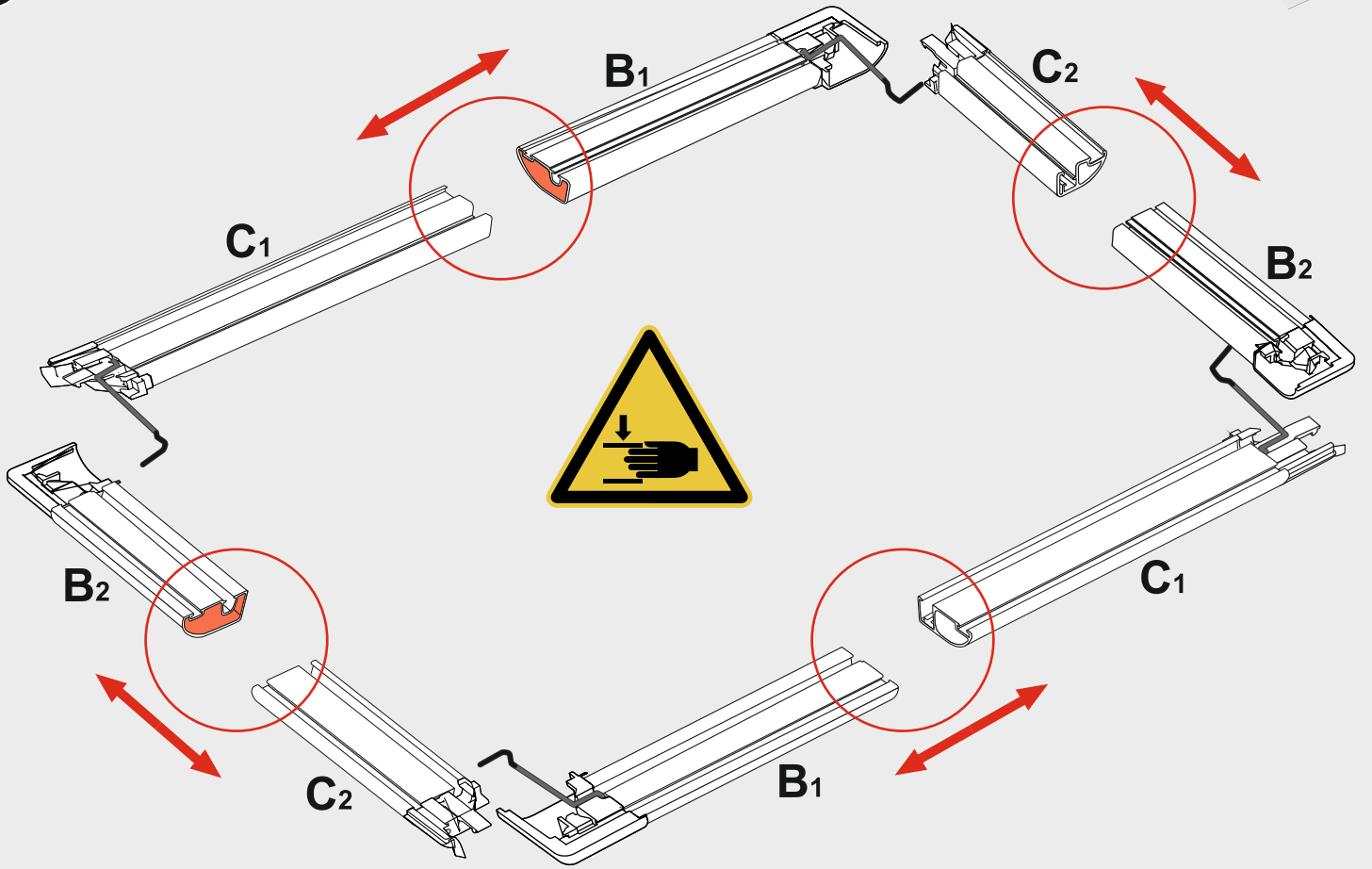
2



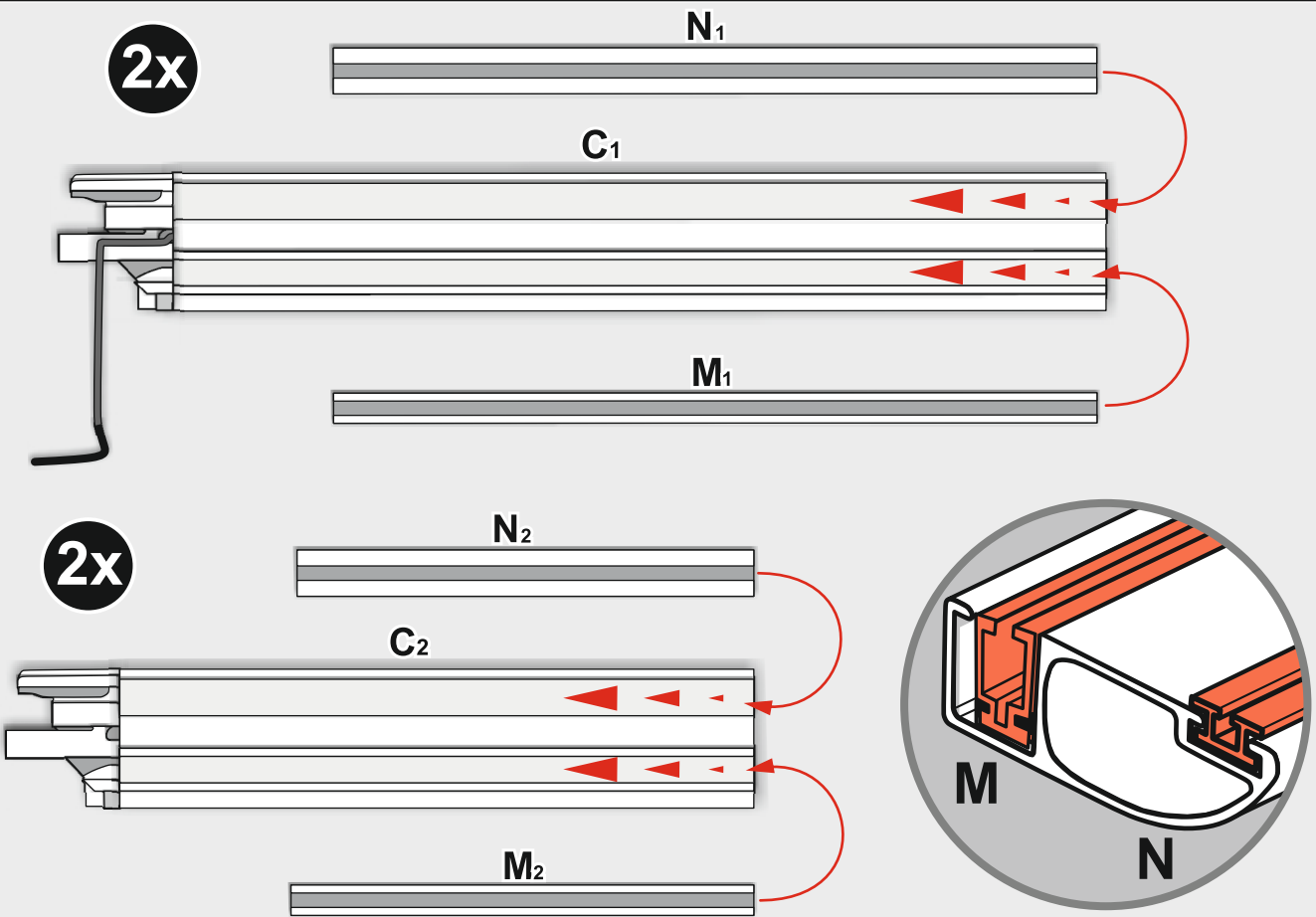
3



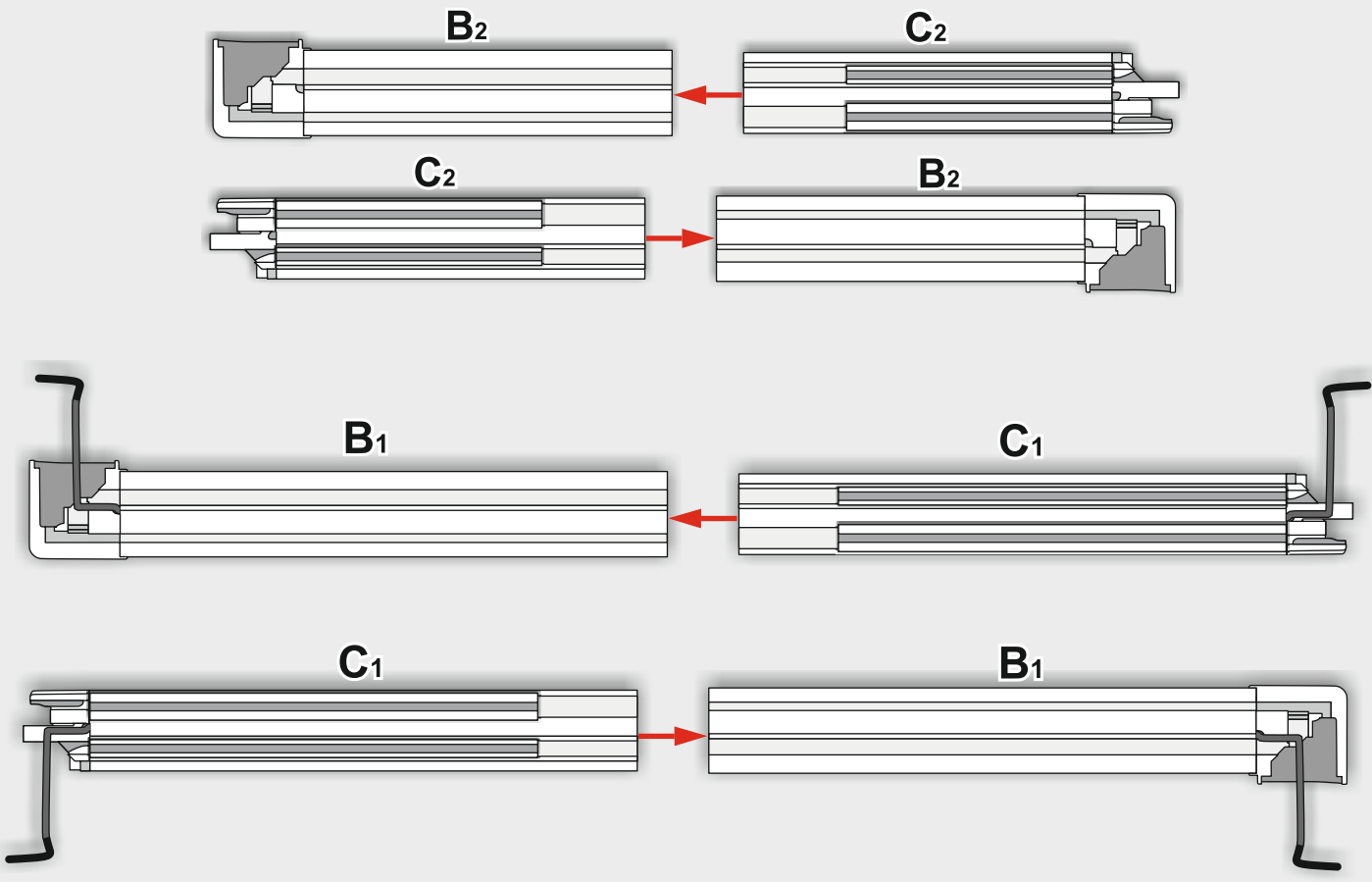
4



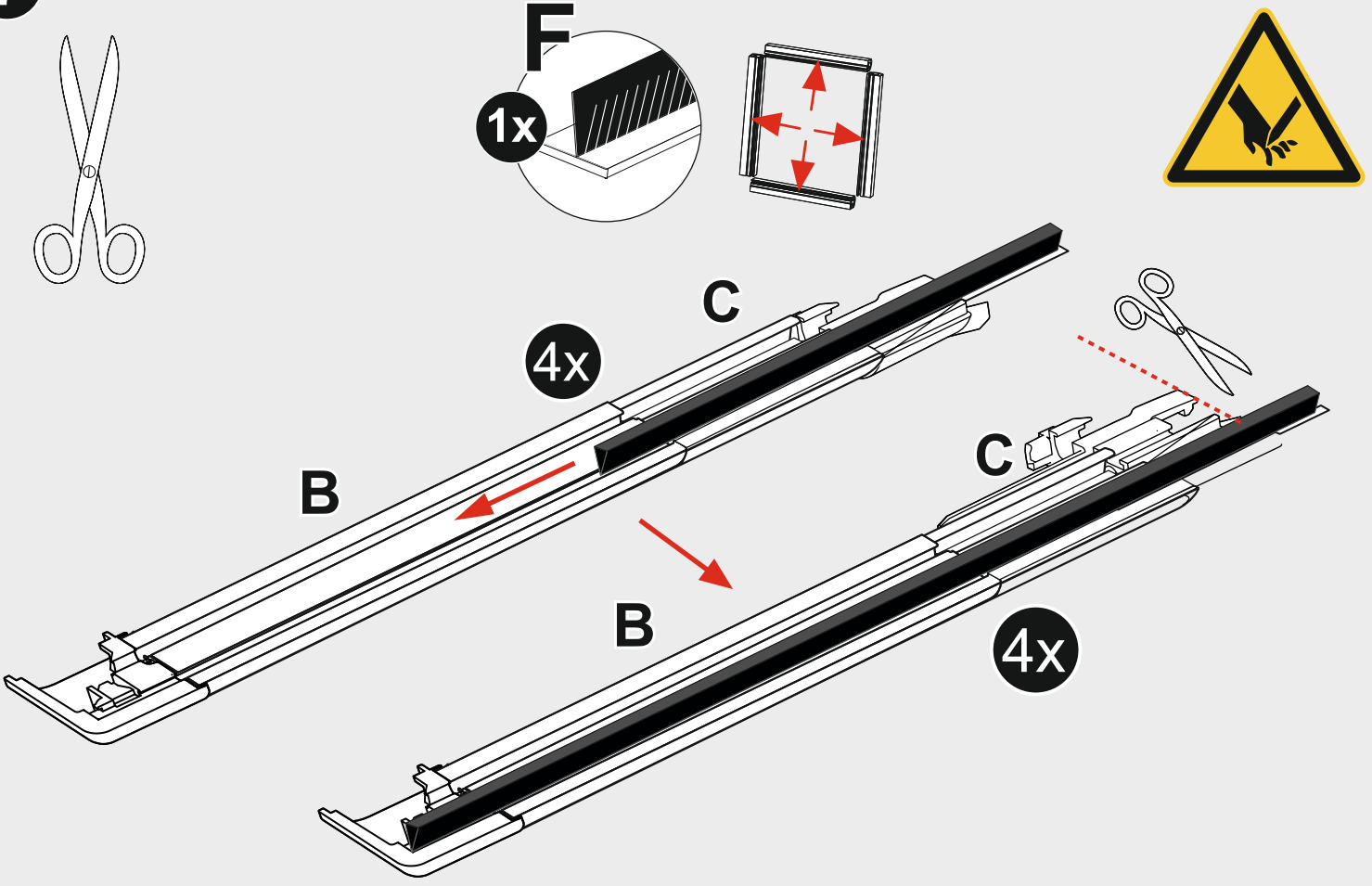
5

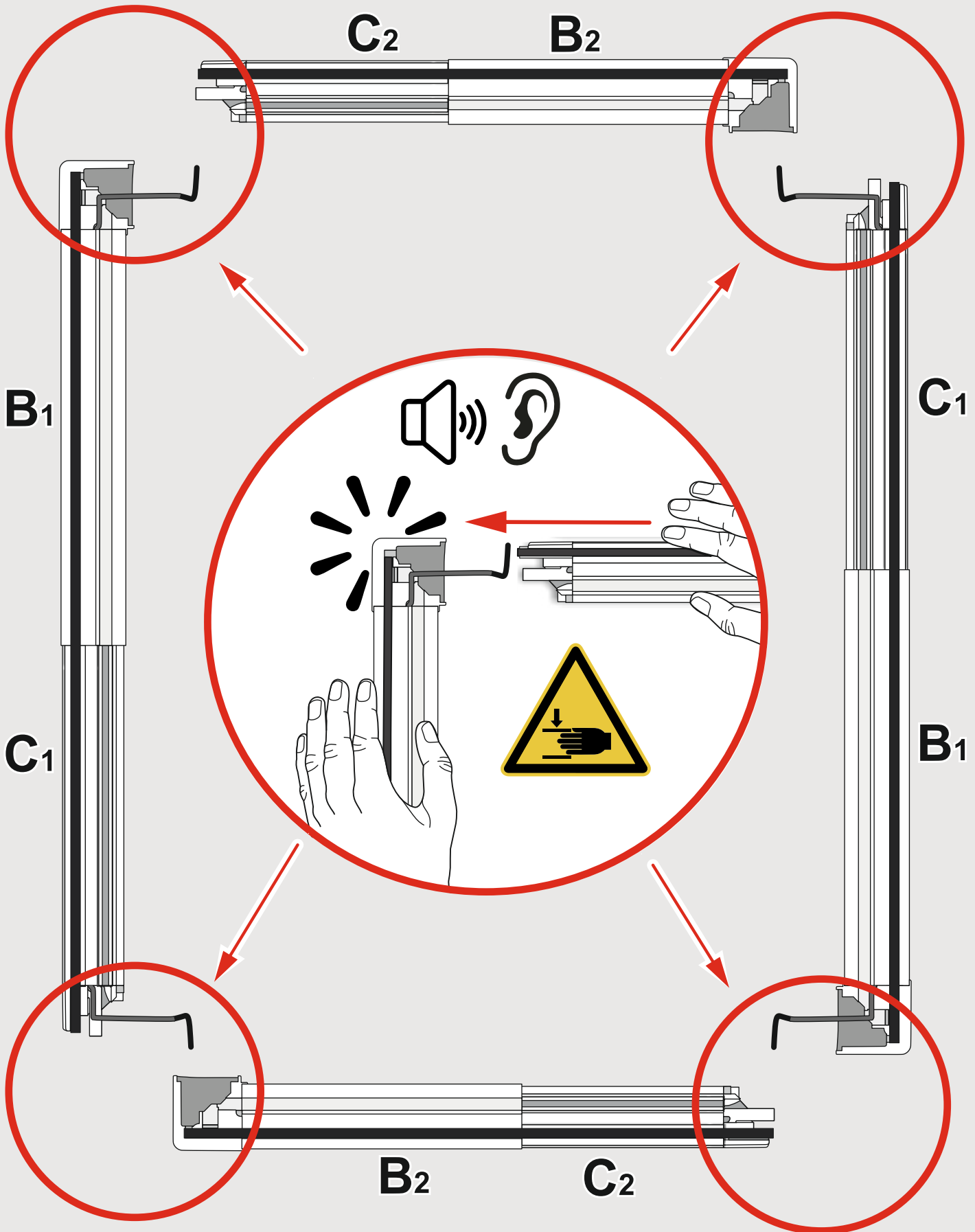


6

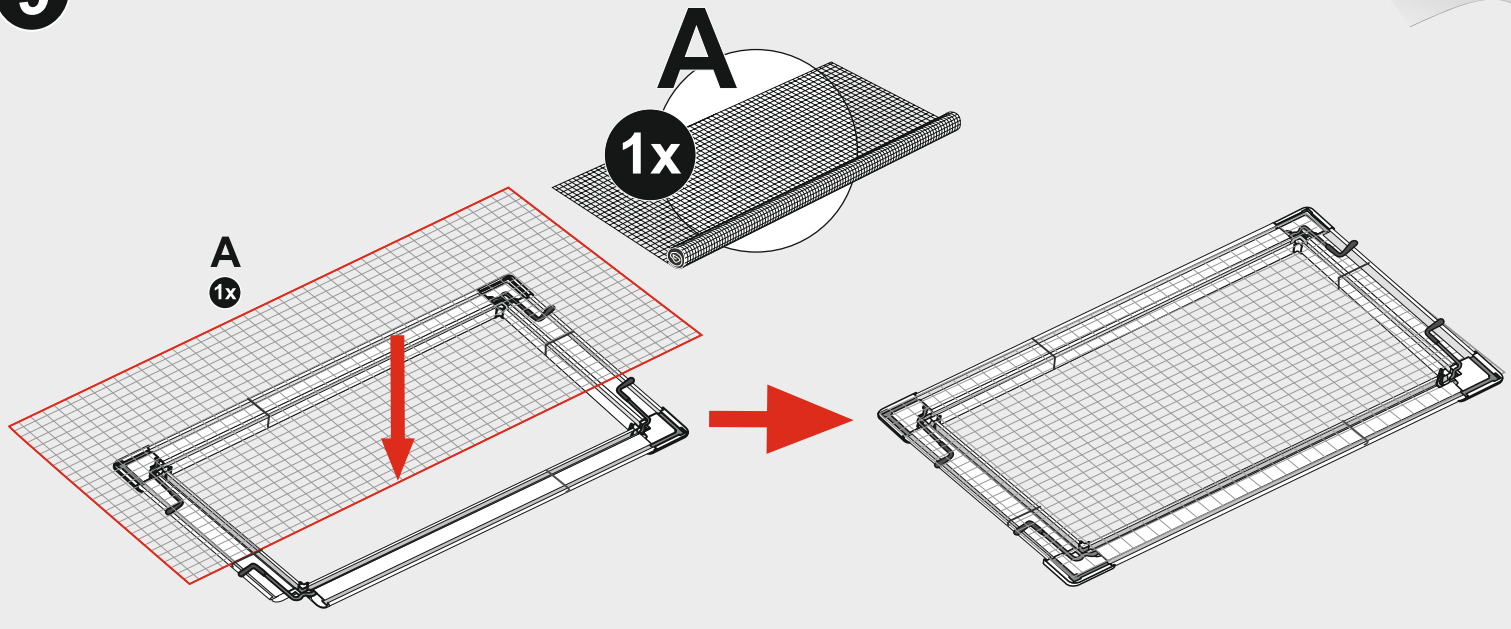


7

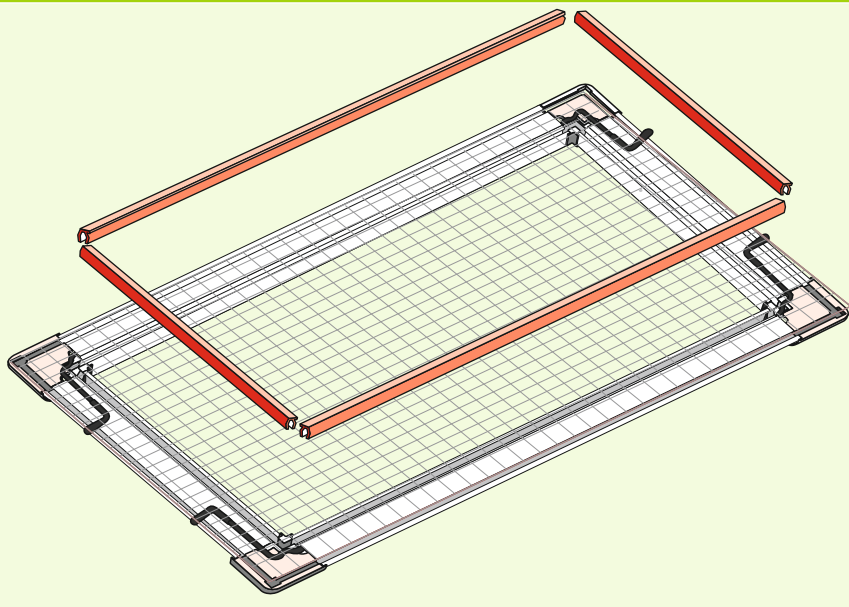




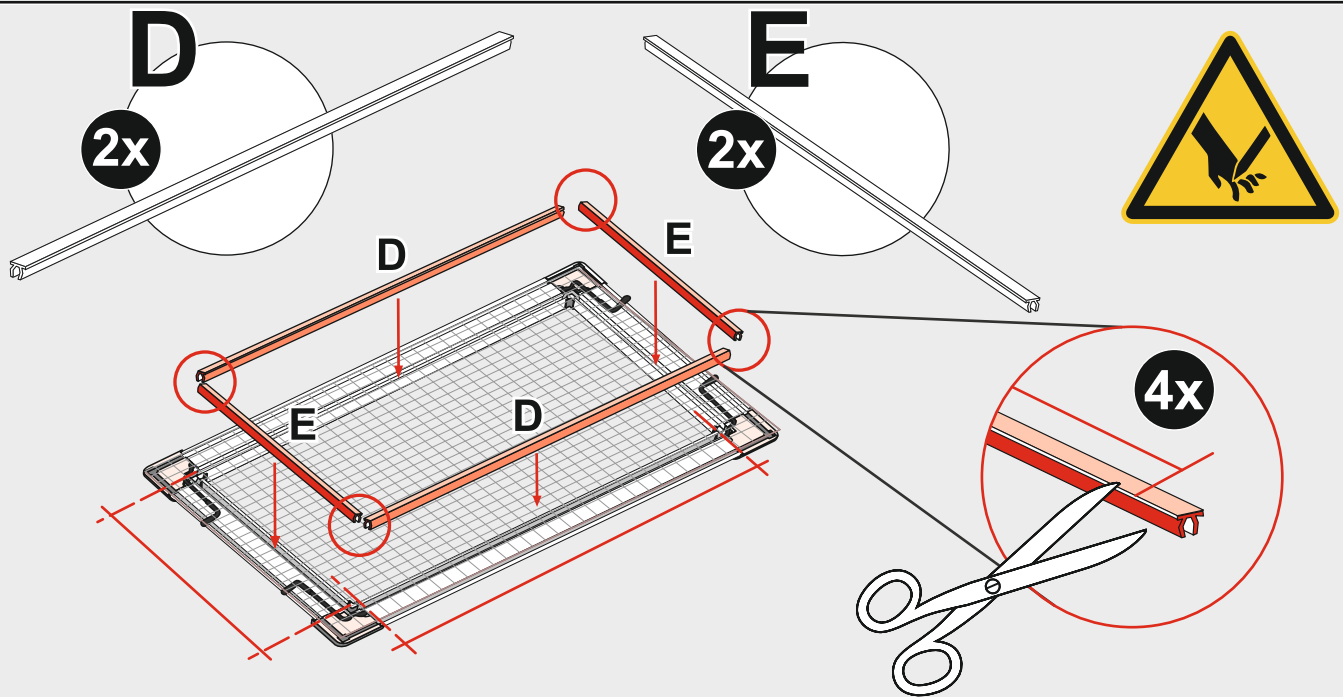
9

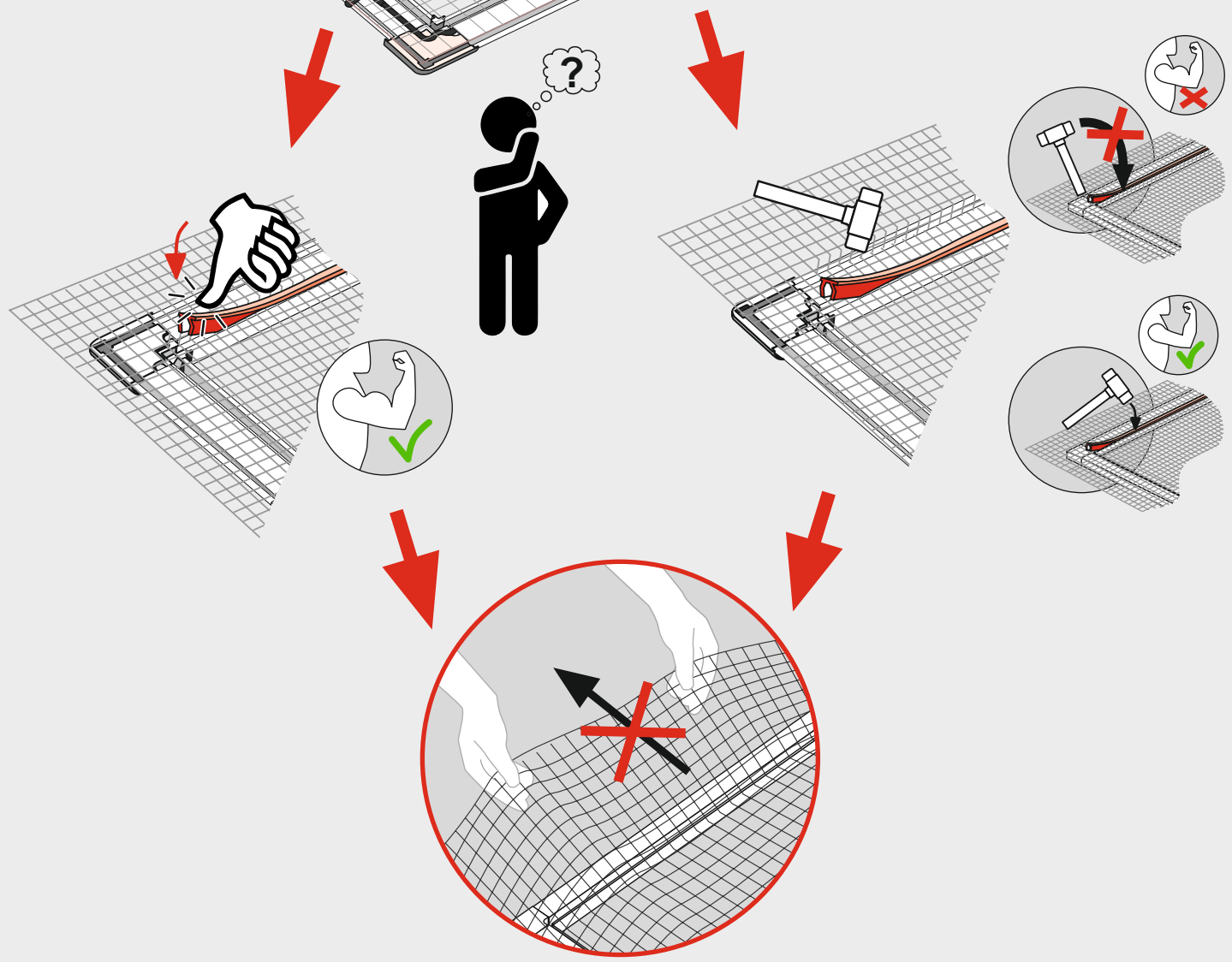
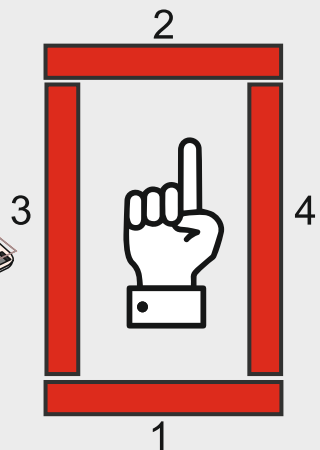
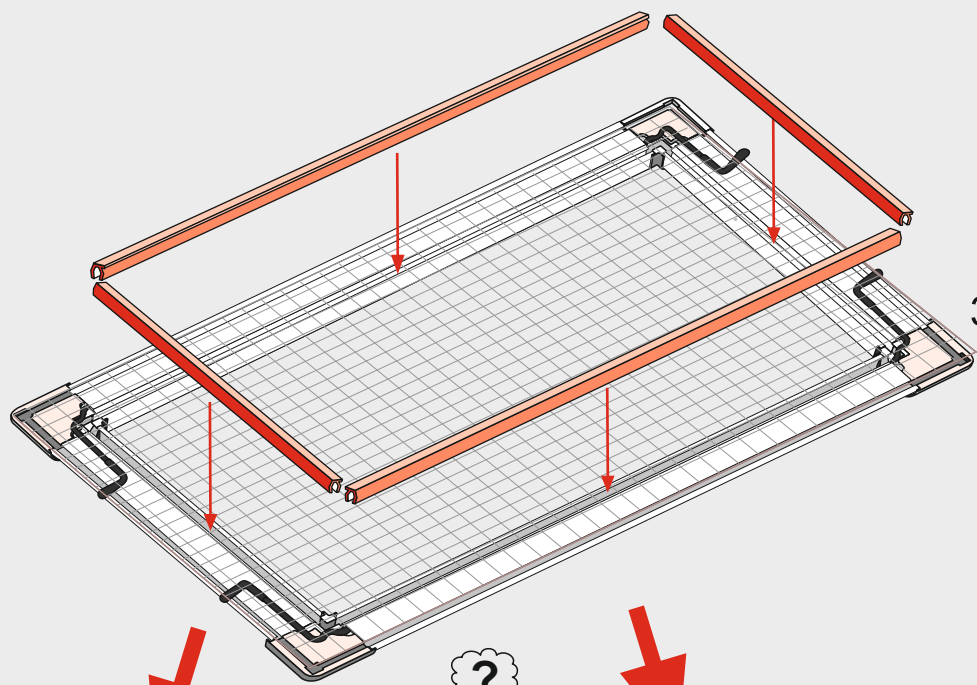
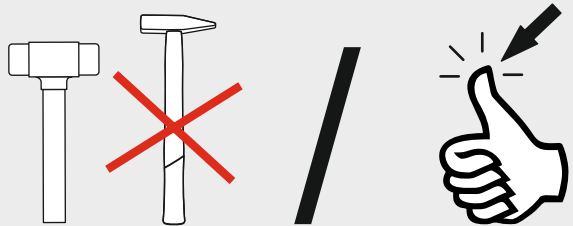


i

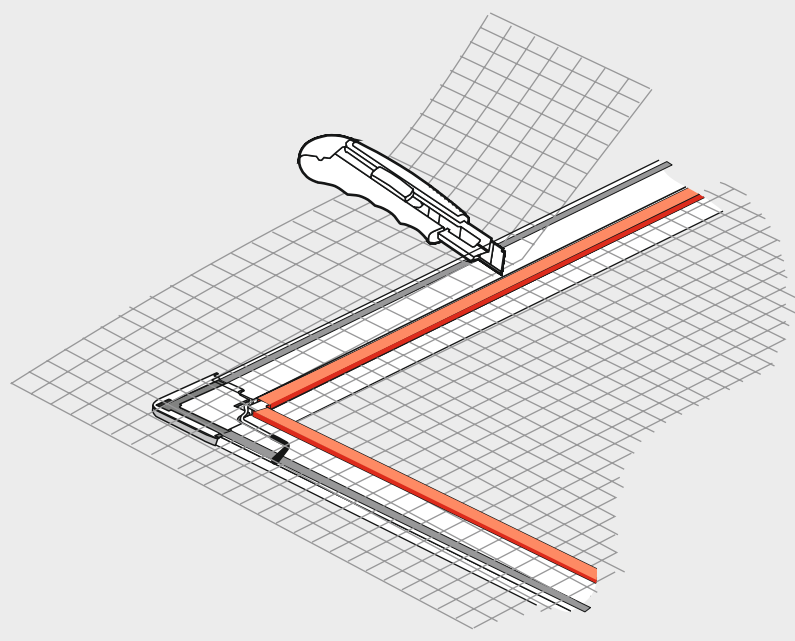
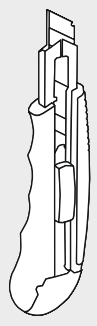


10

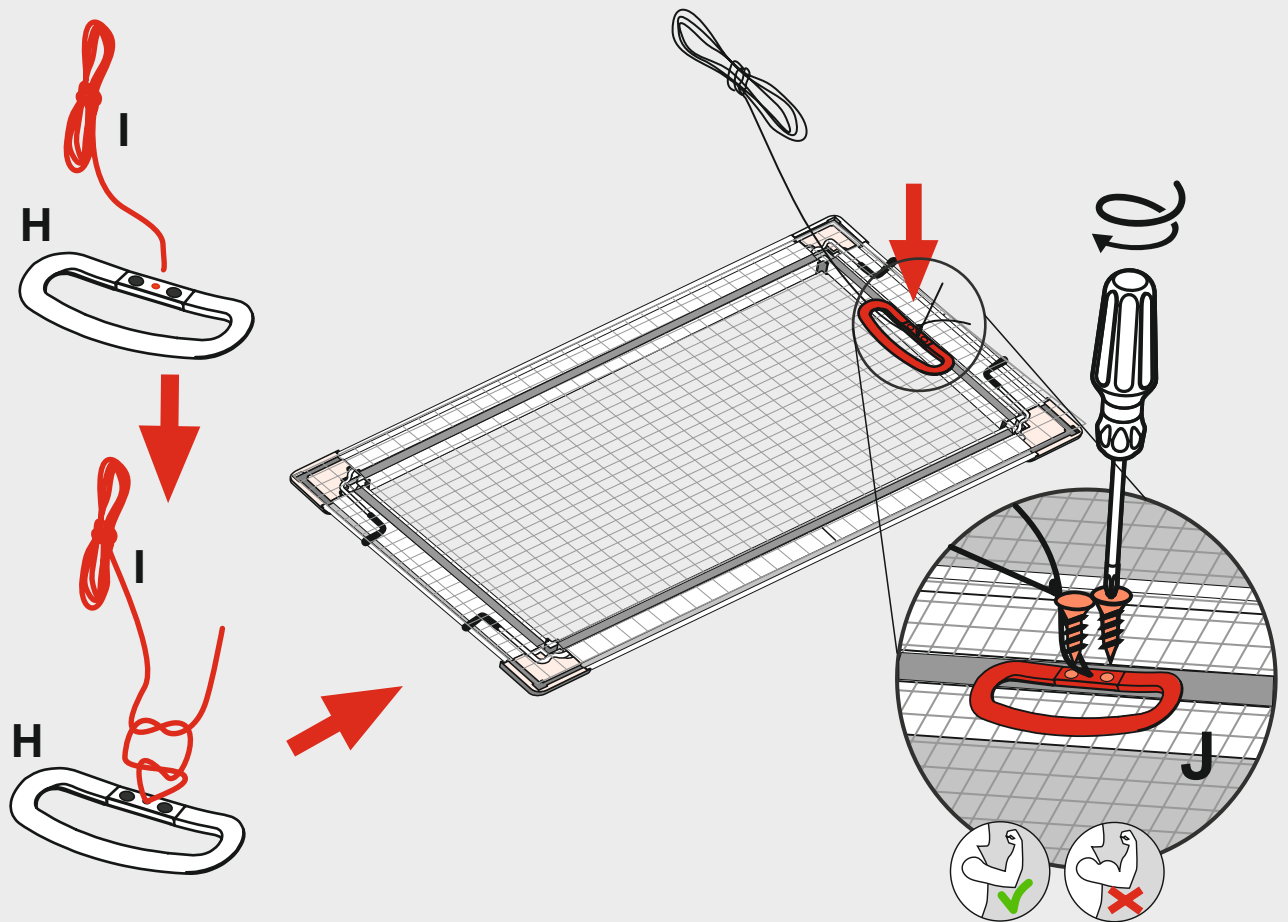
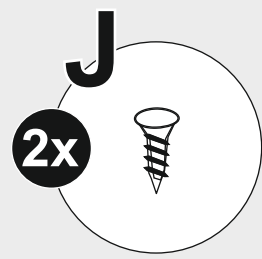
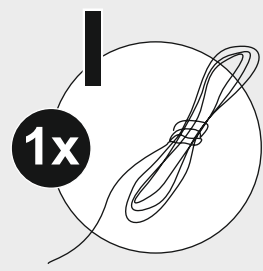
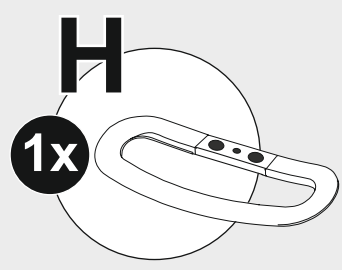
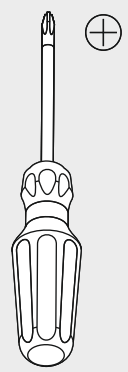




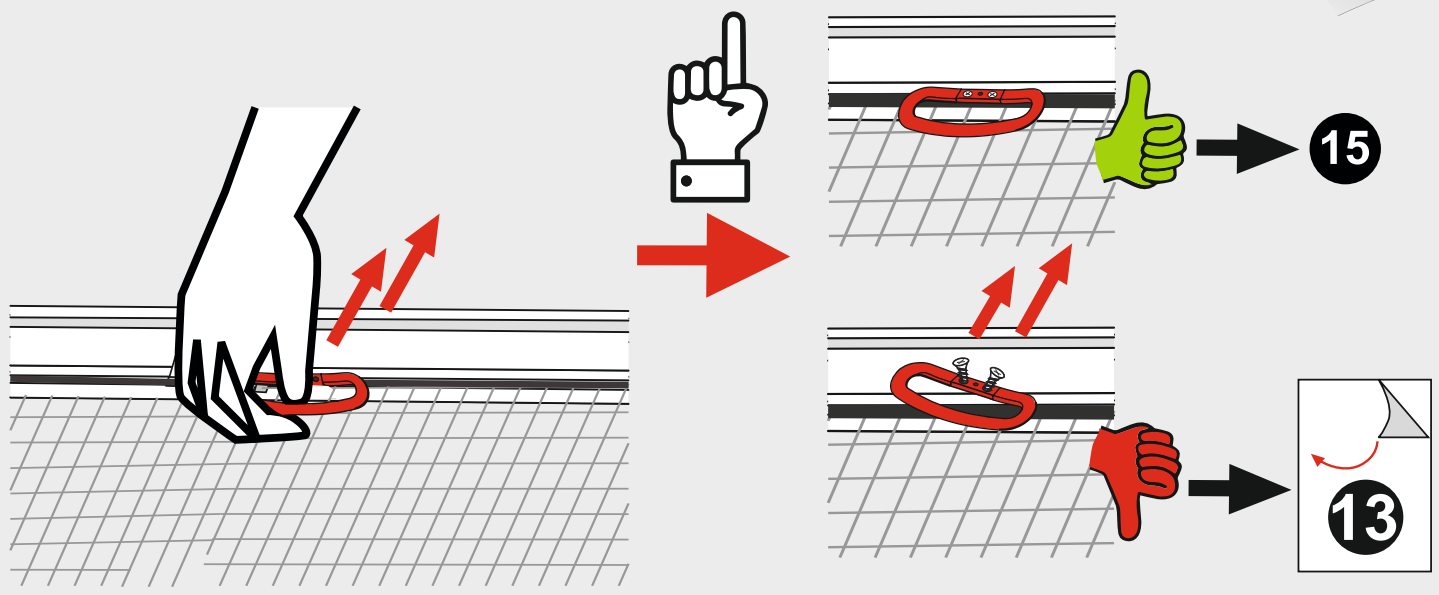
12



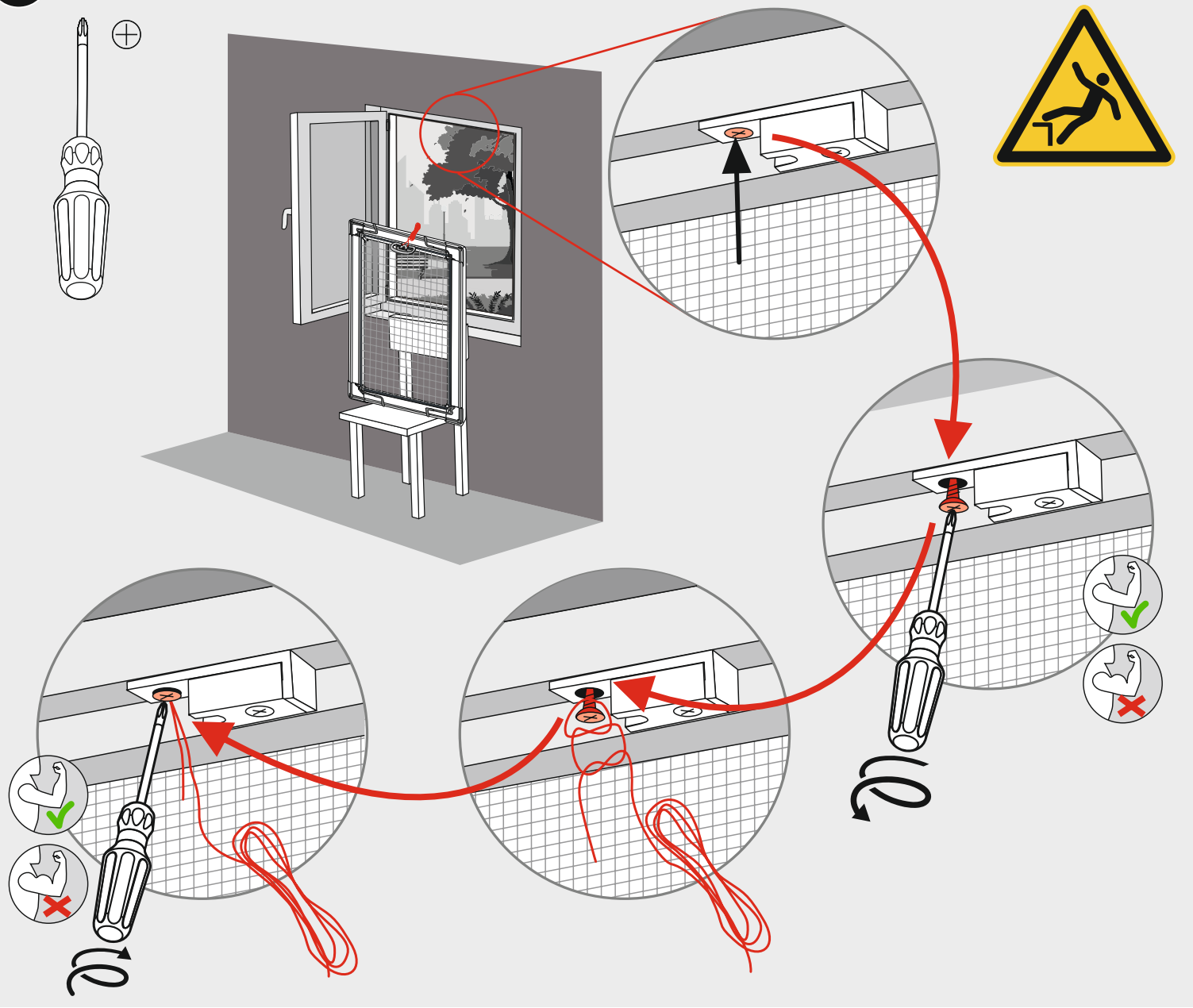
13

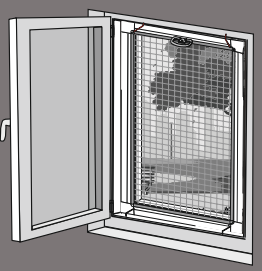
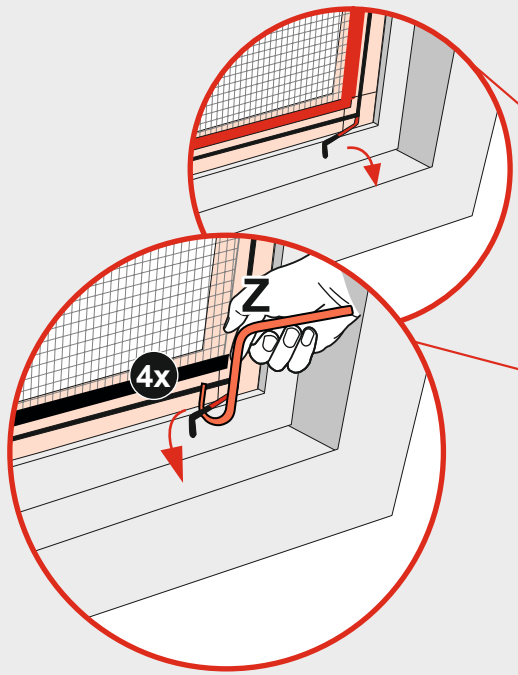
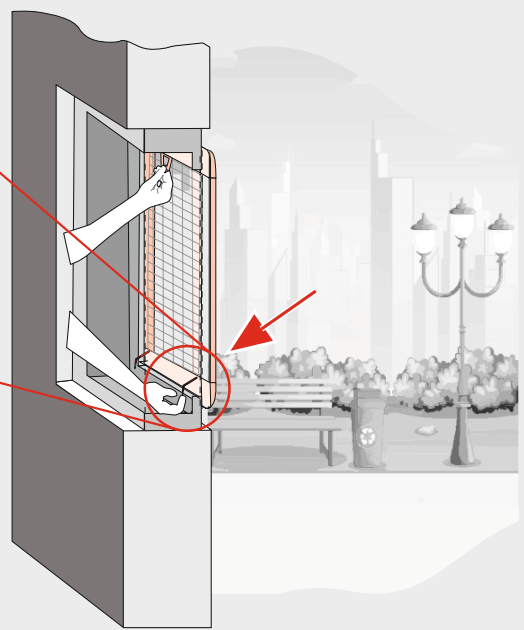
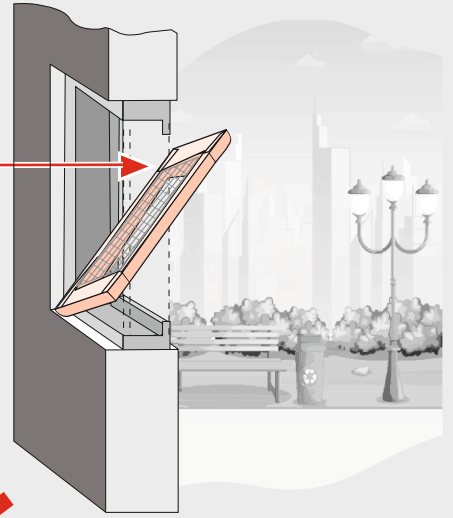
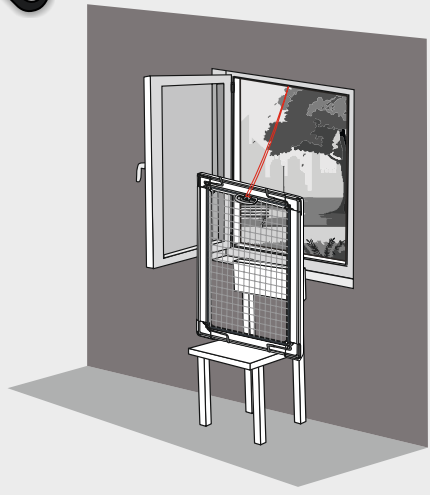
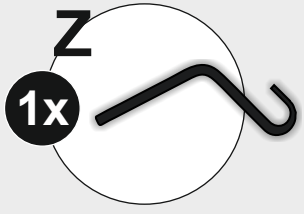


14



15





FR Si vous imprimez ce document, pensez à le trier !

