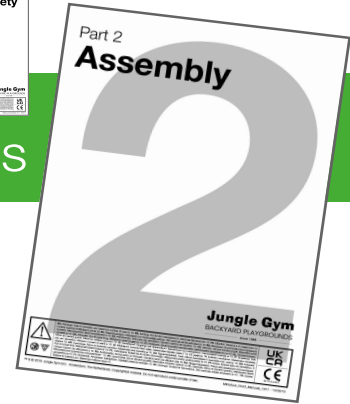


Part 2

Assembly

Instructions



Config ID: h6LSNo

Date: 2023-05-24



Manual Part 1



Important

This assembly manual should always be read in conjunction with the General Safety manual part 1 as included in the hardware package of your playground equipment. Please read these safety instructions carefully before starting the assembly work.

Jungle Gym

BACKYARD PLAYGROUNDS

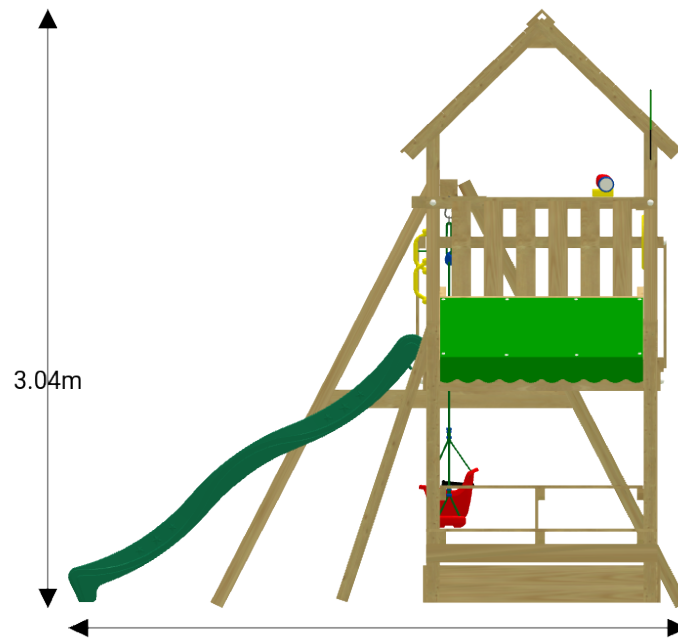
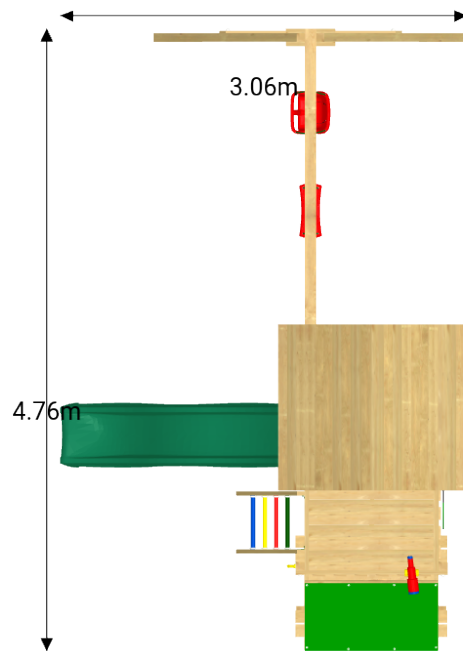
since 1988



EN. Warnings. Only for domestic use. Maximum number of users is **4**. **DE.** Achtung. Nur für den Hausgebrauch. Maximale Benutzerzahl: **4**. **FR.** Attention. Réserve à un usage privé. Le nombre maximal d'utilisateurs est de **4**. **NL.** Waarschuwingen. Uitsluitend voor huishoudelijk gebruik. Het maximale aantal gebruikers is **4**. **BG.** Внимание. За употреба само в домашни условия. Максималният брой потребители е **4**. **ES.** Advertencias. Sólo para uso doméstico. Número máximo de usuarios: **4**. **CS.** Varování. Jen pro domácí použití. Maximální počet uživatelů je **4**. **DA.** Advarsler. Kun til privat brug. Maksimum antal brugere er **4**. **ET.** Hoiatused. Ainult koduseks kasutamiseks. Maksimaalne kasutajate arv on **4**. **EL.** Προειδοποιήσεις. Μόνο για οικιακή χρήση. Μέγιστος αριθμός χρηστών **4**. **IS.** Varnaðarorð. Eingöngu fyrir einkanotkun í heimahúsum og á einkaloðum. Hámarksfjöldi notenda er **4**. **IT.** Avvertenze. Solo per uso domestico. Massimo numero di utenti è **4**. **LV.** Brīdinājumi. Izmantot tikai mājās. Maksimālais lietotāju skaits ir **4**. **LT.** Įspėjimai. Tik buitiniam naudojimui. Maksimalus naudotojų skaičius **HR.** Upozorenja. Samo za kućansku uporabu. Maksimalan broj korisnika je **4**. **HU.** Figyelmeztetések. Csak otthoni használatra! A használók max. száma: **4**. **NO.** Advarsler. Kun for privat bruk. Maksimalt antall brukere er **4**. **PL.** Ostrzeżenia. Wyłącznie do użytku domowego. Maksymalna liczba użytkowników to **4**. **PT.** Avisos. Apenas para uso doméstico. O número máximo de utilizadores é **4**. **RO.** Avertismente. Numai pentru uz domestic. Numărul maxim de utilizatori este **4**. **RU.** Предостережения. Только для домашнего использования. Максимальное количество пользователей - **4**. **SK.** Upozornenia. Iba na domáce použitie. Maximálne množstvo osôb je **4**. **SL.** Opozorila. Samo za domačo uporabo. Maksimalno število uporabnikov je **FI.** Varoitukset. Ainoastaan kotikäyttöön. Käyttäjää yhteensä enintään **4**. **SR.** Upozorenja. Samo za kućnu upotrebu. Maksimalan broj korisnika je **4**. **SV.** Varningar. Endast för hemmabruk. Det maximala antalet användare är **4**. **TR.** Uyarılar. Sadece ev kullanımı için. Maksimum kullanıcı sayısı **8**.



1 Views

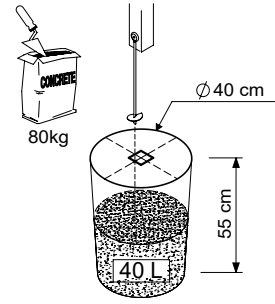
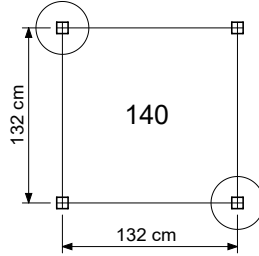
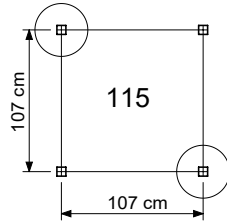
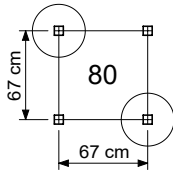
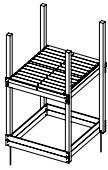


2 Order list

Nr.	SKU	Description	ID	Amount
1	792_002	Base Tower 115_ 240240	BT11	1
2	792_105	Extension Tower 11580_220_up/ down	ET11	1
3	792_202	Roof Club 115	RF08	1
4	790_301	Balustrade 80	BL01	1
5	792_301	Balustrade 115	BL03	1
6	792_301	Balustrade 115	BL04	2
7	790_432	Ladder 80_145	LA03	1
8	792_503	Picnic 115	PC06	1
9	792_901	Slide/ balustrade 115	SL09	1
10	757_154	2- Swing Module 220	SW13	1
11	194_119	AP Accessory set	AC01	1
12	250_034	Swing Seat Kit • Red	AC21	1
13	250_025	Baby Swing Kit • Red	AC24	1
14	324_x00	Wavy Star Slide XL	324_x00	1

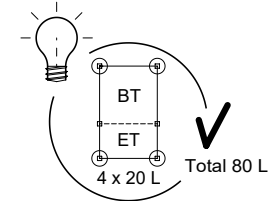
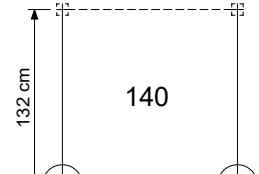
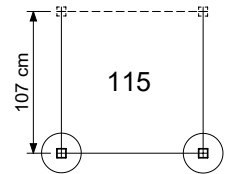
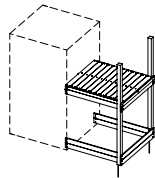
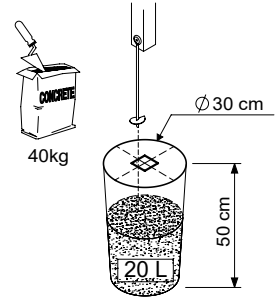
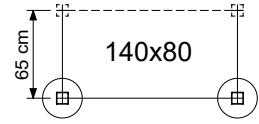
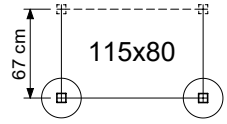
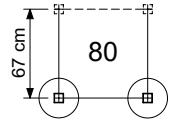
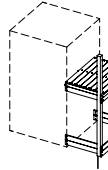
3 Anchor Plan

BASE TOWERS

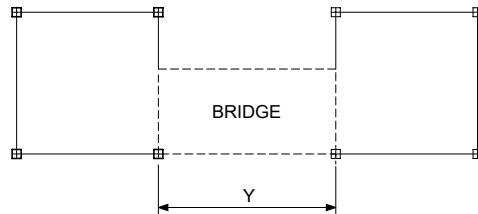
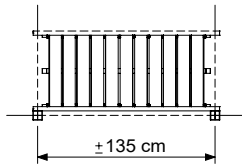
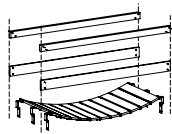


Ground Anchors Unit. - P01 - 14/04/2023 - v1.1

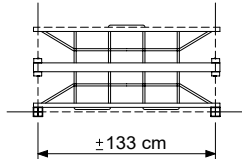
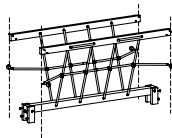
EXTENSION TOWERS



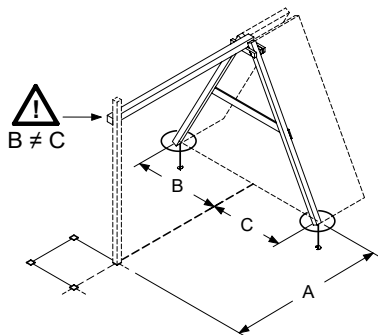
CLATTER BRIDGE



NET BRIDGE

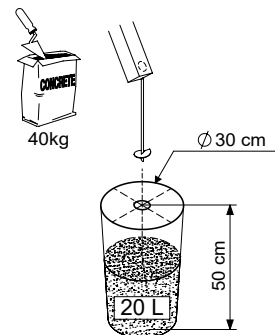


SWING / CLIMB MODULE

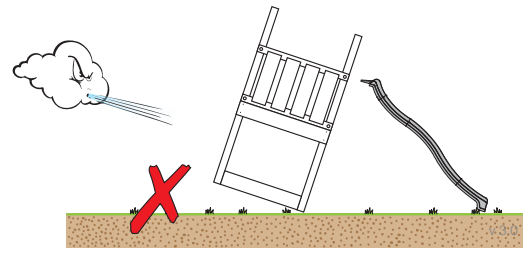
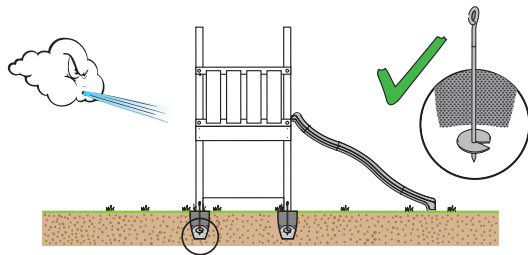
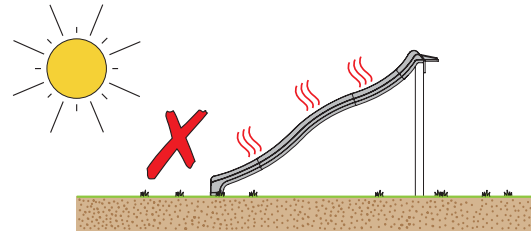
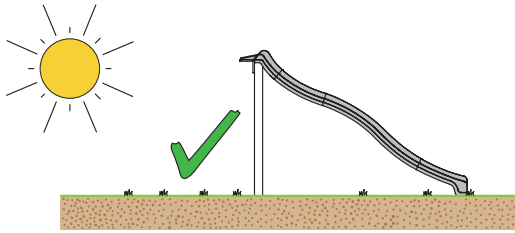
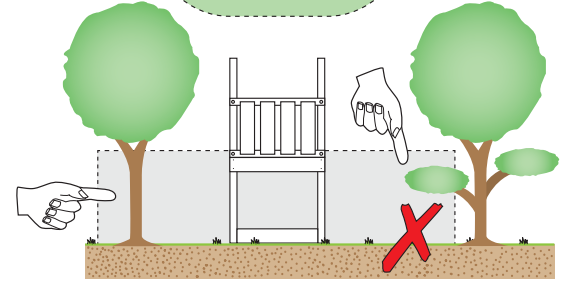
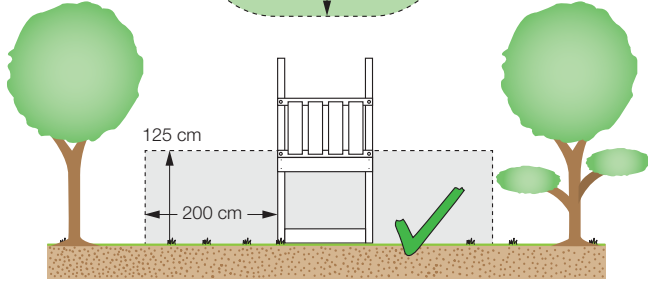
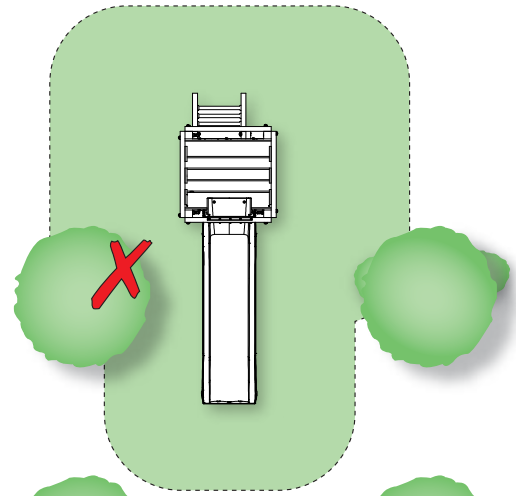
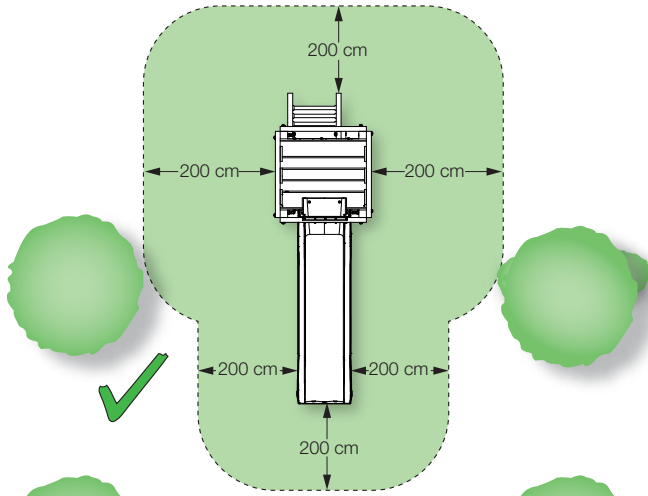
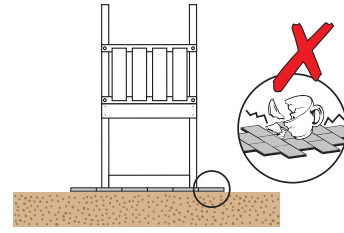
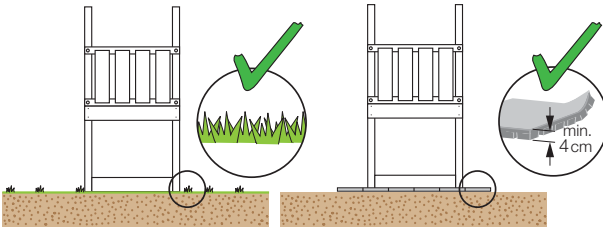
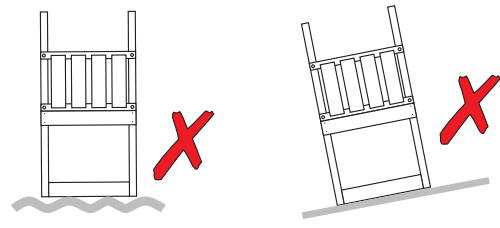
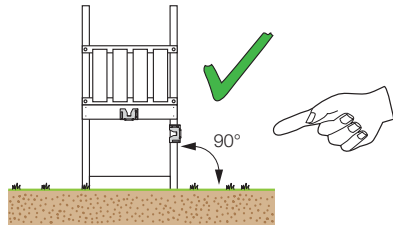


Module type	A	B	C
1-Swing 200	150	115	100
1-Swing 220 / 220 Extra		120	105
2-Swing 200	210	115	100
2-Climb 200			
1-Climb 200	142	120	105
1-Climb 220 / 220 Extra	162		
2-Swing 220 / 220 Extra	230	120	105
2-Climb 220 / 220 Extra			

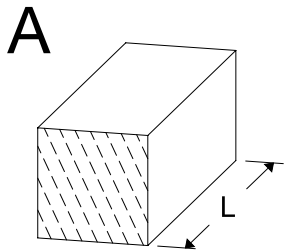
Ground Anchors Unit. - P02 - 14/04/2023 - v1.1



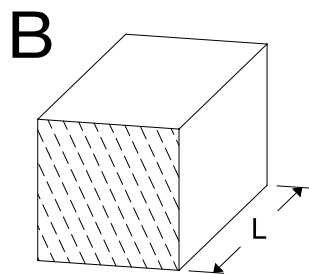
3.1 Safe Playground



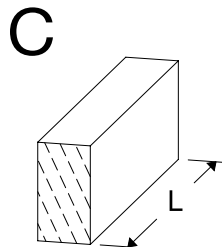
4 Timber parts



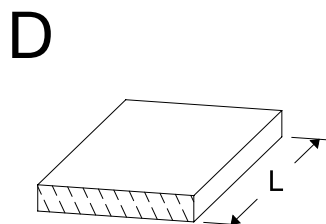
ID	L	#
A220	219 cm - 220 cm	2
A240	239 cm - 240 cm	6



B240	239 cm - 240 cm	1
------	-----------------	---

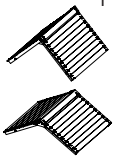





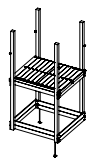
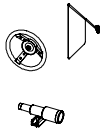
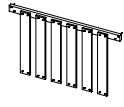
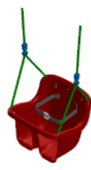

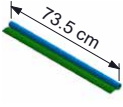



C37	36 cm - 37 cm	5
C70	69 cm - 70 cm	1
C74	73 cm - 74 cm	7
C84	83 cm - 84 cm	3
C90	89 cm - 90 cm	2
C96	85 cm - 96 cm	2
C114	113 cm - 114 cm	10
C141	140 cm - 141 cm	2
C150	149 cm - 150 cm	2



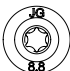
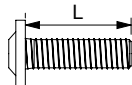
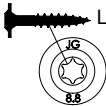
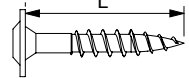

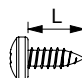

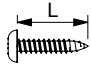

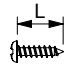

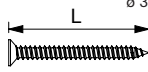


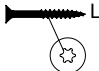
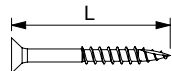


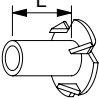




D47	46 cm - 47 cm	1
D65	64 cm - 65 cm	25
D74	73 cm - 74 cm	6
D100	99 cm - 100 cm	29
D114	113 cm - 114 cm	23
D127	126 cm - 127 cm	24
D141	140 cm - 141 cm	2

5 Assembly packs & accessories

<p>Roof Timber 115</p>  <p>RF</p> <p>194_308</p> <p>1x</p>	<p>Slide 2.2m</p>  <p>324_x00</p> <p>1x</p>	<p>Ladder 80 145</p>  <p>194_104</p> <p>LA</p> <p>1x</p>	<p>Slide Frame</p>  <p>194_107</p> <p>SL</p> <p>1x</p>	<p>Balustrade 80</p>  <p>194_101</p> <p>BL</p> <p>2x</p>
<p>Swing Seat</p>  <p>250_034</p> <p>AC</p> <p>1x</p>	<p>Tower 115</p>  <p>194_300</p> <p>BT ET</p> <p>2x</p>	<p>Accessory Set</p>  <p>194_119</p> <p>AC</p> <p>1x</p>	<p>Balustrade 140</p>  <p>194_501</p> <p>BL</p> <p>3x</p>	<p>Baby Swing</p>  <p>250_025</p> <p>AC</p> <p>1x</p>
<p>Hardware 10</p>  <p>194_810</p> <p>H10</p> <p>1x</p>	<p>Canvas 136 x 74cm</p>  <p>123_220</p> <p>1x</p>	<p>Swing Frame Kit</p>  <p>457_102</p> <p>SW</p> <p>1x</p>		

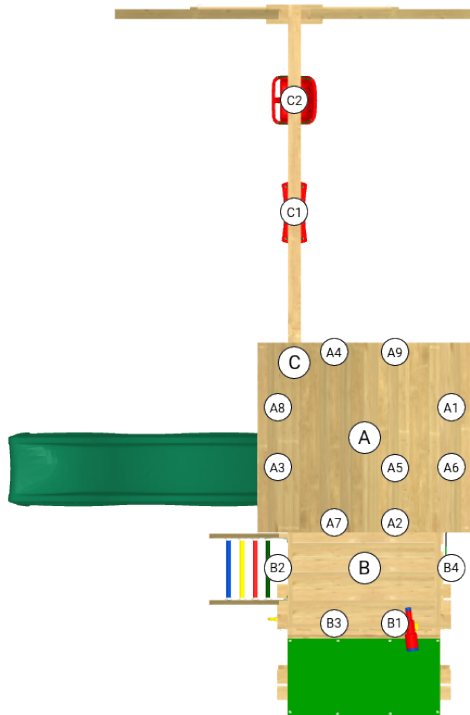
6 Hardware Identification

		L	
		000_101	20 mm
		001_102	30 mm
		001_404 001_406 001_411 001_417 001_422	30 mm 45 mm 60 mm 80 mm 137 mm
		002_036	16 mm
		002_041	20 mm
		002_042	13 mm
		002_301	40 mm

		L	
		002_308 002_219 002_220 002_223	20 mm 30 mm 45 mm 80 mm
	M8	003_010	
	M6	003_034	
	M8	004_050	22mm
		022_845 022_846 022_847 022_848	Yellow Blue Green Red
		023_031	White
		120_005	White

output: 20/11/20

7 Assembly Planning



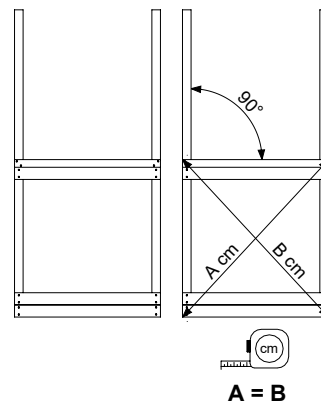
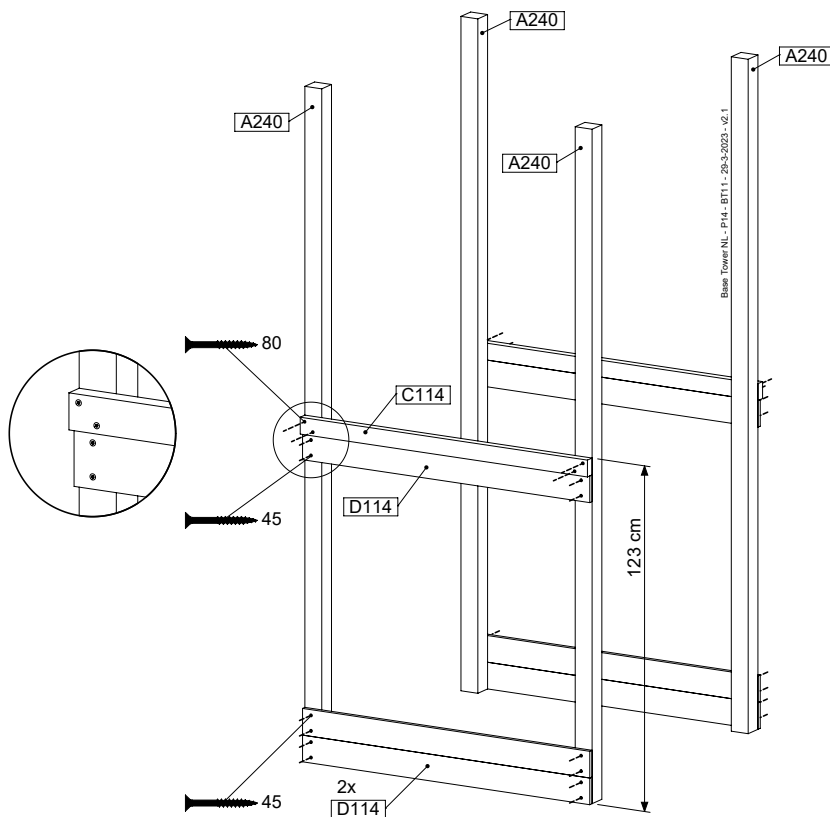
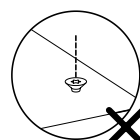
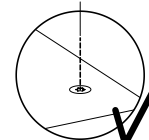
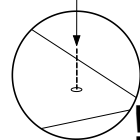
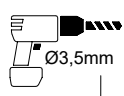
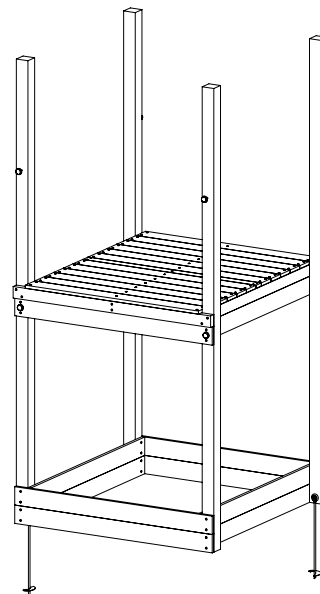
	ID			A	B	C
1	BT11		p.10	✓	-	-
2	ET11		p.13	-	✓	-
3	BL01		p.16	-	B4	-
4	BL03		p.17	A9	-	-
5	BL04		p.18	A6	B3	-
6	RF08		p.19	A5	-	-
7	PC06		p.22	-	B1	-
8	LA03		p.26	-	B2	-
9	SW13		p.29	-	-	✓
10	SL09		p.36	A3	-	-
11	GA		p.39	✓	✓	✓
12	AC01		p.41	✓	-	-

8 BT11: Base Tower 115 125cm 240240

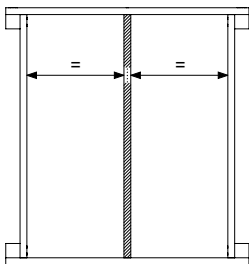
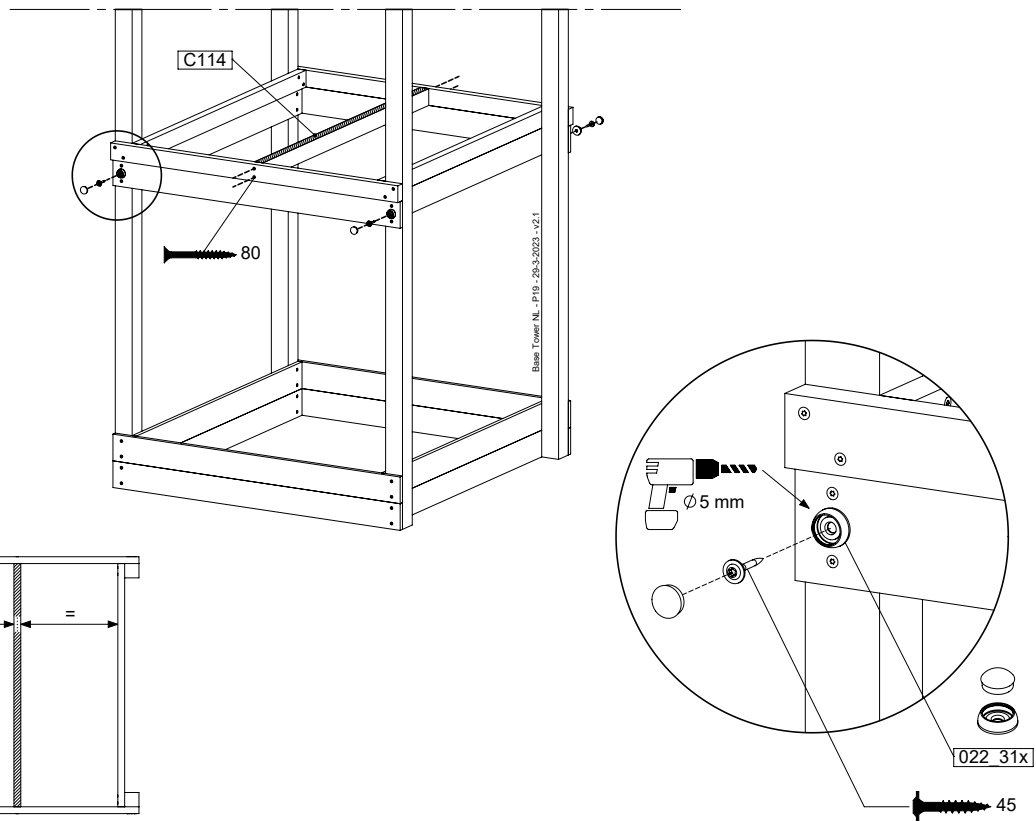
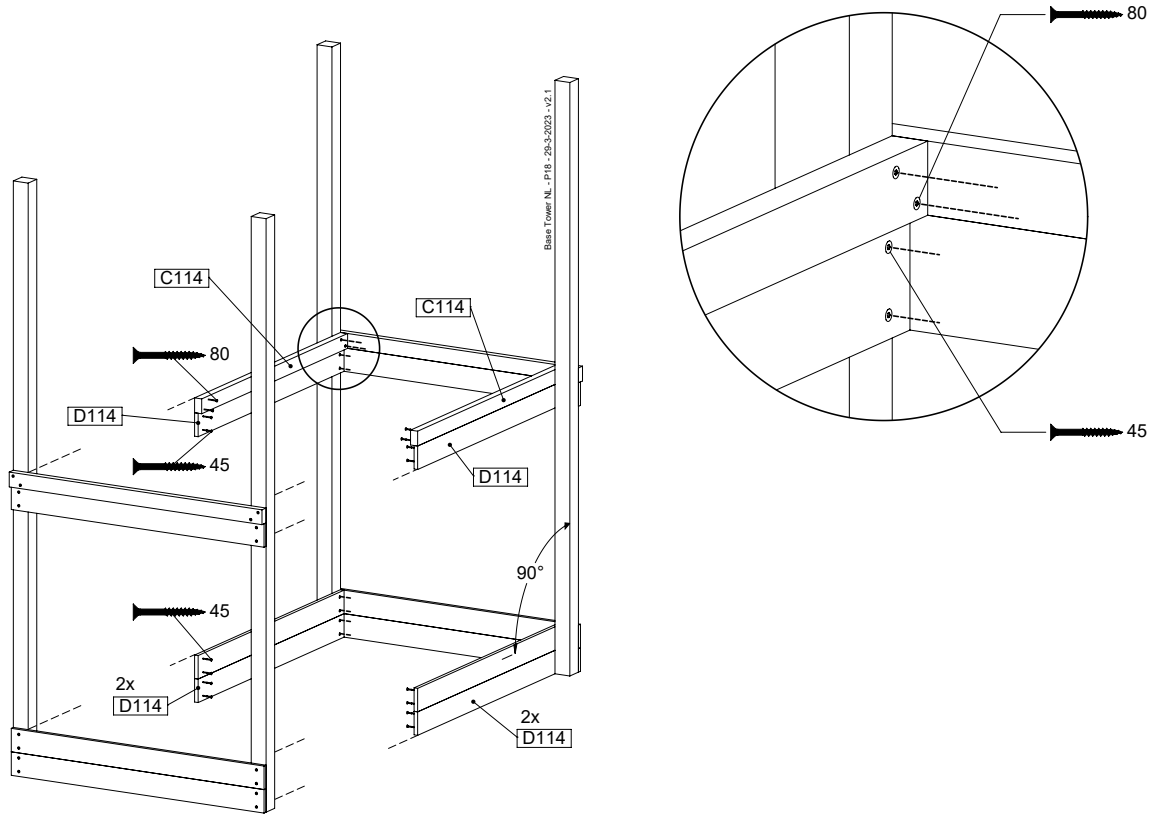
(194_300)

	PartNo	PartName	QTY.
Hardware pack	001_406	Stealth Screw 8x45	6
	001_417	Stealth Screw 8x80	4
	002_220	Gap Point Screw T25 - 5x45	118
	002_223	Gap Point Screw T25 - 5x80	20
	022_31x	bpc-base version 3	8
	022_84x	bpc cover	8
Other	007_001	Ground-anchor	2
Timber	A240	Post 70x70 L2400	4
	C114	Beam 1140 mm	5
	D100	Board 1000 mm	14
	D114	Board 1140 mm	12

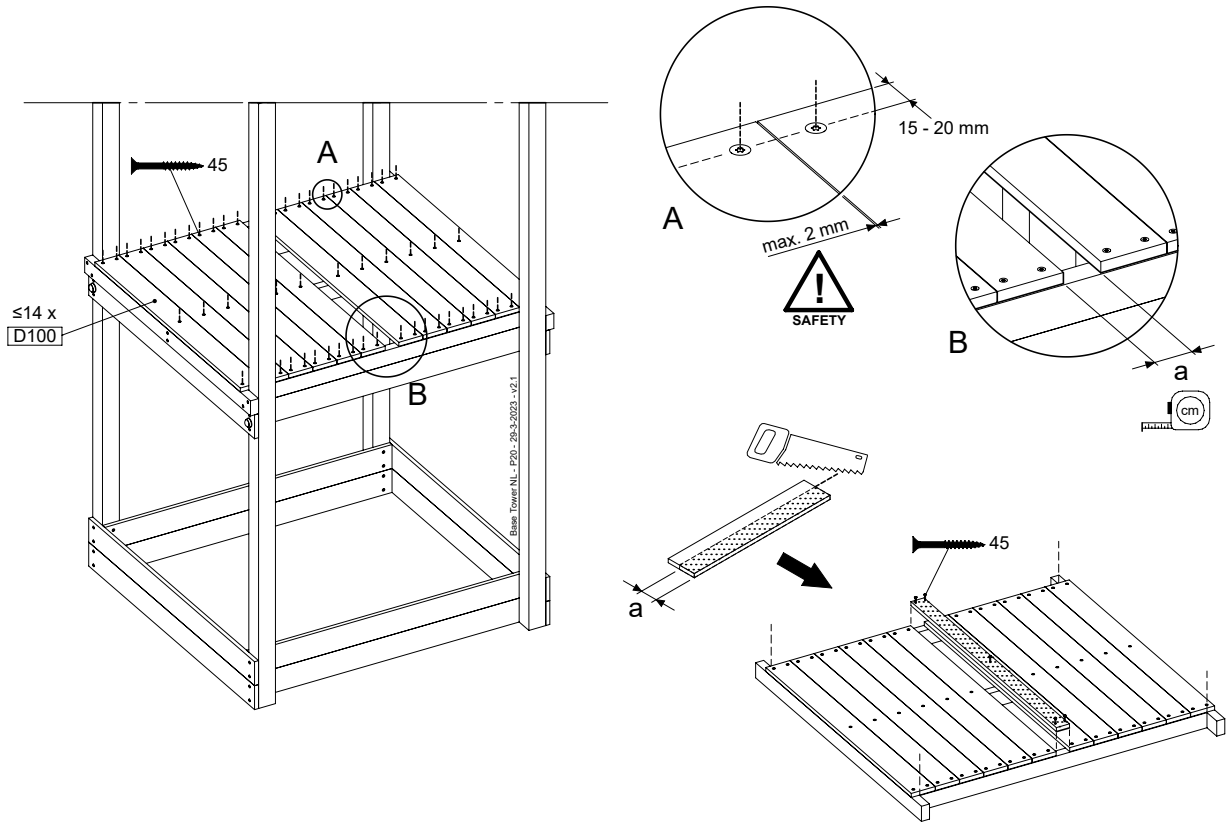
Base Tower NL - P06 - BT11 - 25-3-2023 - v2.1



8.1



8.2

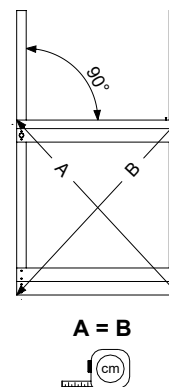
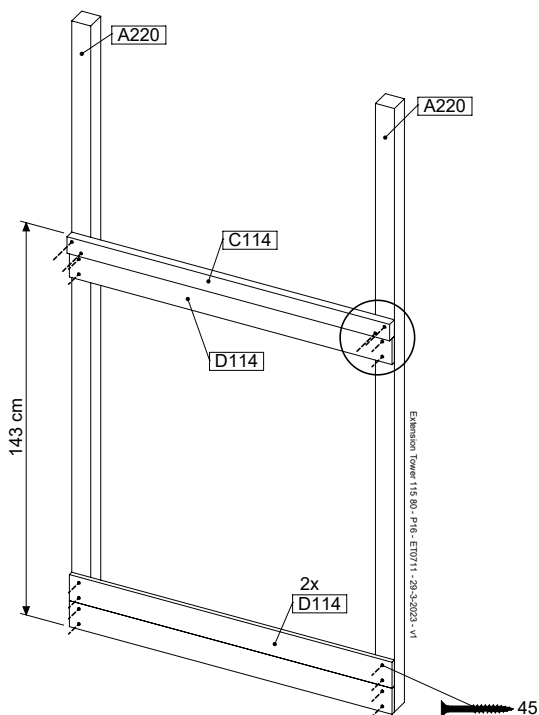
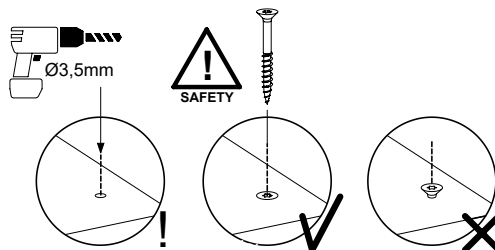
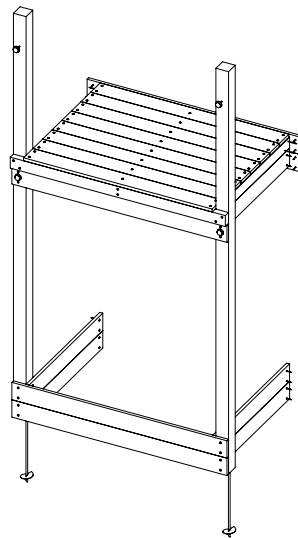


9 ET11: Extension Tower 11580 220/145

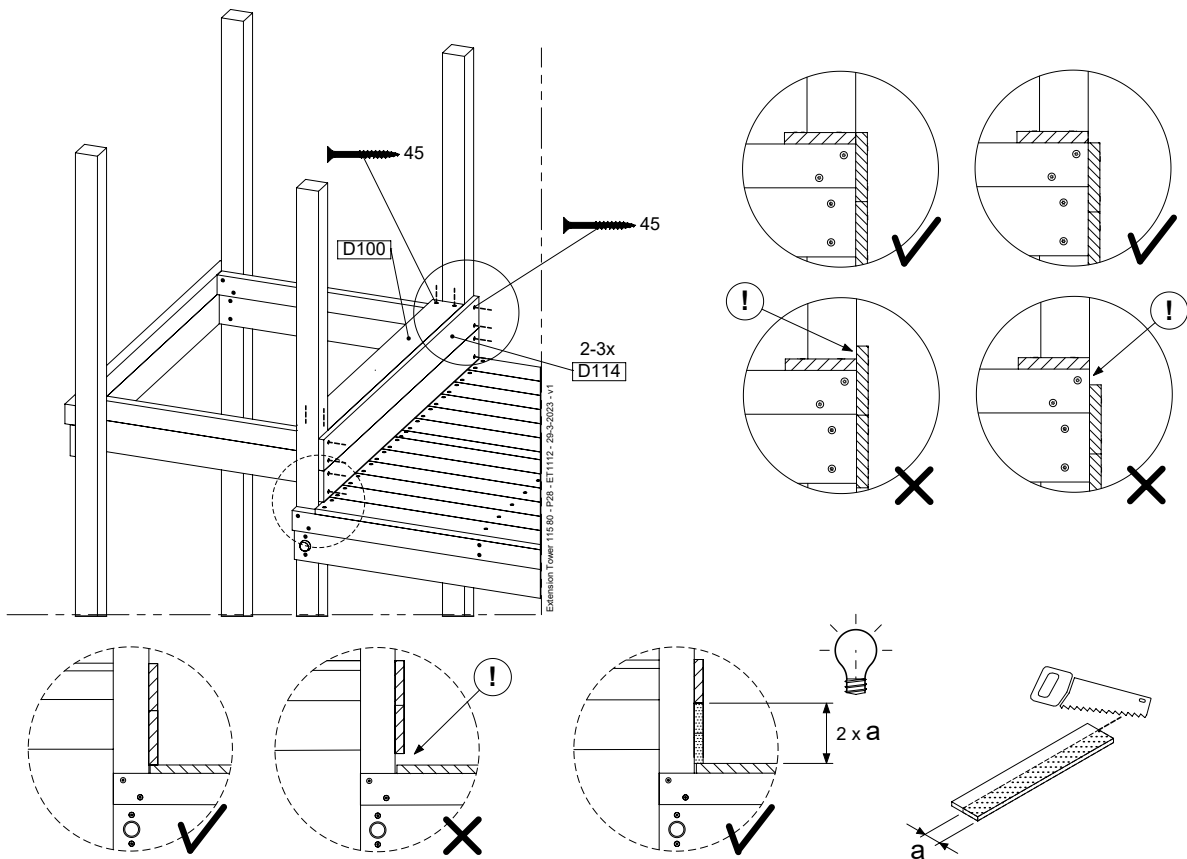
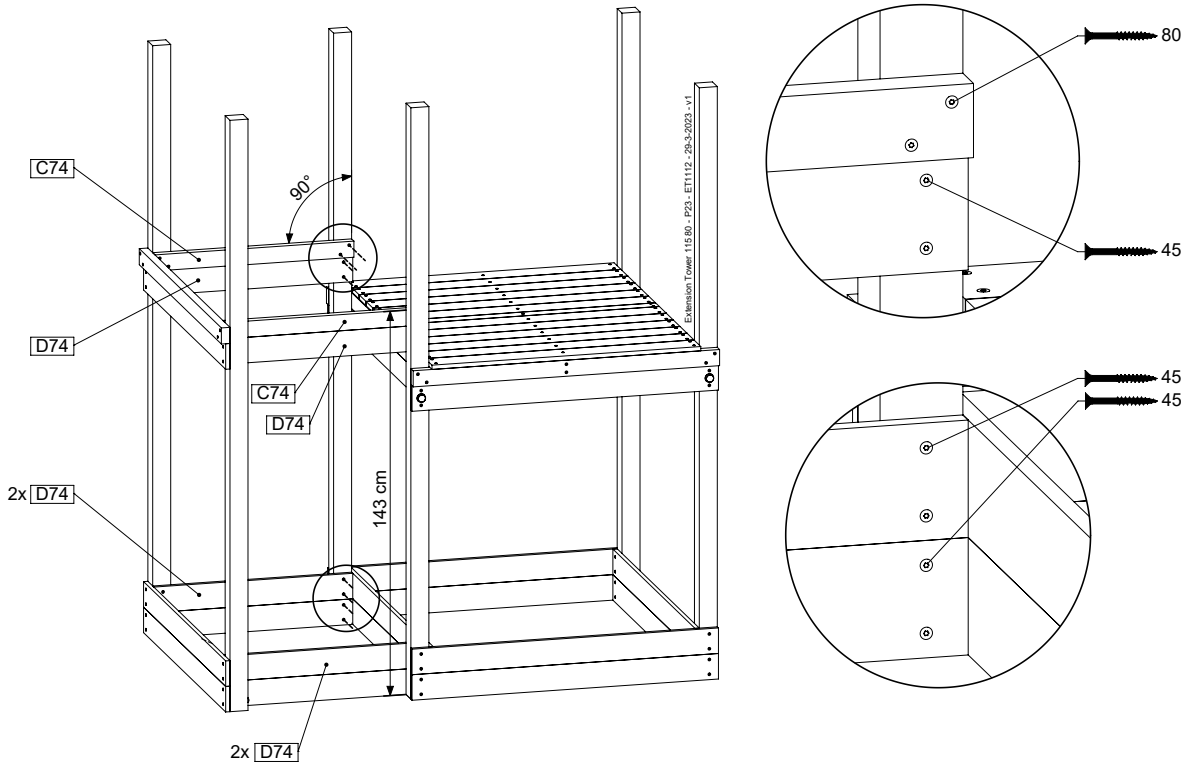
(194_300)

	PartNo	PartName	QTY.
Hardware pack	001_406	Stealth Screw 8x45	4
	001_417	Stealth Screw 8x80	2
	002_220	Gap Point Screw T25 - 5x45	93
	002_223	Gap Point Screw T25 - 5x80	16
Other	007_001	Ground-anchor	2
	022_31x	bpc-base version 3	4
	022_84x	bpc cover	4
Timber	A220	Post 70x70 L2200	2
	C74	Beam 740 mm	3
	C114	Beam 1140 mm	1
	D74	Board 740 mm	6
	D100	Board 1000 mm	9
	D114	Board 1140 mm	6

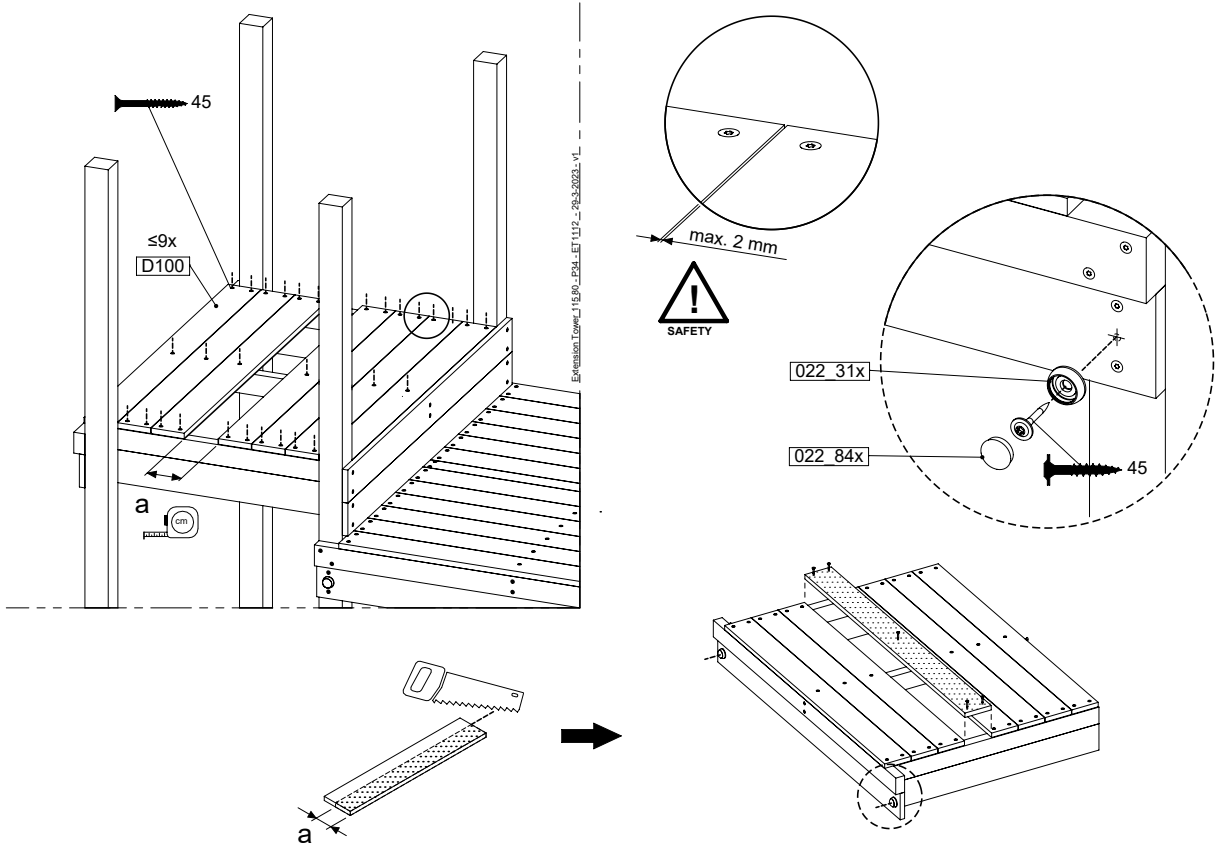
Extension Tower 11580 - P08-ET11 - 29-3-2023 - v1



9.1



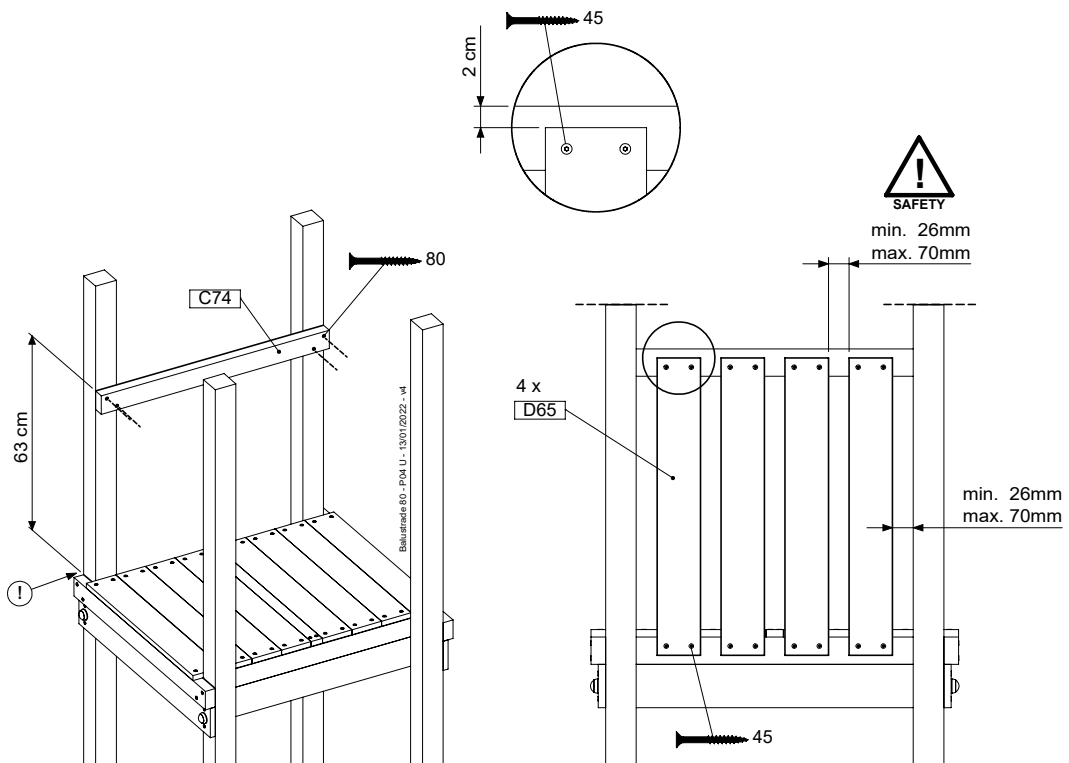
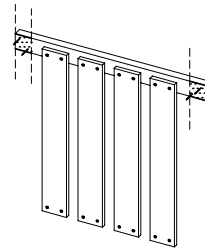
9.2



10 BL01: Balustrade 80 U - 7x7 posts

(194_101)

	PartNo	PartName	QTY.
Hardware Pack 100_601	002_220	Gap Point Screw T25 - 5x45	16
	002_223	Gap Point Screw T25 - 5x80	4
Timber	C74	Beam 740 mm	1
	D65	Board 650 mm	4

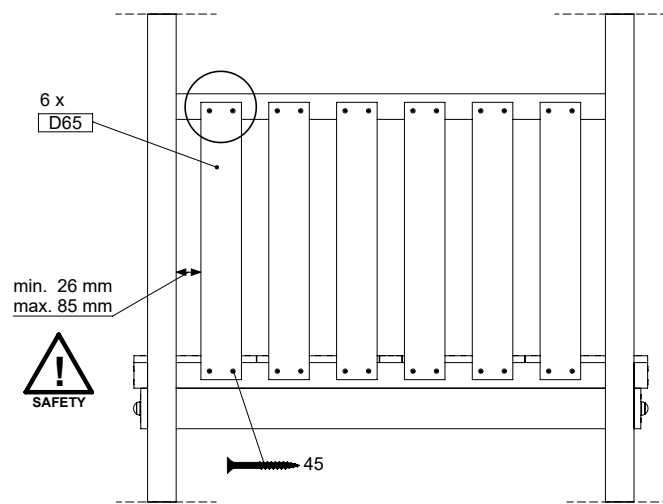
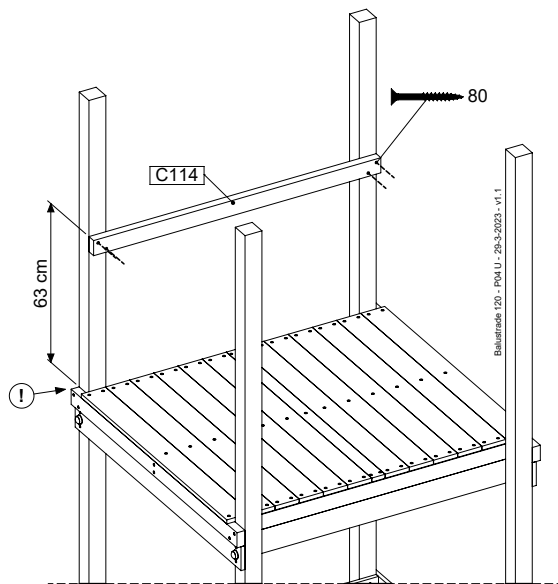
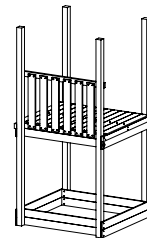
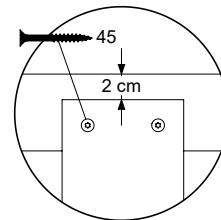
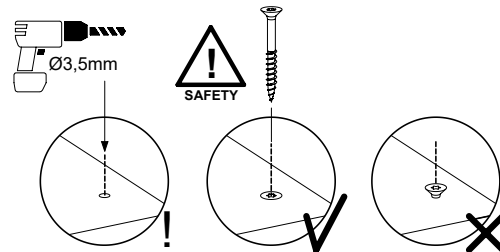
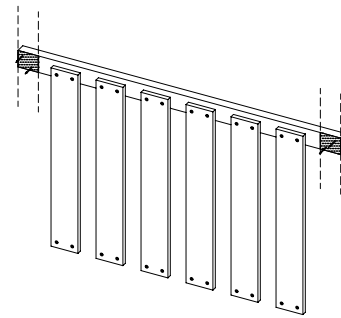


11 BL03: Balustrade 115 U

(194_501)

	PartNo	PartName	QTY.
Hardware Pack	002_220	Gap Point Screw T25 - 5x45	24
	002_223	Gap Point Screw T25 - 5x80	4
Timber	C114	Beam 1140 mm	1
	D65	Board 650 mm	6

Balustrade 120 - POC U - 29-3-2023 - v1.1

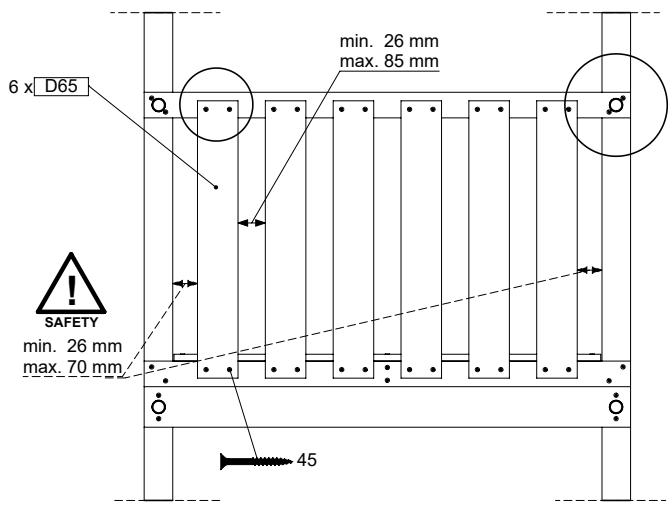
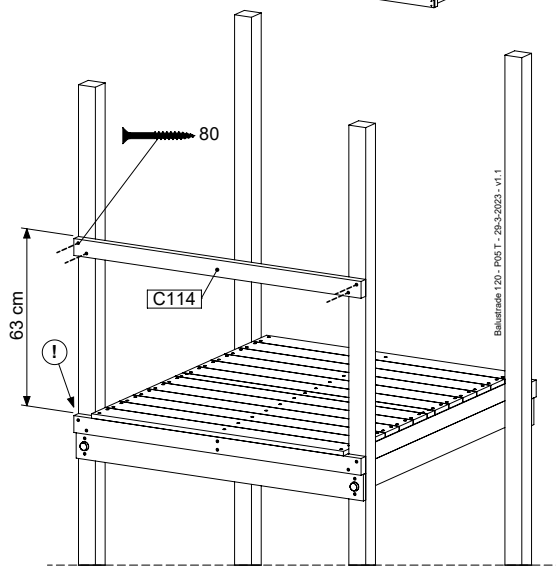
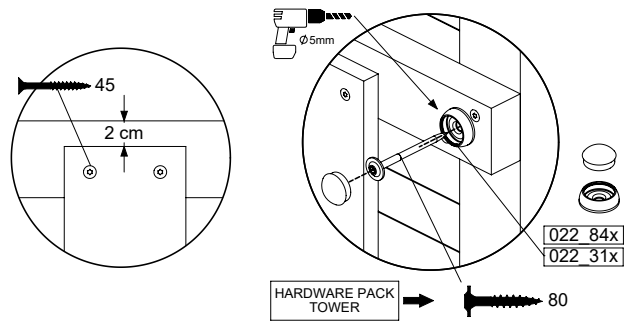
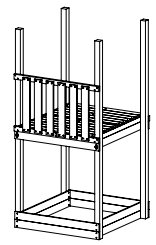
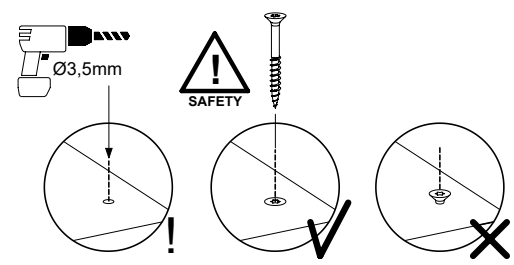
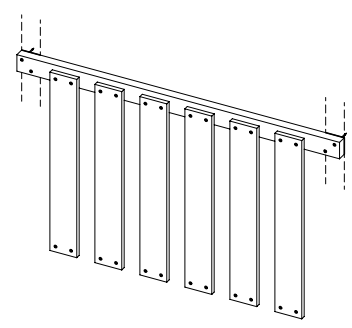


12 BL04: Balustrade 115 T

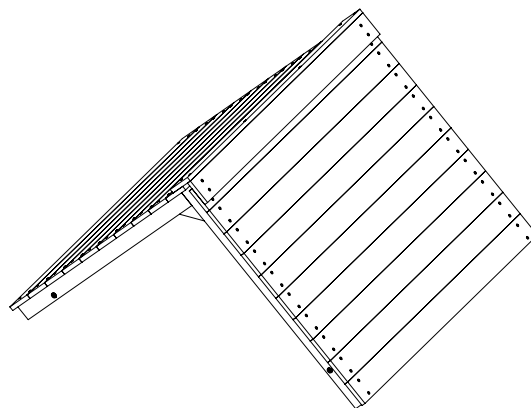
(194_501)

	PartNo	PartName	QTY.
Hardware Pack	002_220	Gap Point Screw T25 - 5x45	24
	002_223	Gap Point Screw T25 - 5x80	4
Timber	C114	Beam 1140 mm	1
	D65	Board 650 mm	6

Balustrade 120 - P03 T - 29-3-2023 - v1.1



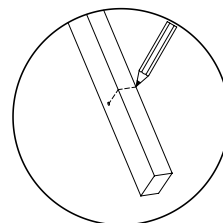
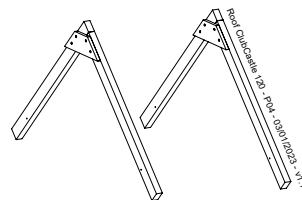
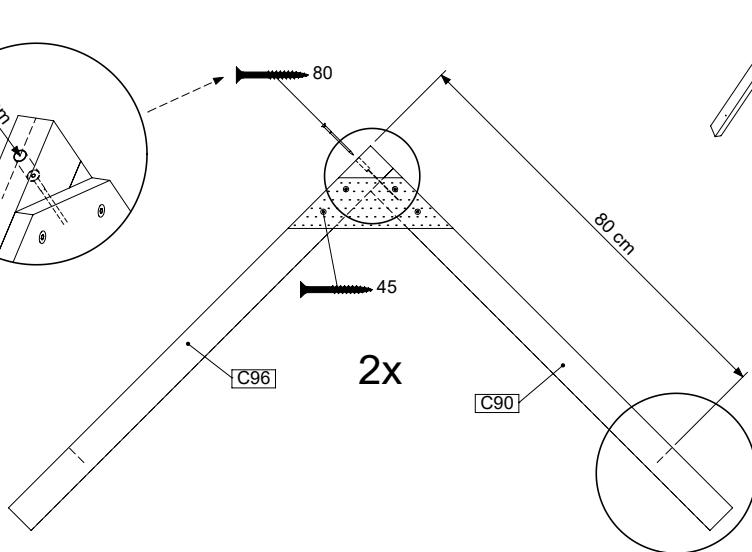
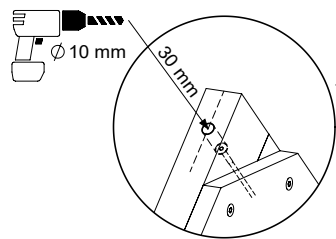
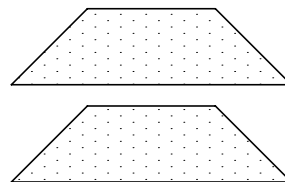
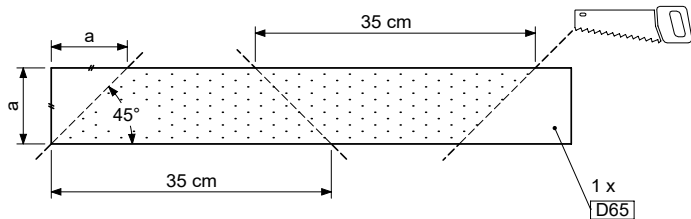
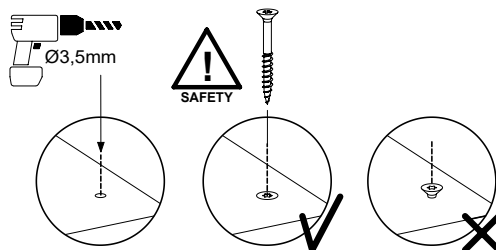
13 RF08: Roof Timber Gable 115



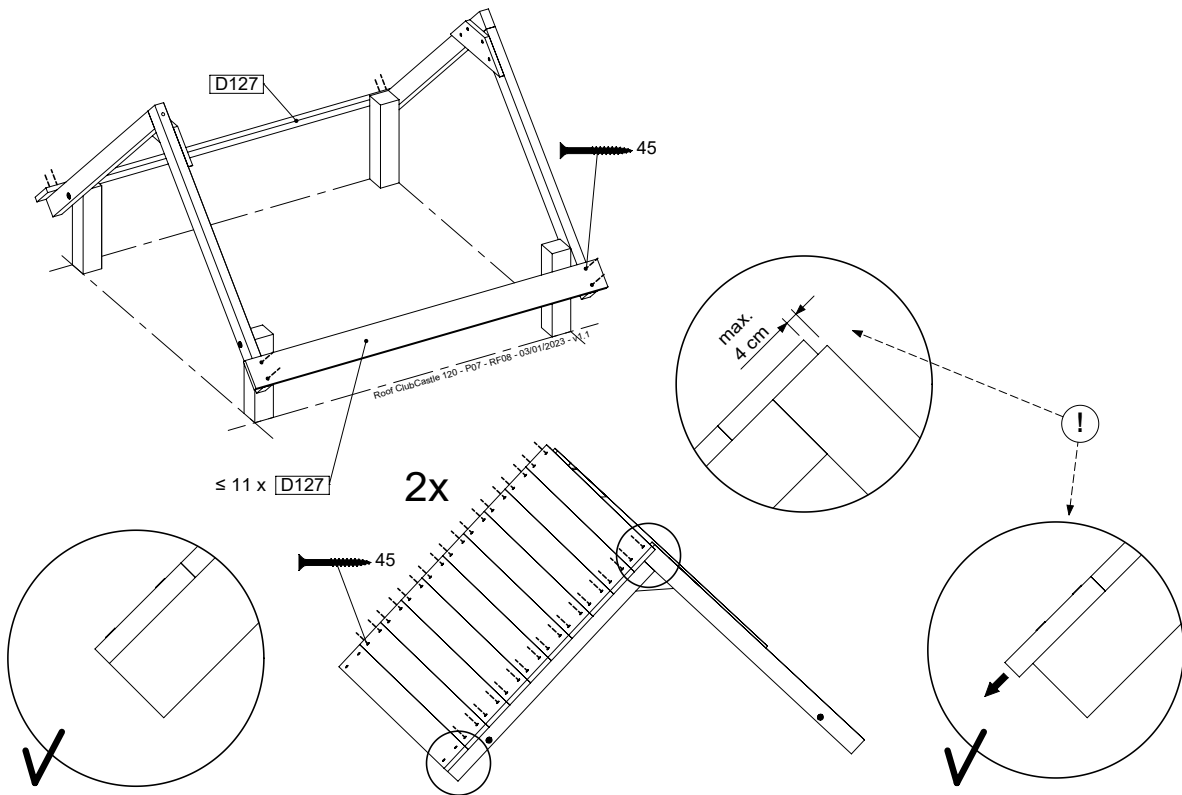
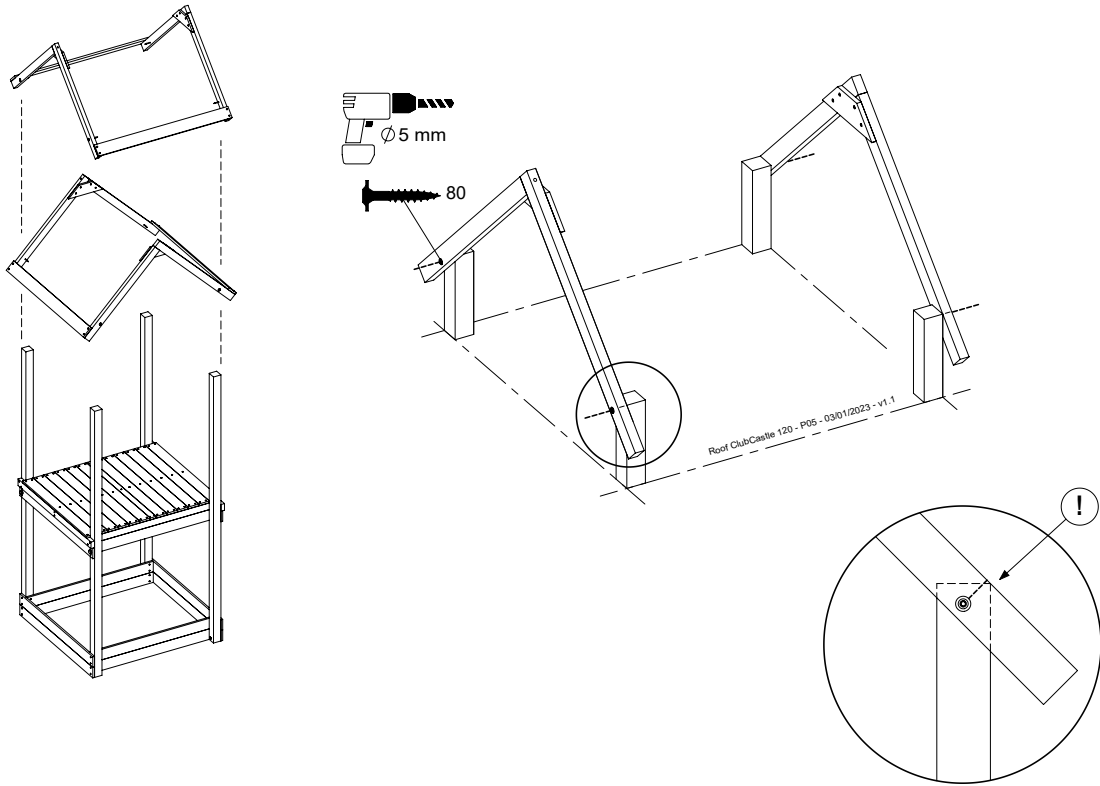
AP 194_308 / RF

	PartNo	PartName	QTY.
Hardware Pack	001_417	Stealth Screw 8x80	4
	002_220	Gap Point Screw T25 - 5x45	100
	002_223	Gap Point Screw T25 - 5x80	8
Timber	C96	Beam 960 mm	2
	D65	Board 650 mm	1
	D127	Board 1270 mm	18-24
	C90	Beam 900 mm	2

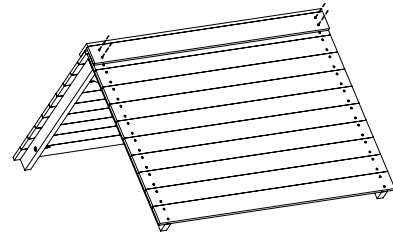
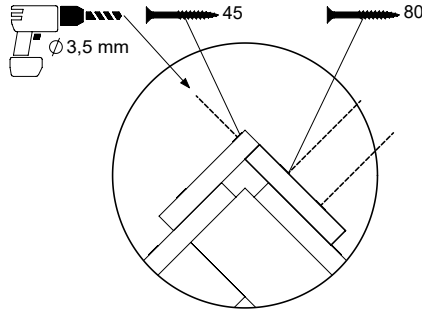
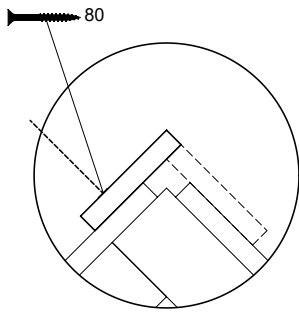
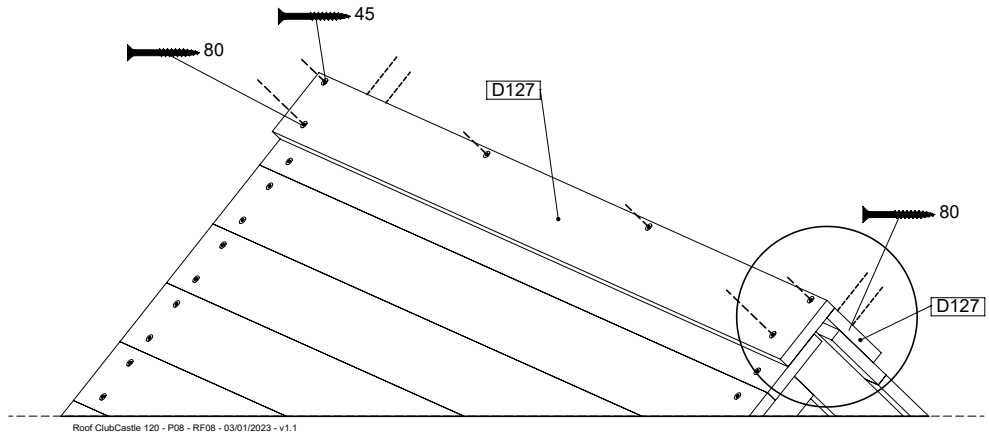
Roof ChaCastle 120 - P03 - RF08 - 03/01/2023 - v1.1



13.1



13.2

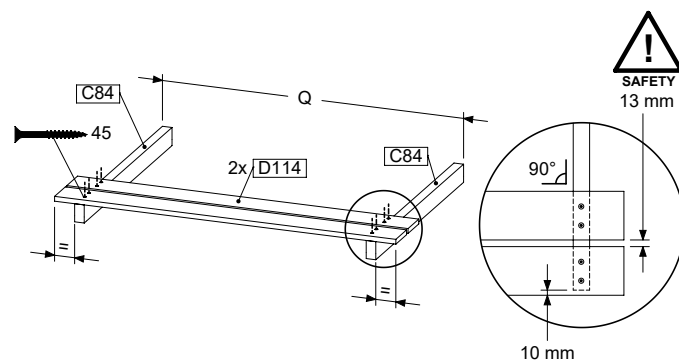
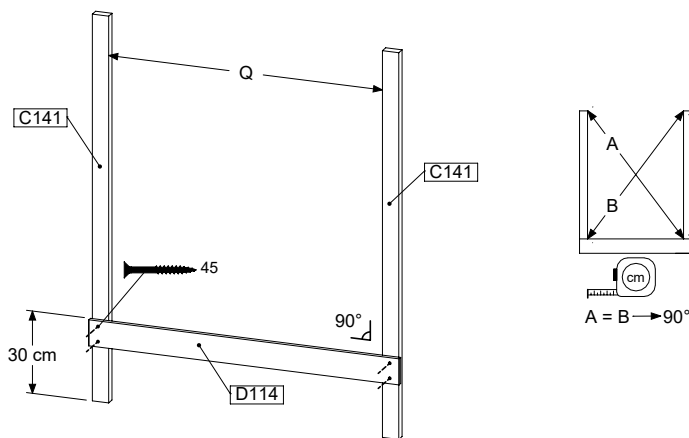
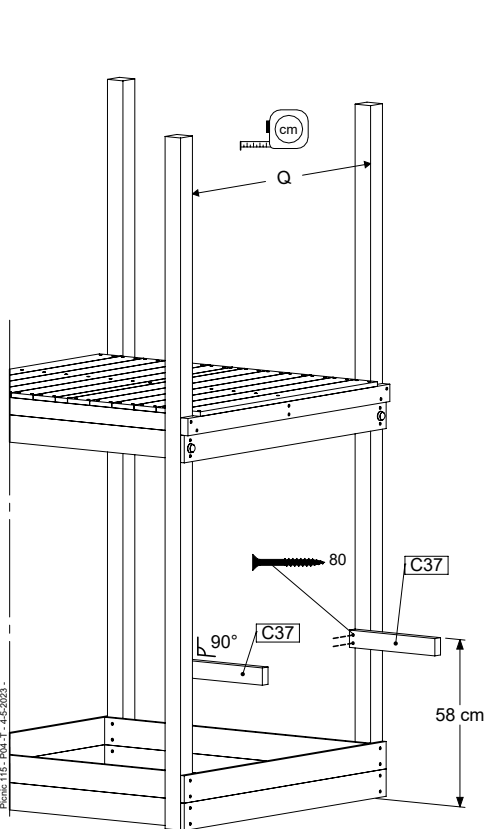
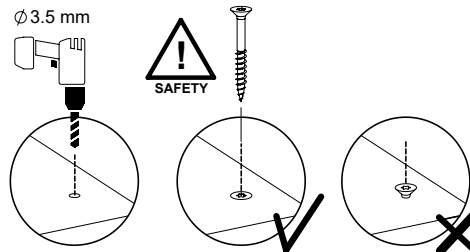
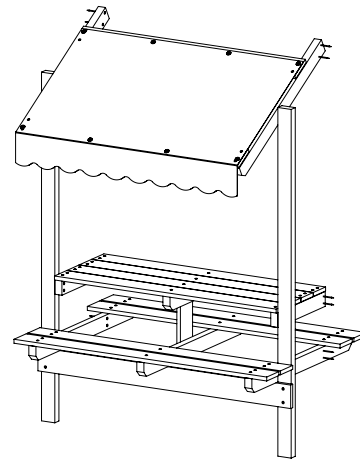


14 PC06: Picnic 115 T

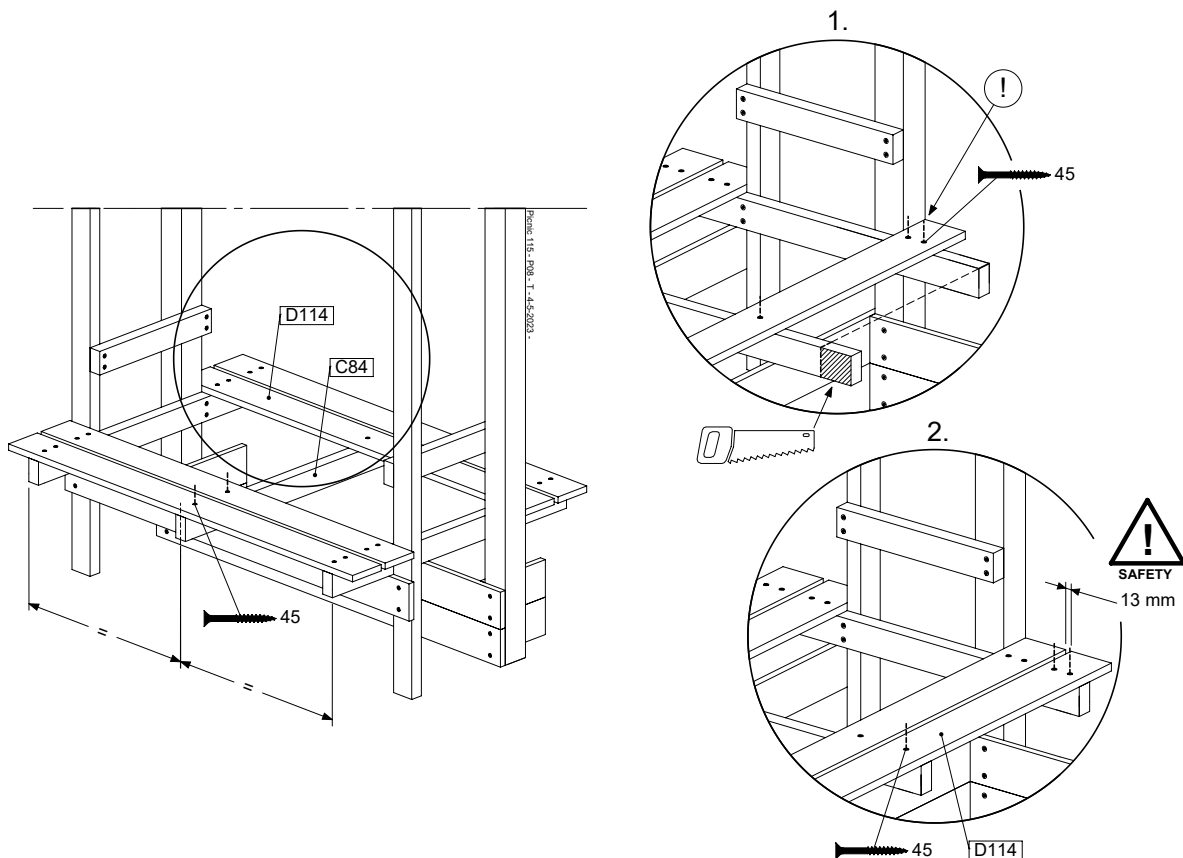
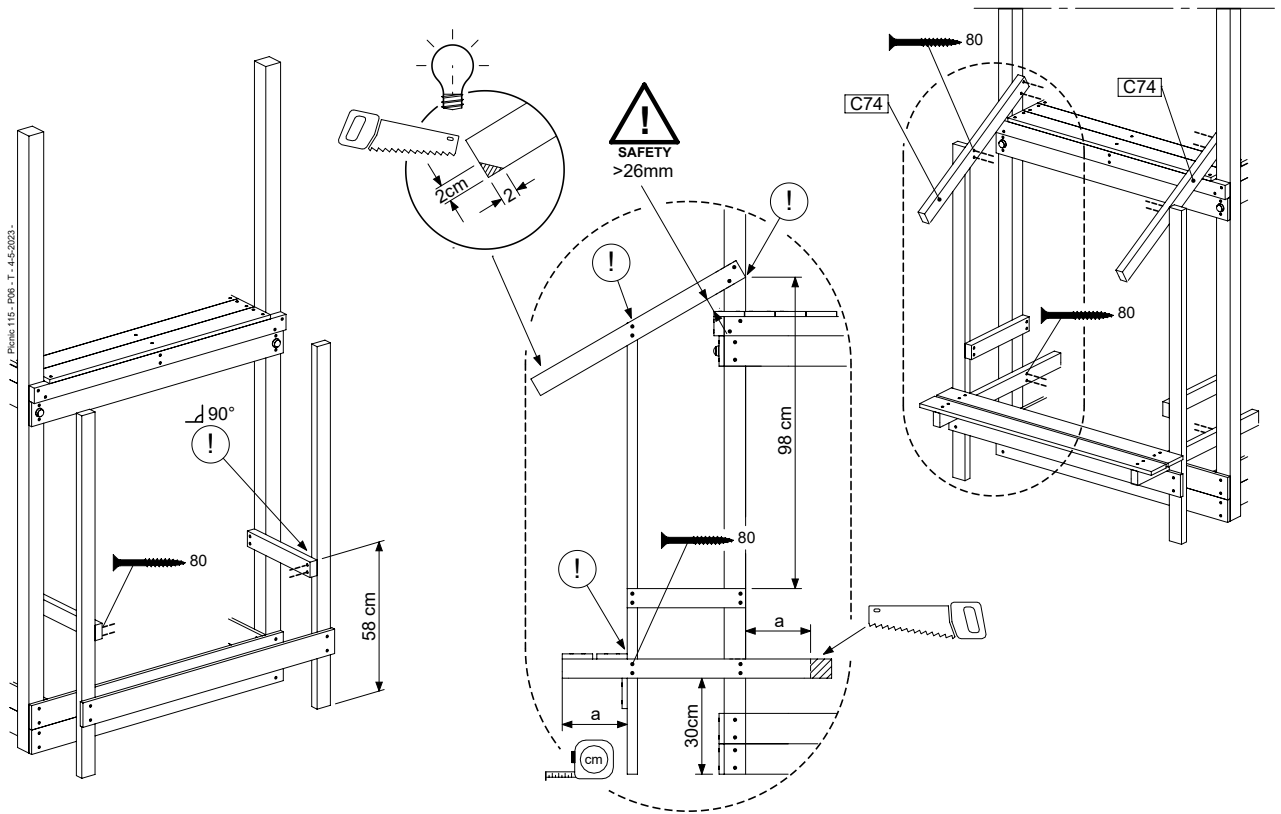
(194_810)

	PartNo	PartName	QTY.
Hardware Pack	002_220	Gap Point Screw T25 - 5x45	56
	002_223	Gap Point Screw T25 - 5x80	24
	002_308	Gap Point Screw T25 - 5x20	8
	023_031	Finishing Washer GPS 5.0	8
Other	123_220	Canvas sheet 735x1365mm	1
Timber	C37	Beam 370 mm	3
	C74	Beam 740 mm	2
	C84	Beam 840 mm	3
	C141	Beam 1410 mm	2
	D47	Board 470 mm	1
	D100	Board 1000 mm	6
	D114	Board 1140 mm	5

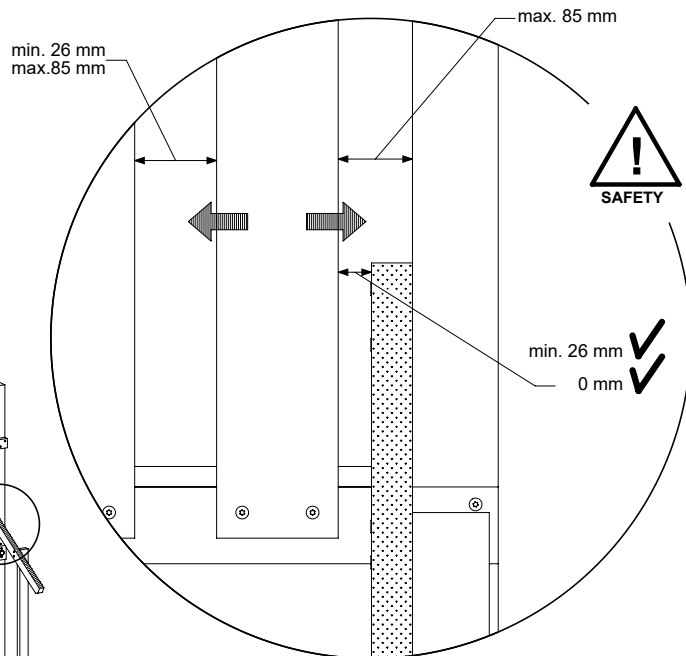
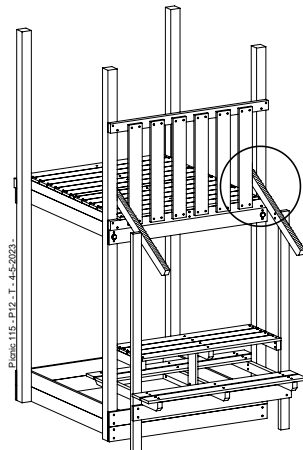
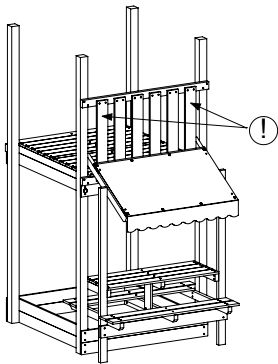
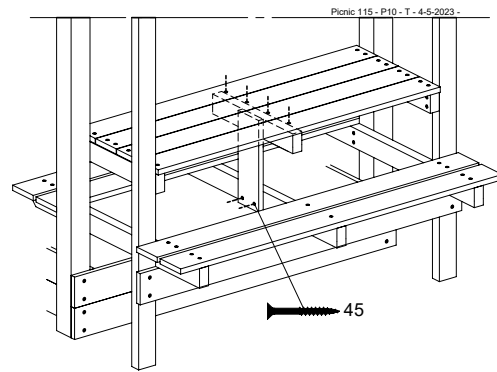
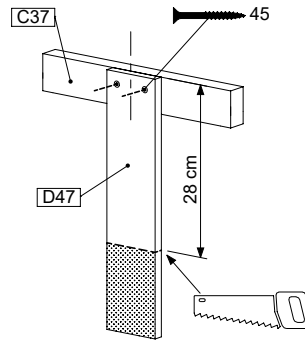
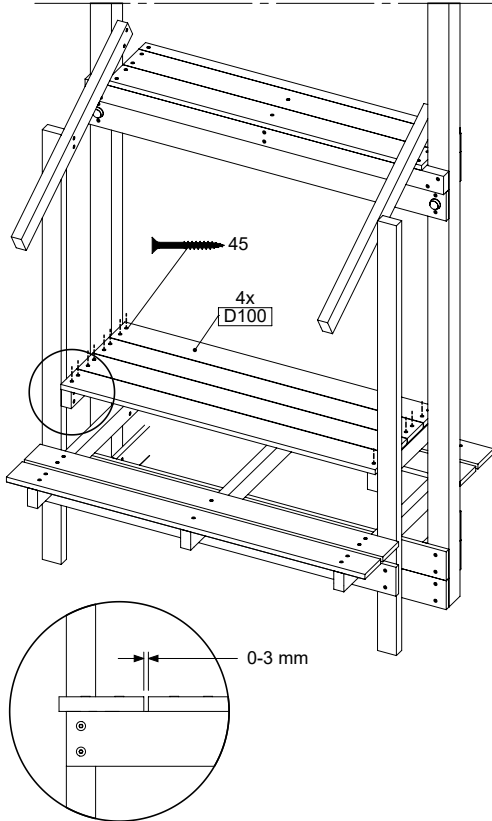
Picnic 115 - P02 - LUT - 4-5-2023



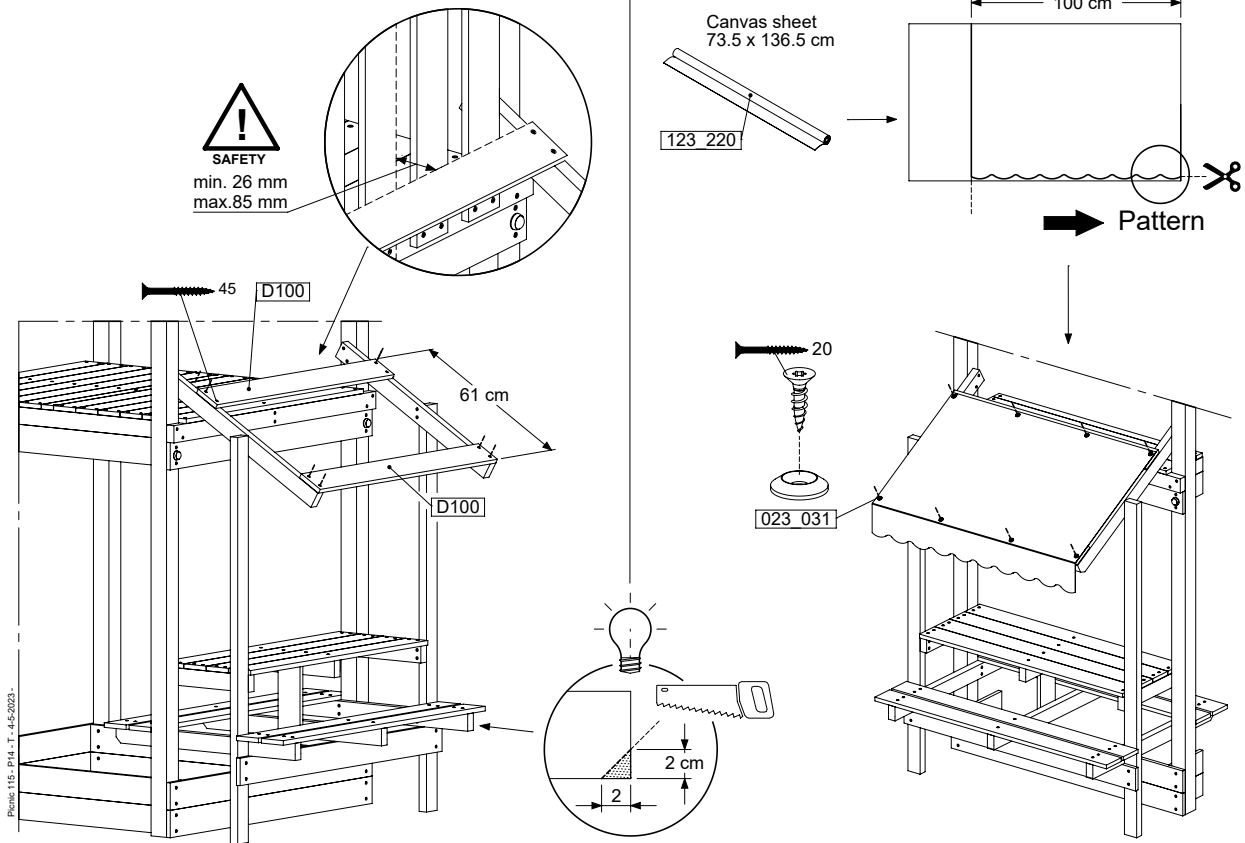
14.1



14.2

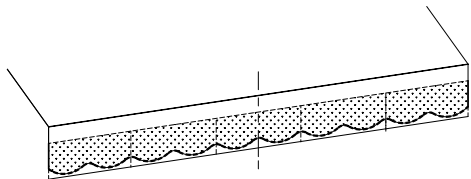


14.3

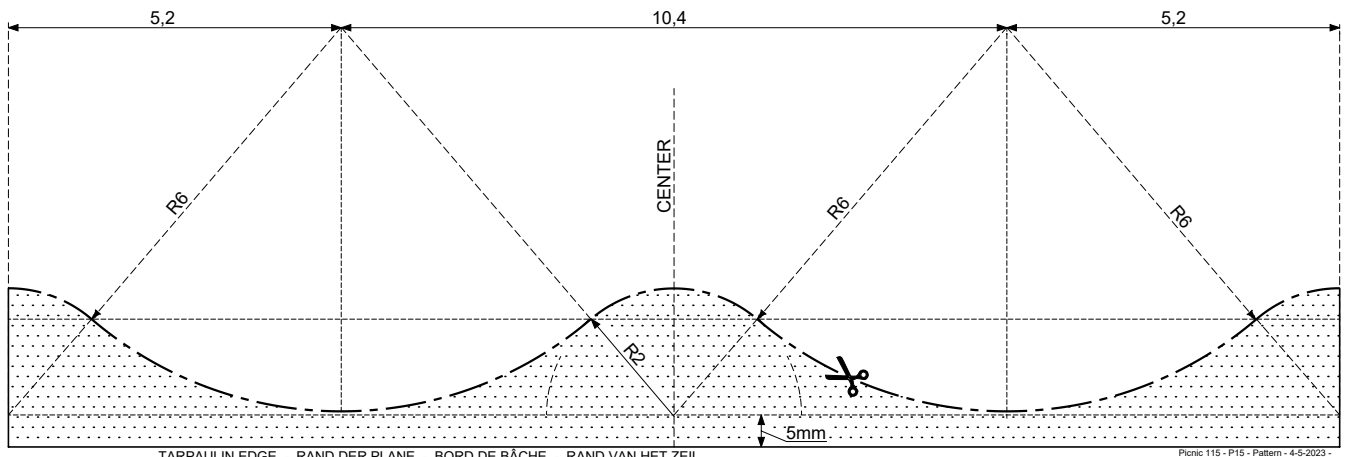


Picnic 115 - P14 - TT - 4-5-2023 -

Picnic 115 - P15 - Pattern - 4-5-2023 -



EXAMPLE PATTERN
 BEISPIELVORLAGE FÜR MARKISE
 SCHEMA SUGGÉRÉ DE DÉCOUPE POUR AUVENT
 VOORBEELDSJABLOON LUIFEL



← repeat

repeat →

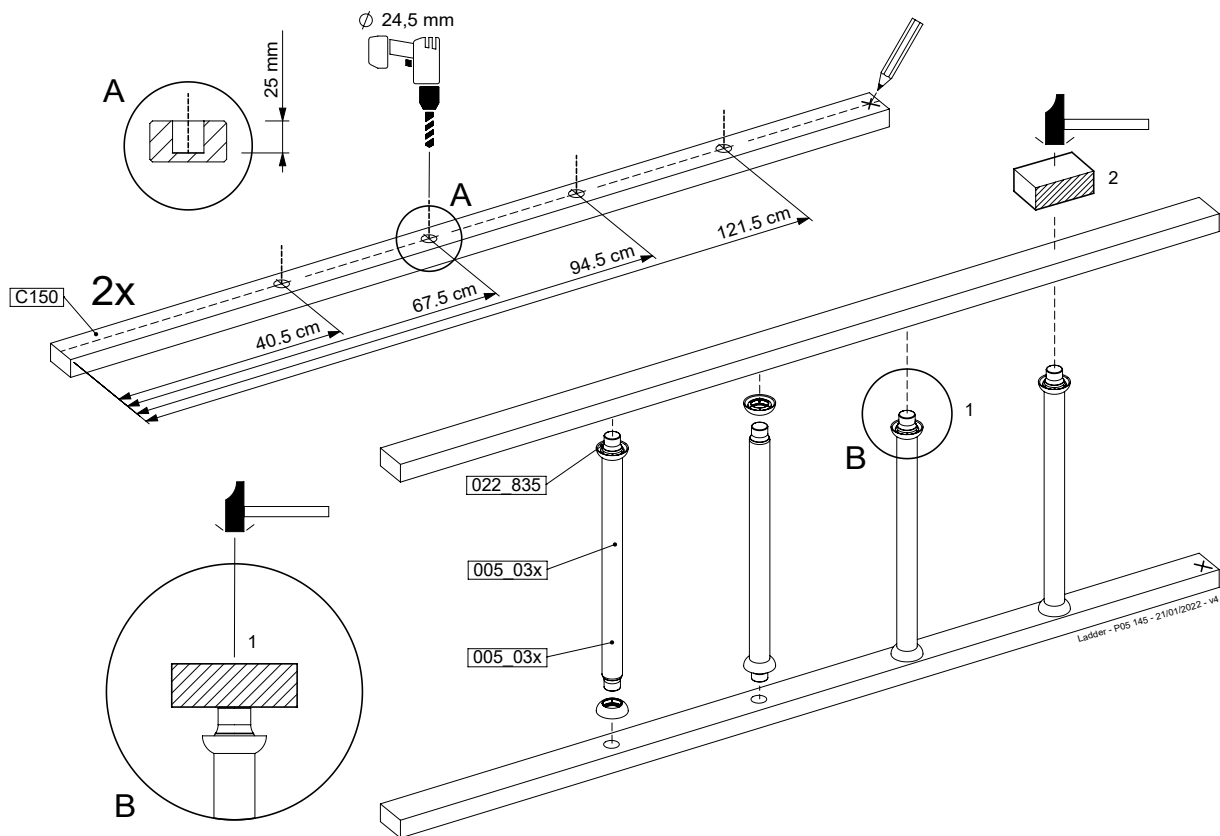
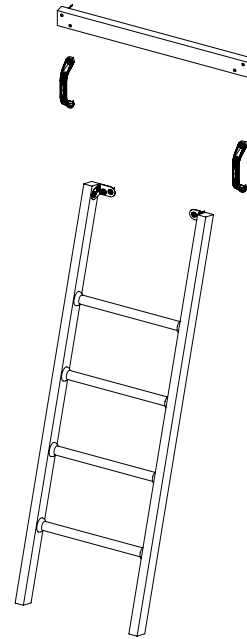
! Scale of print may not be accurate.
 Druckformat kann abweichen.
 Les tailles imprimées peuvent varier.
 Printformaat kan afwijken.

15 LA03: Ladder 80 145 U

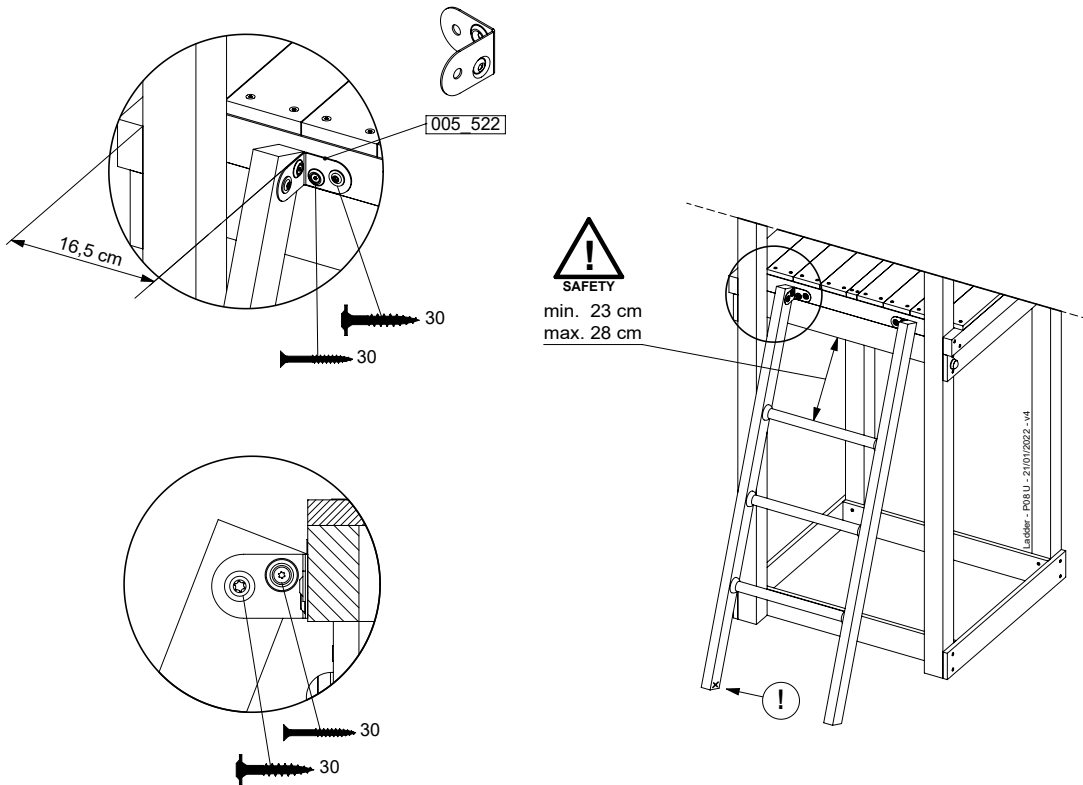
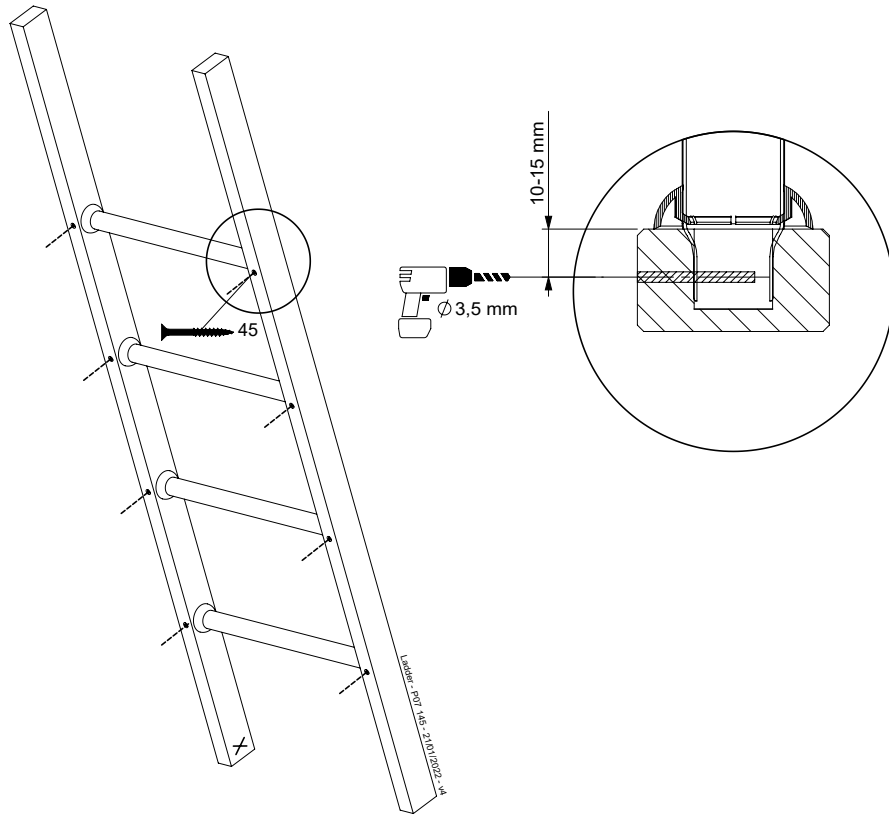
(194_104)

	PartNo	PartName	QTY.
Hardware Pack 100_603	001_404	Stealth Screw 8x30	4
	002_219	Gap Point Screw T25 - 5x30	4
	002_220	Gap Point Screw T25 - 5x45	8
	002_223	Gap Point Screw T25 - 5x80	4
Other	005_03x	Ladder Rung Y/B/G/R	4
	005_522	Connection Bracket Mini Market	2
	022_835	Rung Cap	8
	120_102	Handgrip set (2x Complete)	1
Timber	C74	Beam 740 mm	1
	C150	Beam 1500 mm	2

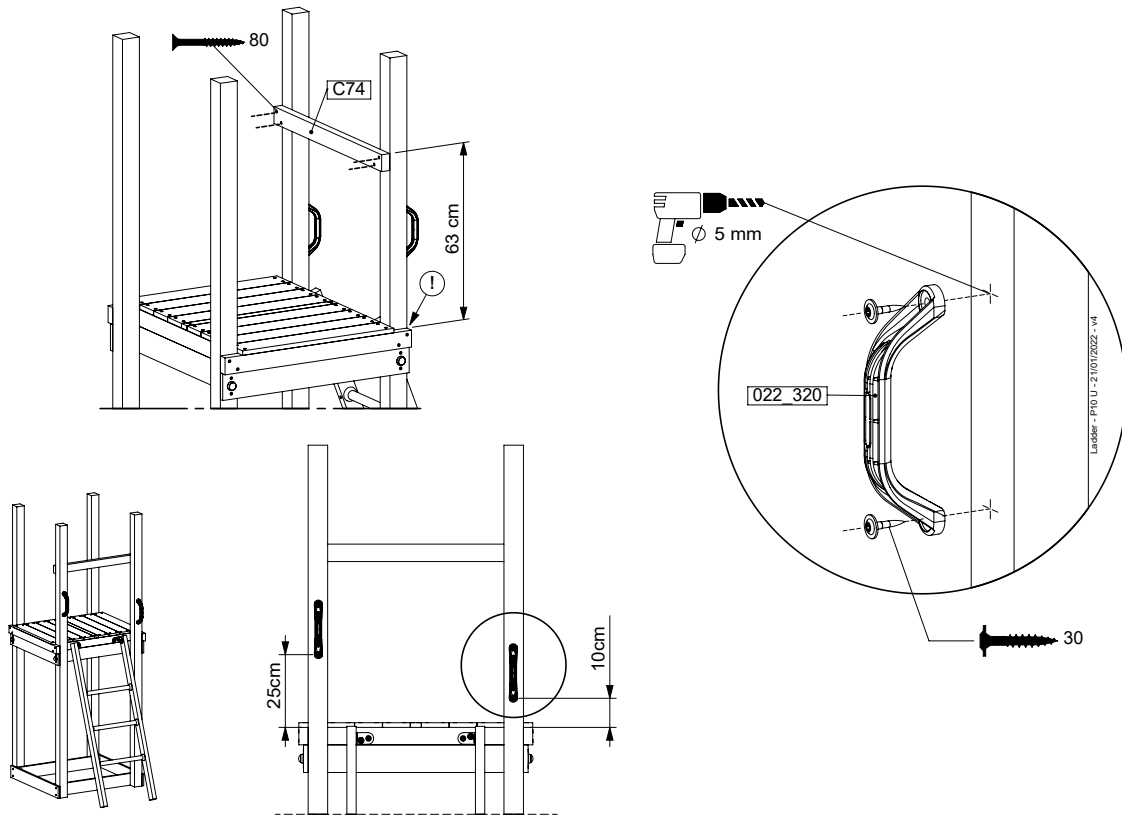
Ladder - P05 145 - 21/01/2022 - v4



15.1



15.2



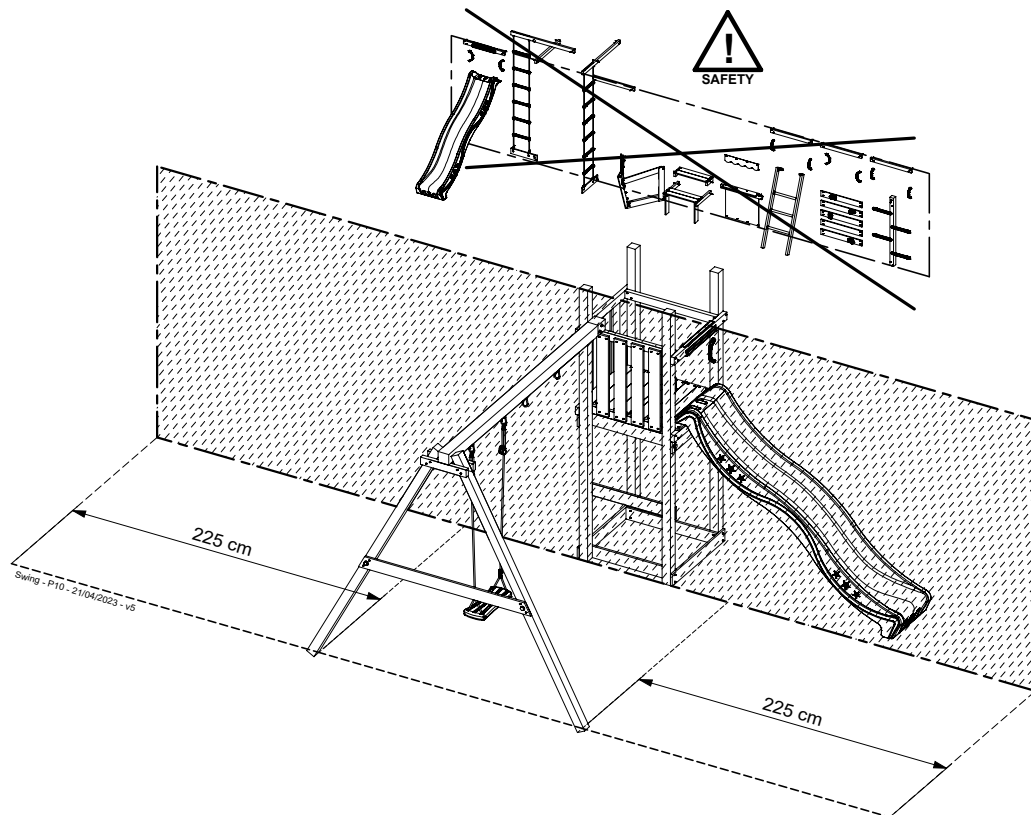
16 SW13: 2-Swing Module 220

(457_102)

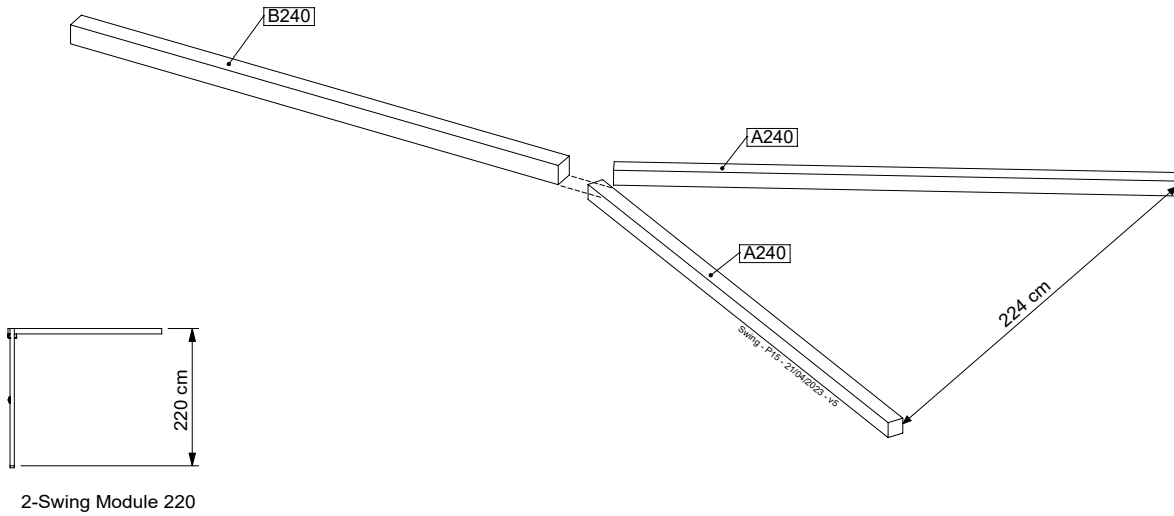
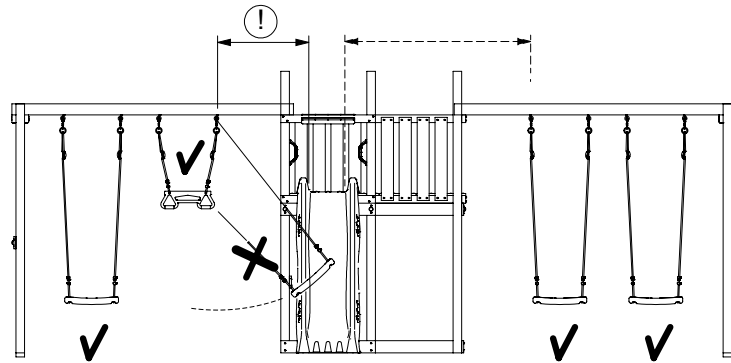
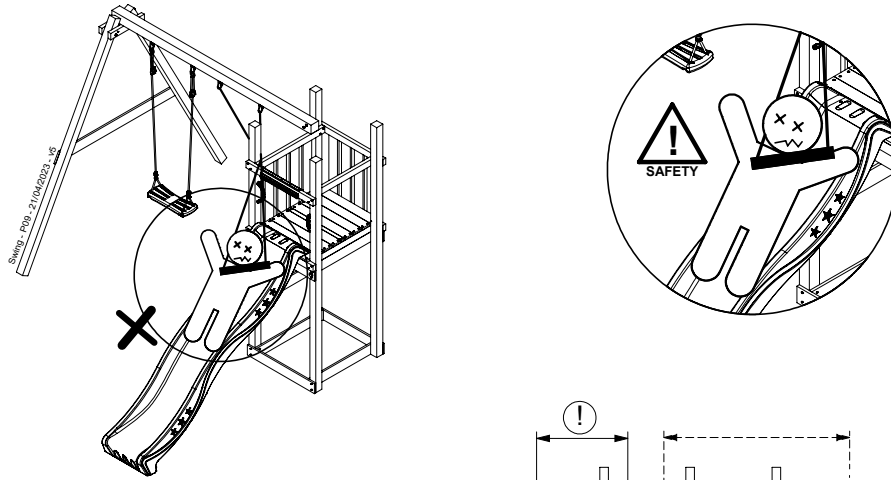
	PartNo	PartName	QTY.
Hardware Pack	001_406	Stealth Screw 8x45	4
	001_417	Stealth Screw 8x80	3 / 4
	001_422	Stealth Screw 8x137	3
	002_220	Gap Point Screw T25 - 5x45	12
	002_223	Gap Point Screw T25 - 5x80	6
Other	005_528	Swing Beam Bracket 7x7	1
	007_001	Ground-anchor	2
	022_31x	bpc-base version 3	2
	022_84x	bpc cover	2
	023_031	Finishing Washer GPS 5.0	2
Timber	101_003	Swing hook with Carabiner	4
	A220	Post 70x70 L2200	2
	B220	Post 90x90 L2200	1
	C37	Beam 370 mm	2
	D141	Board 1410 mm	2

Swing - P10 - 2104/2023 - v5

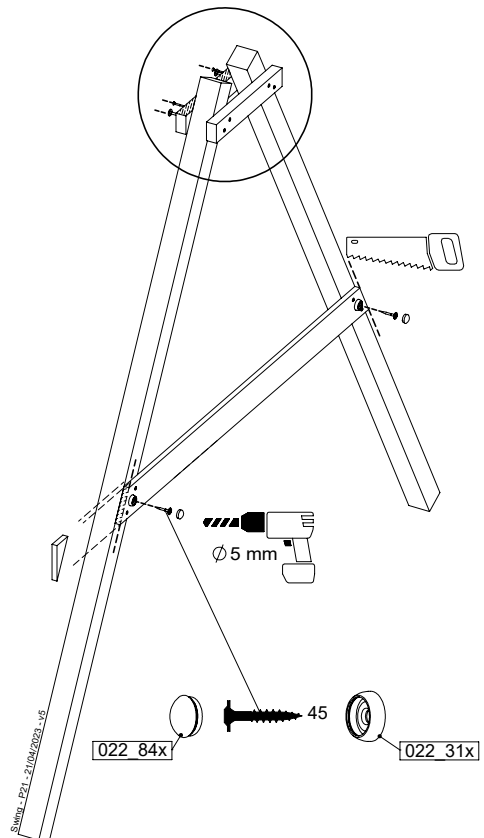
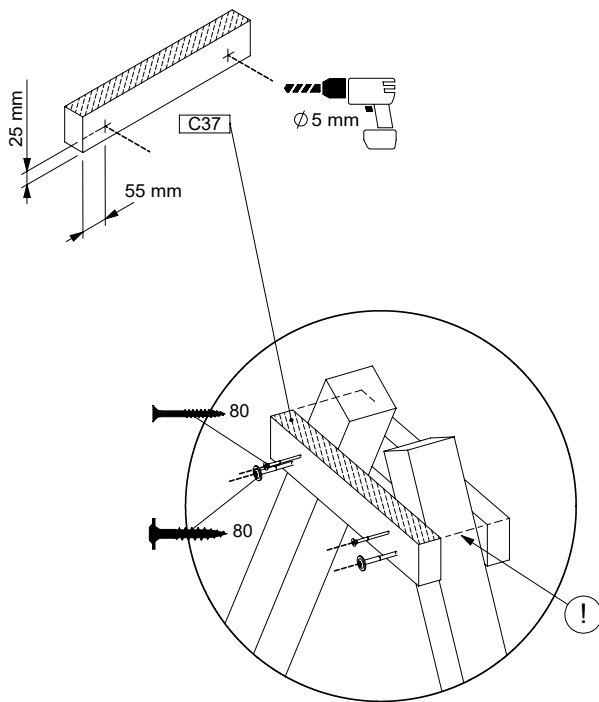
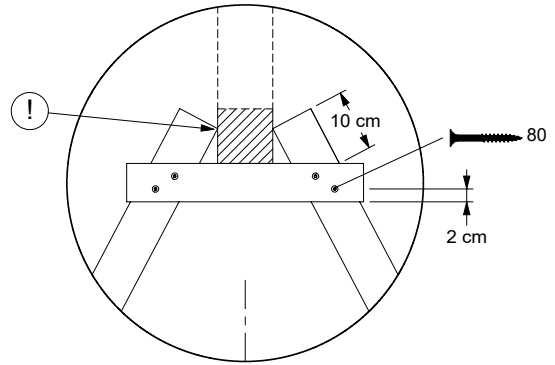
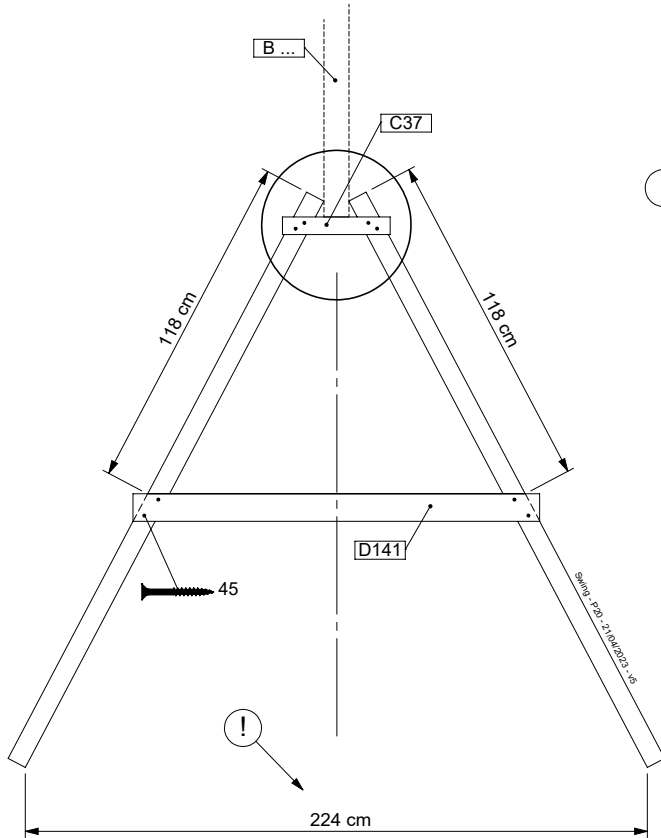
2-Swing Module 220



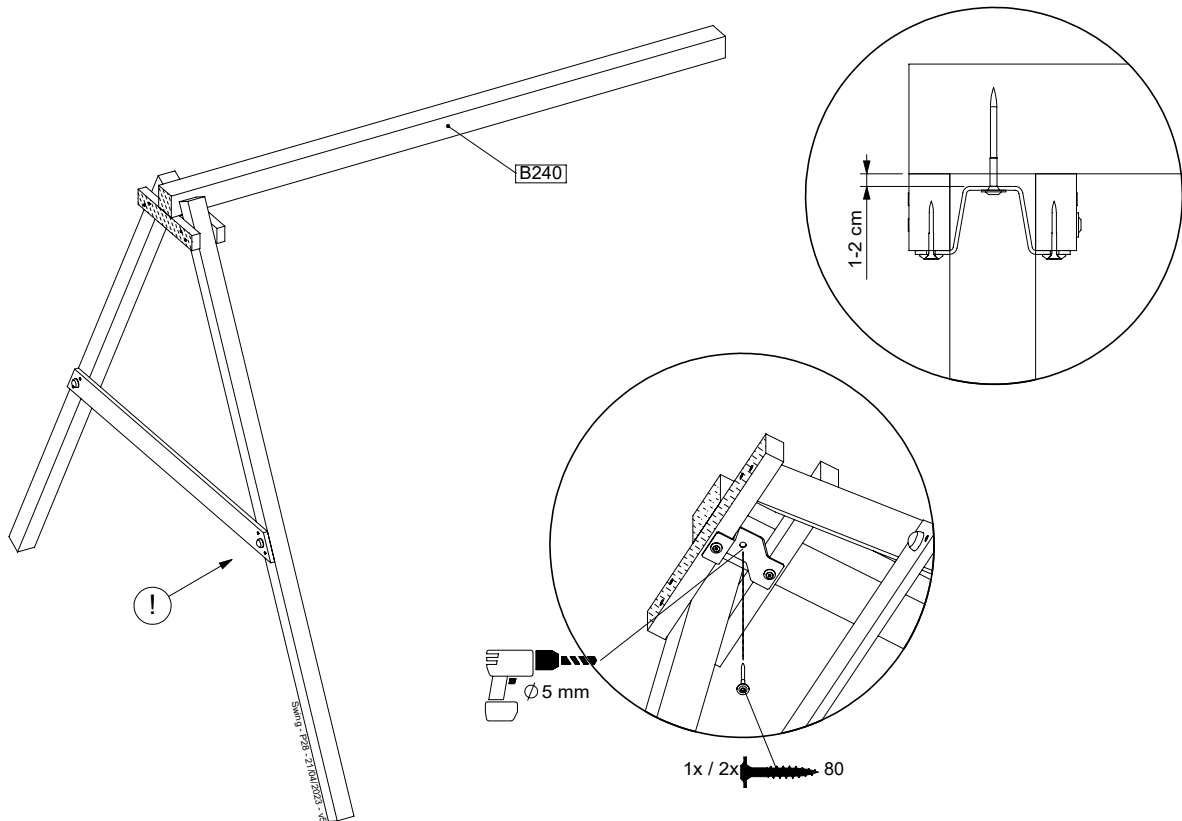
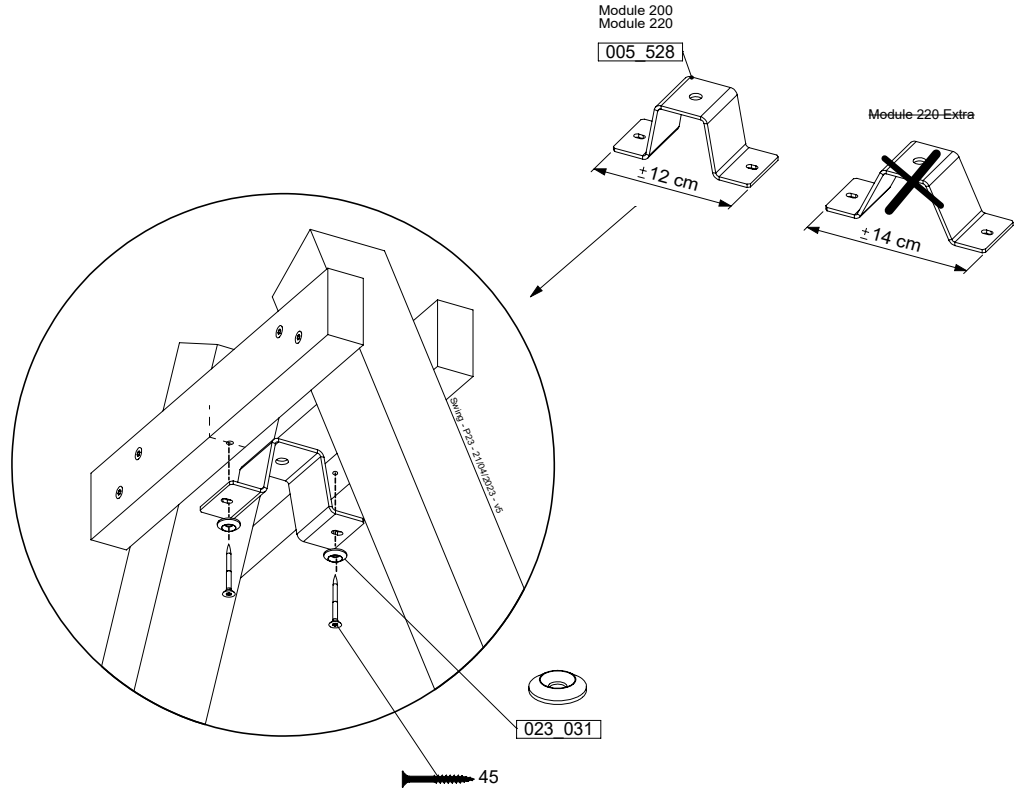
16.1



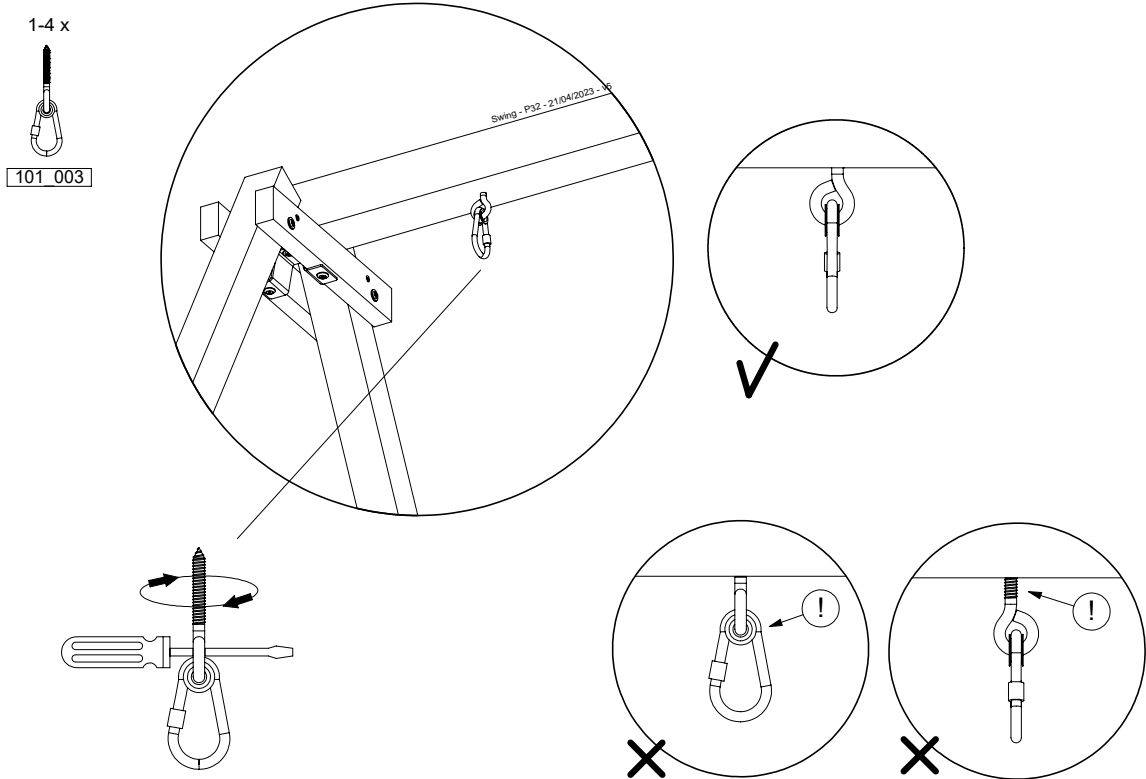
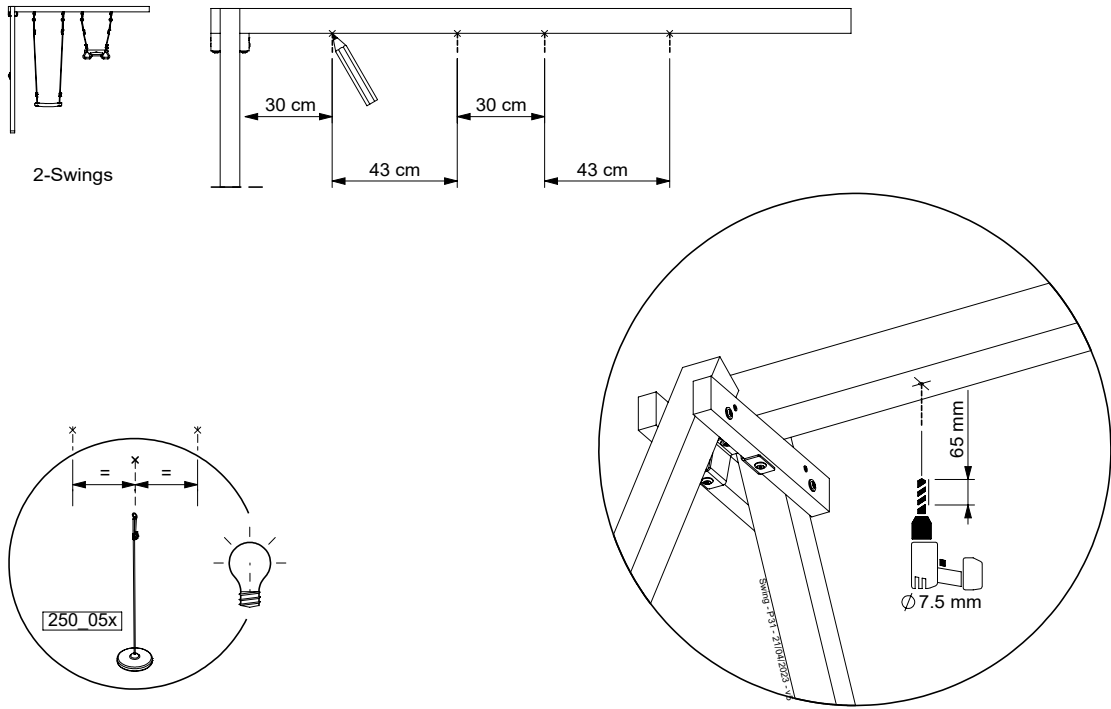
16.2



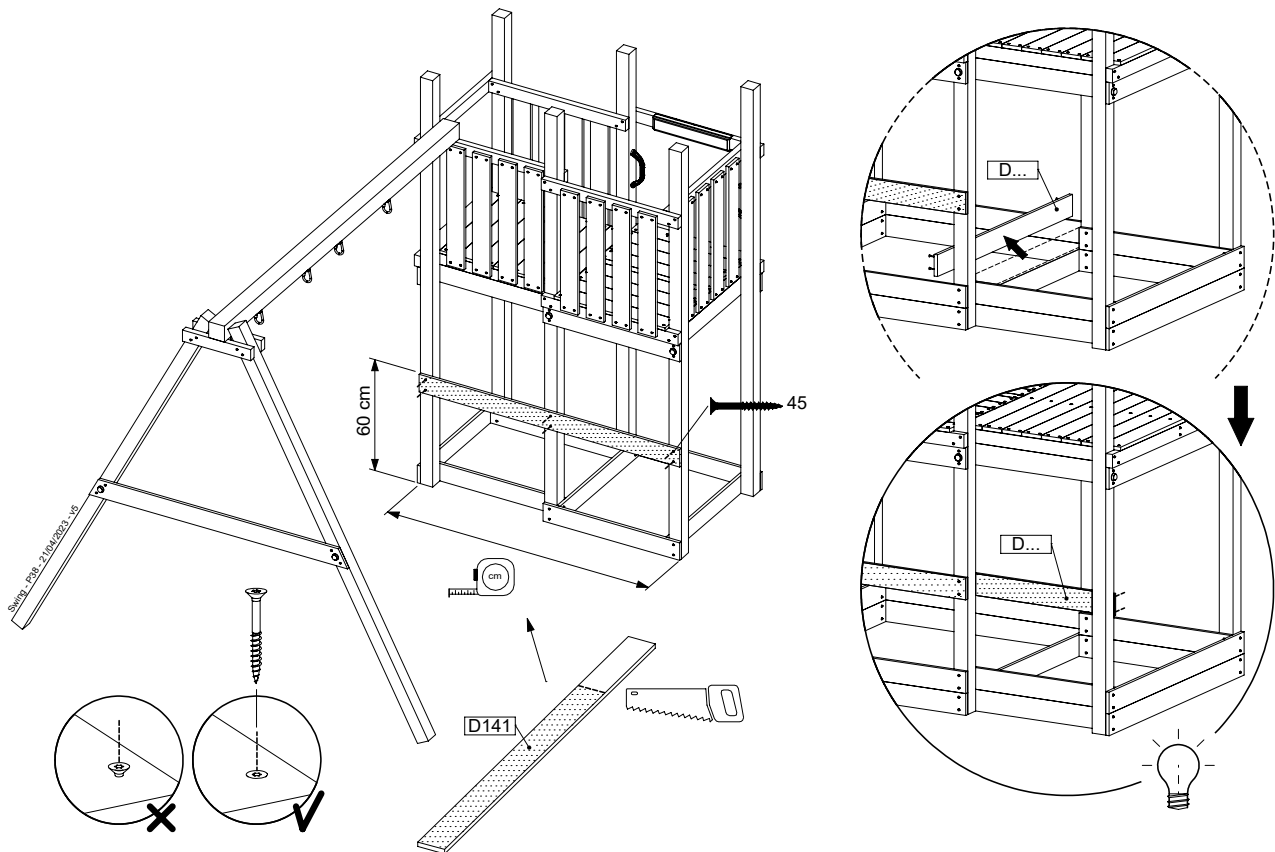
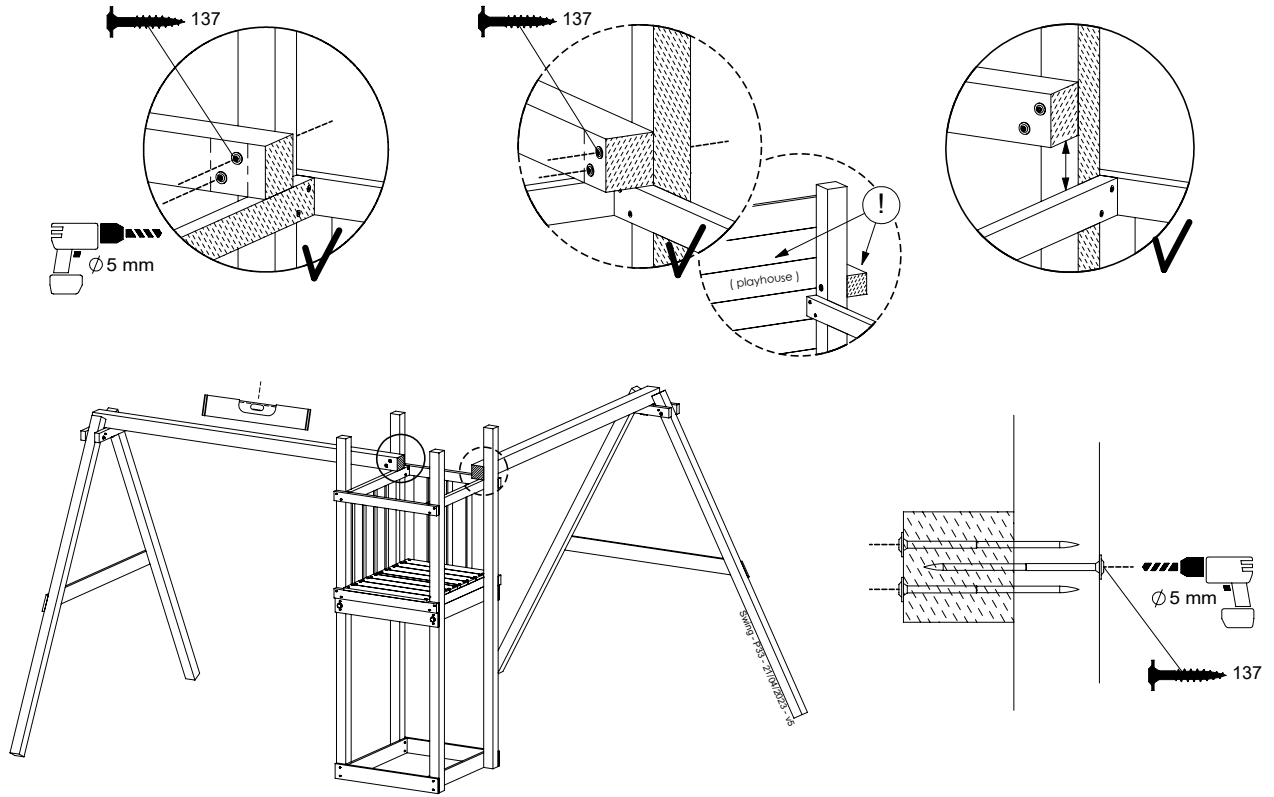
16.3



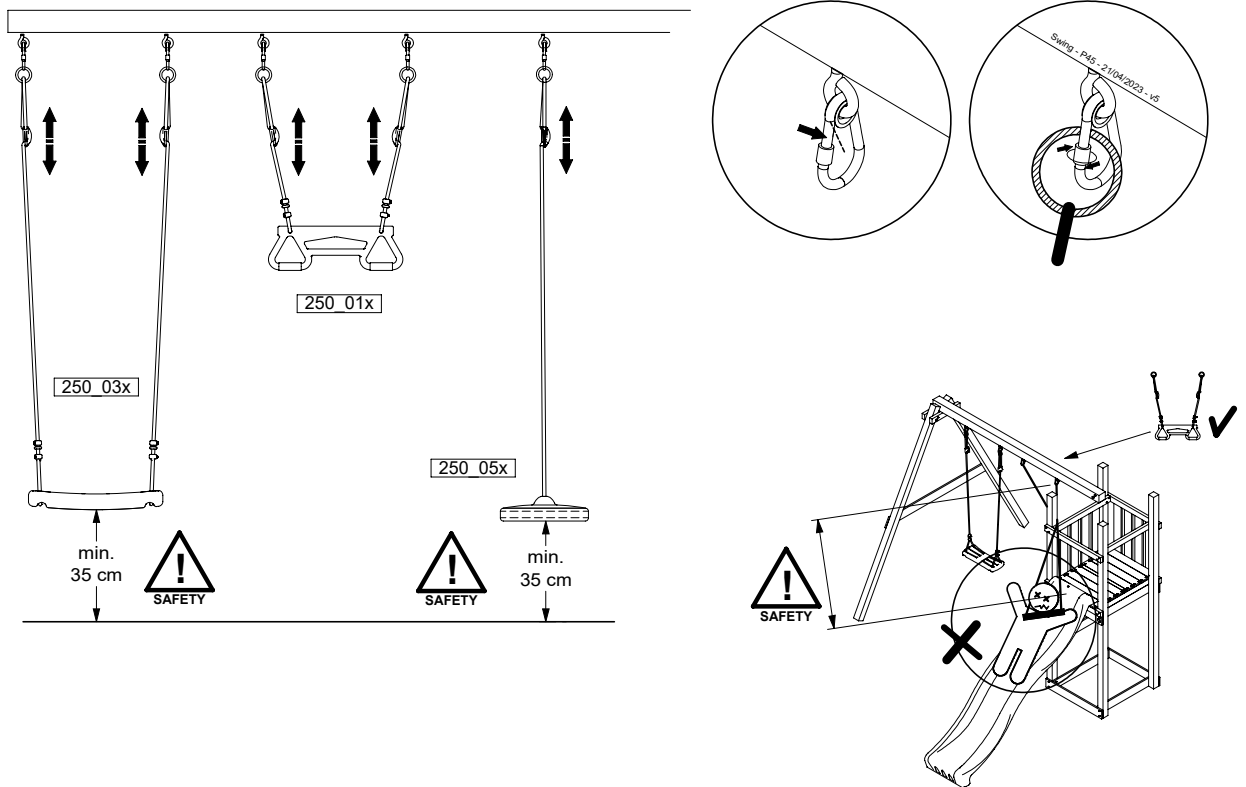
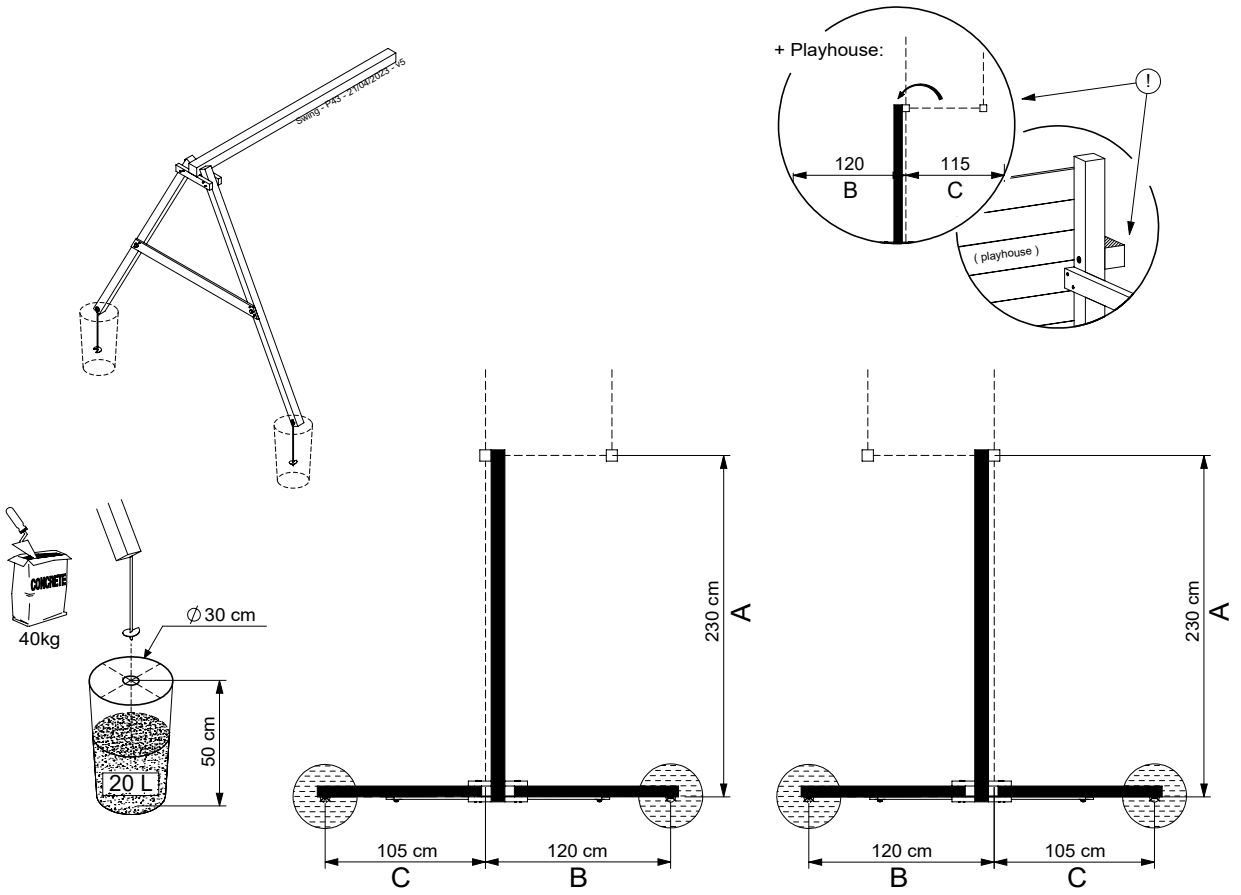
16.4



16.5



16.6

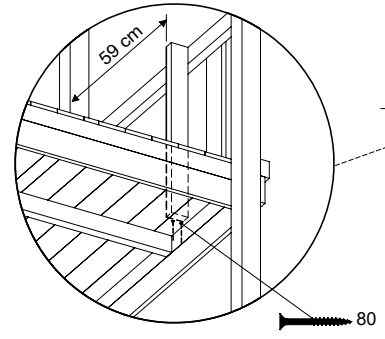
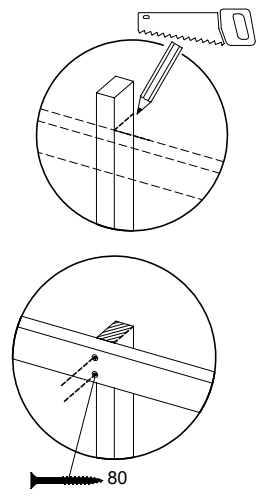
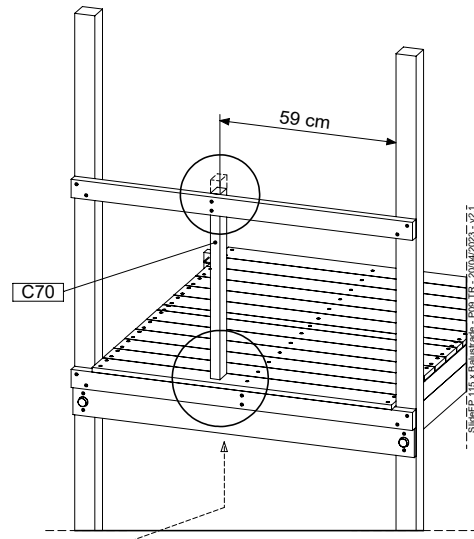
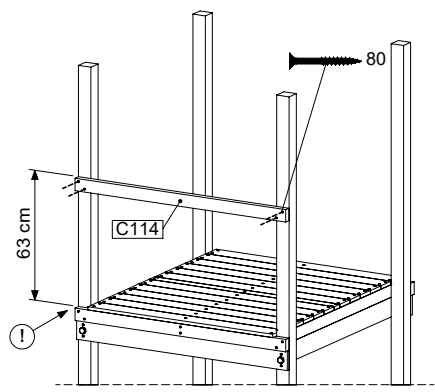
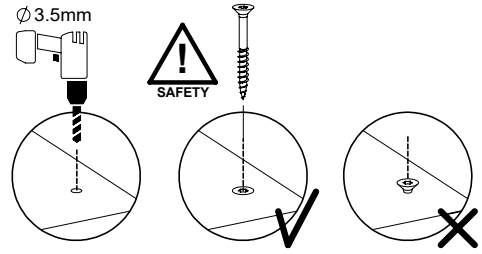
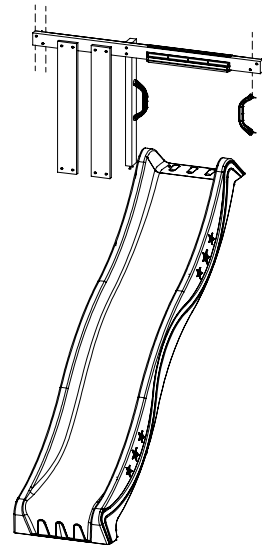


17 SL09: Slide 115 125 T Right

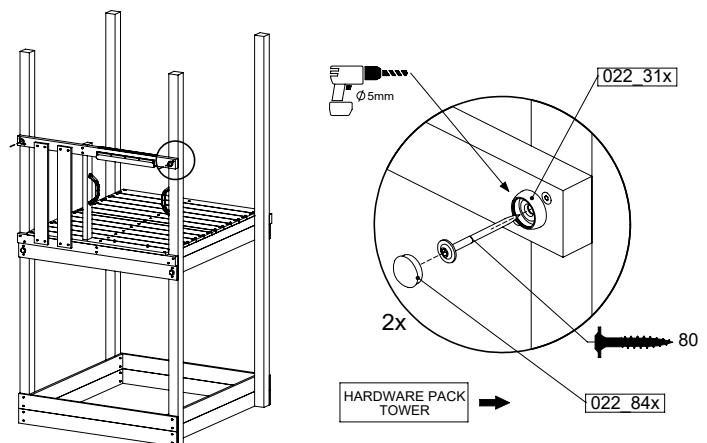
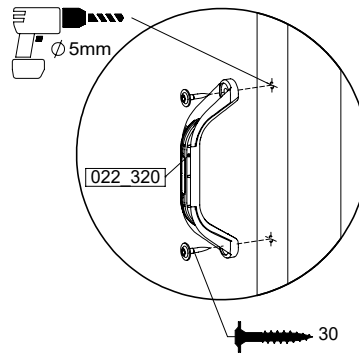
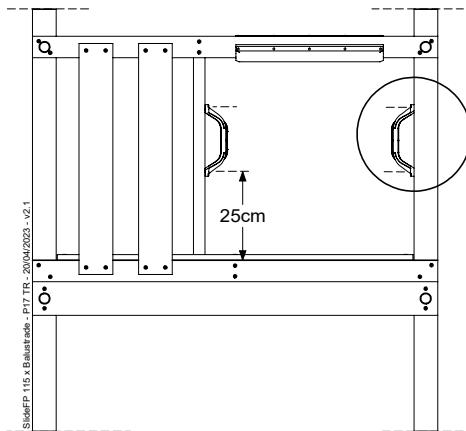
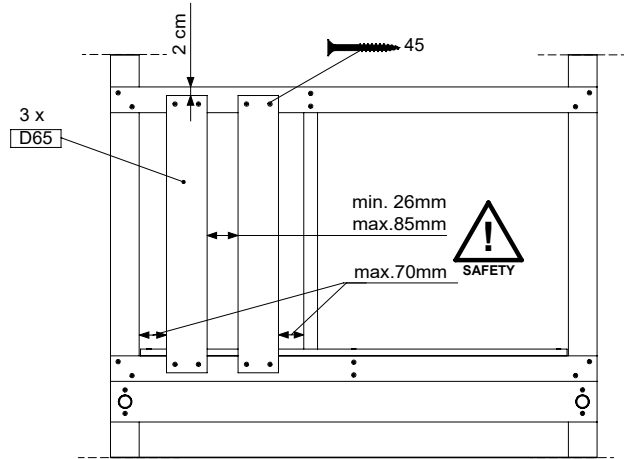
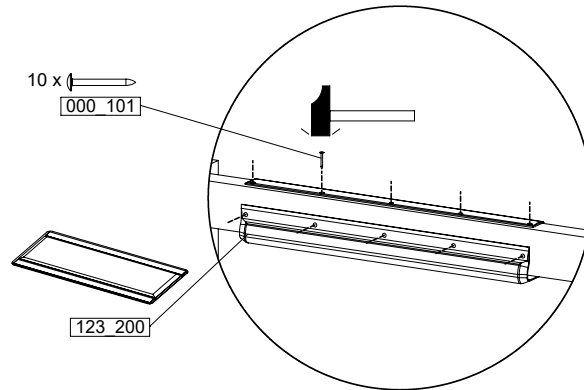
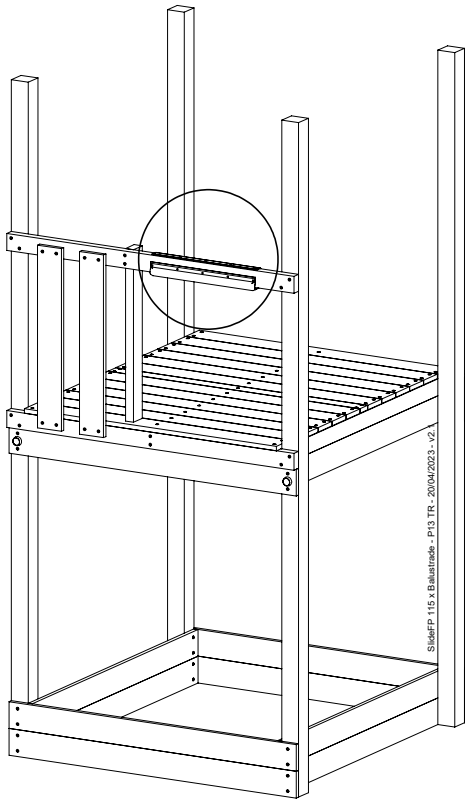
(194_107 + 194_101)

	PartNo	PartName	QTY.
Hardware Pack	000_101	Nail Pan Head	10
	002_220	Gap Point Screw T25 - 5x45	8
	002_223	Gap Point Screw T25 - 5x80	8
	002_308	Gap Point Screw T25 - 5x20	2
Other	120_102	Handgrip set (complete 2x)	1
	123_200	Bumperpad	1
	324_xxx 334_xxx	Wavy Star Slide XL 2200 mm / Wavy Star Slide XXL 2650 mm	1
Timber	C114	Beam 1140 mm	1
	C70	Beam 700 mm	1
	D65	Board 650 mm	2

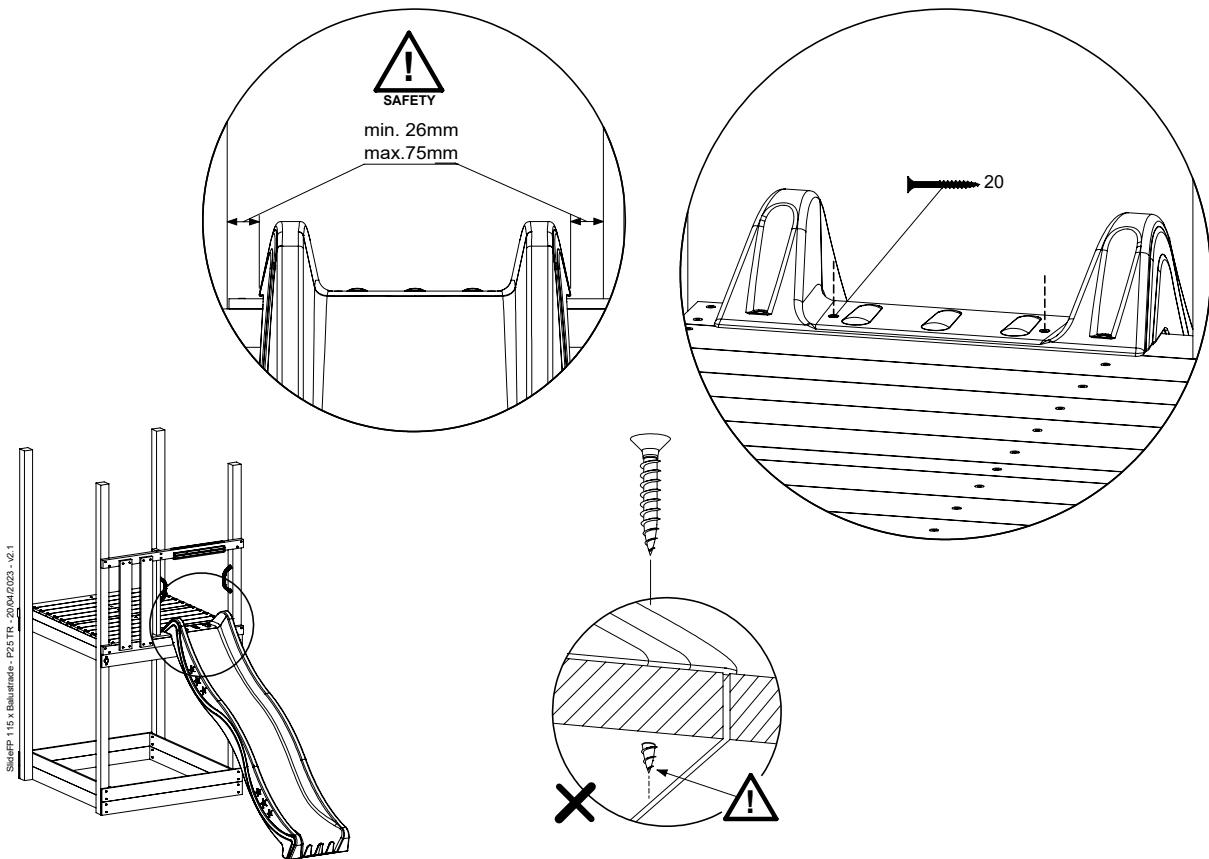
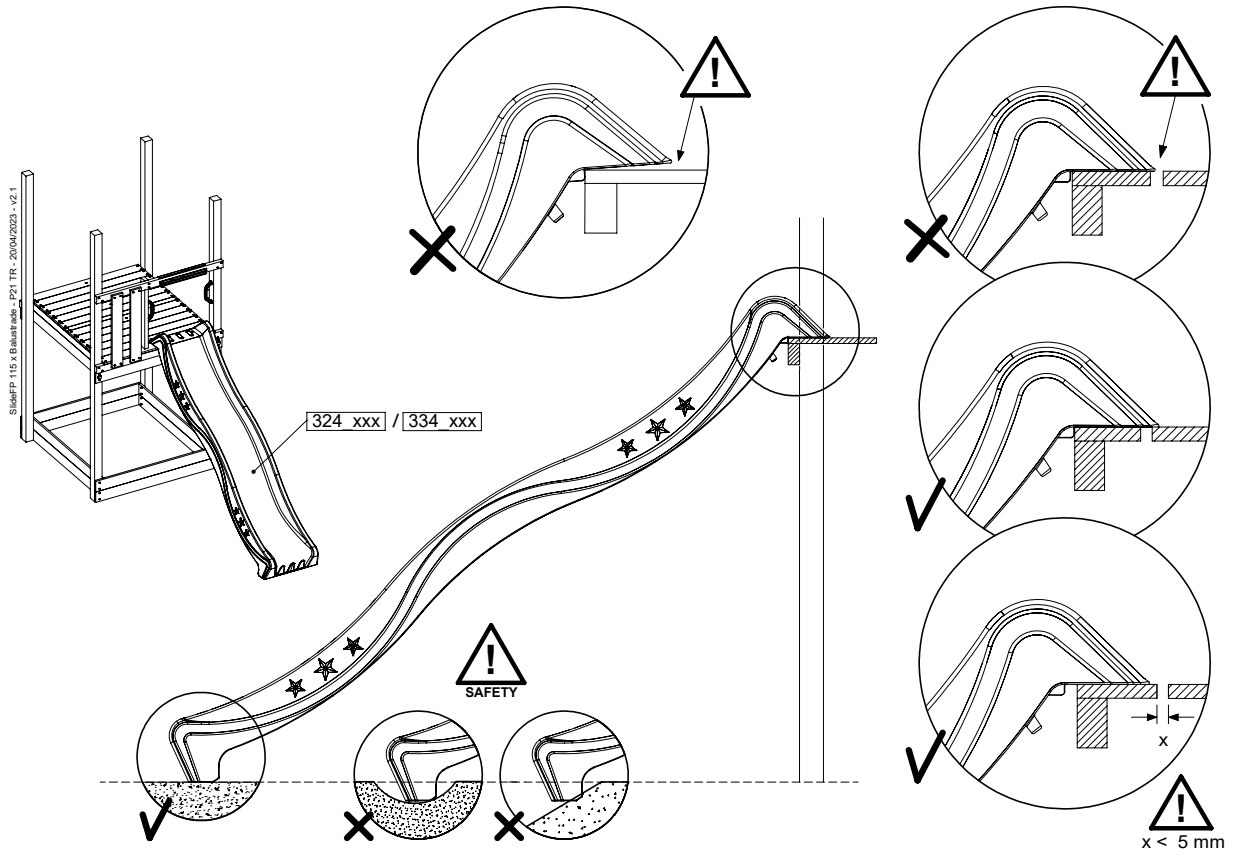
SlideFP 115 x Balastrade - P05 TR - 20/04/2023 - v2.1



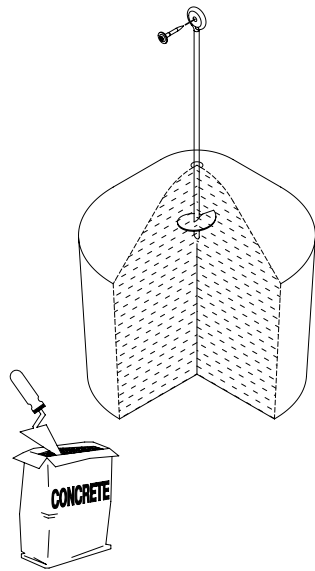
17.1



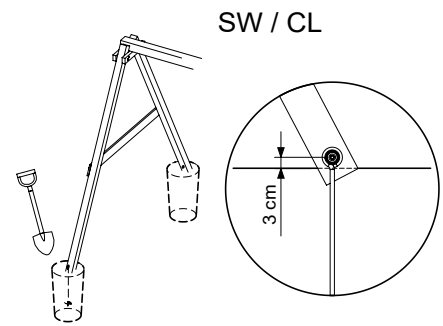
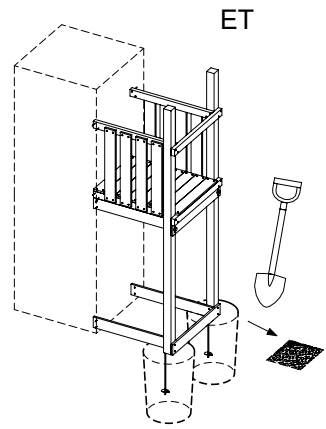
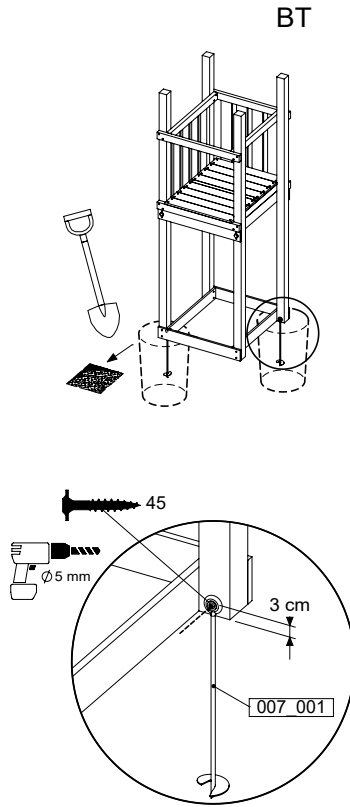
17.2



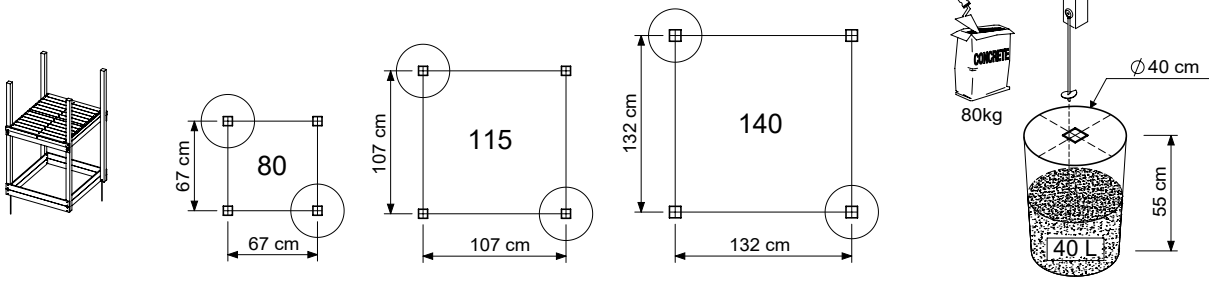
18 GA: Ground Anchors



Ground Anchors Uni. - P03 - 14/04/2023 - v1.1

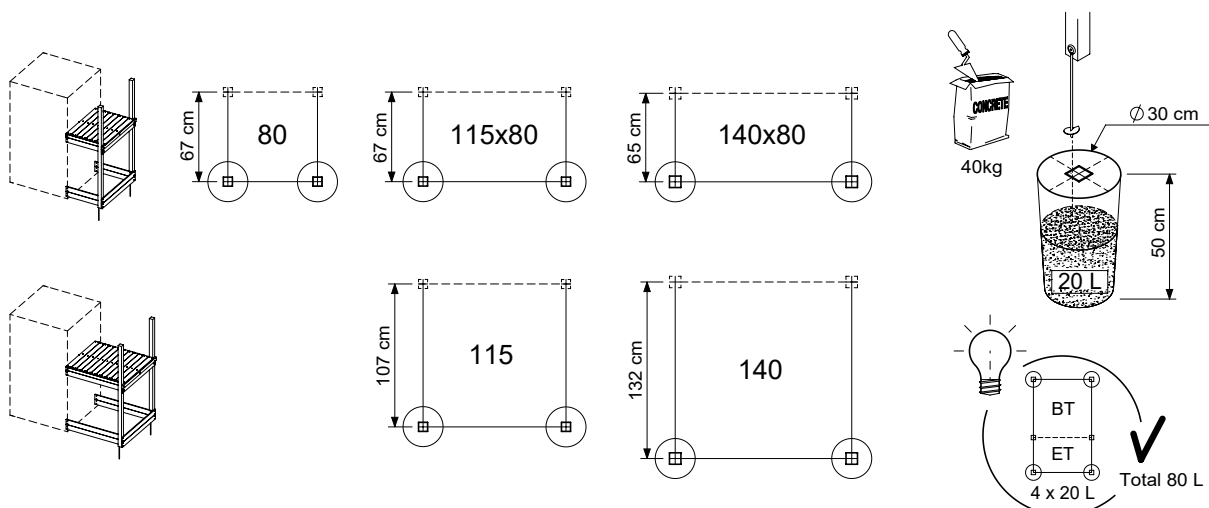


BASE TOWERS



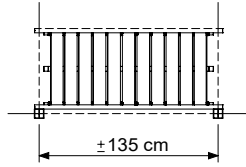
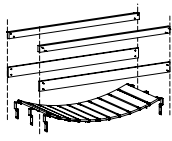
Ground Anchors Uni. - P01 - 14/04/2023 - v1.1

EXTENSION TOWERS

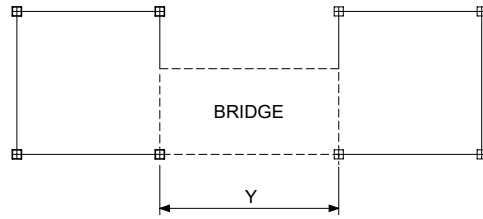
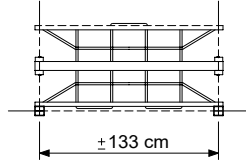
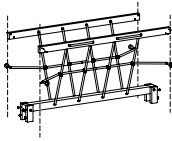


18.1

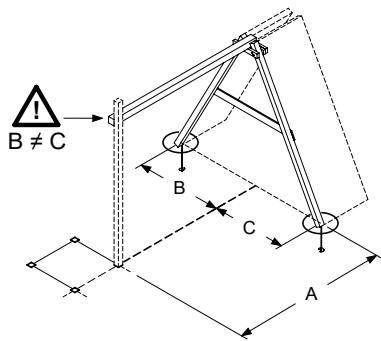
CLATTER BRIDGE



NET BRIDGE

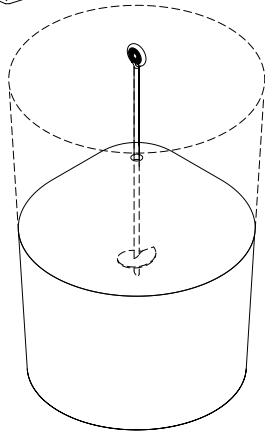
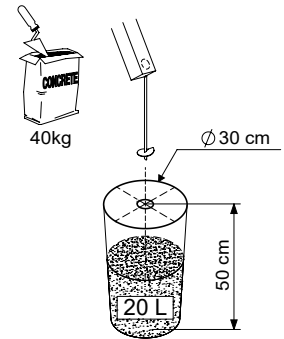


SWING / CLIMB MODULE

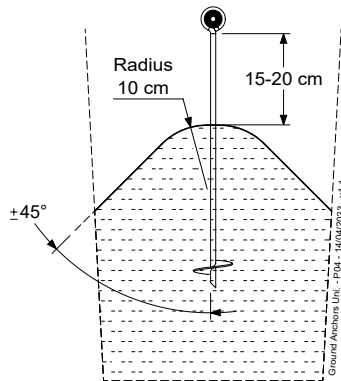


Module type	A	B	C
1-Swing 200	150	115	100
1-Swing 220 / 220 Extra		120	105
2-Swing 200	210	115	100
2-Climb 200			
1-Climb 200	142	120	105
1-Climb 220 / 220 Extra	162		
2-Swing 220 / 220 Extra	230	120	105
2-Climb 220 / 220 Extra			

Ground Anchors Ltd. - POZ - 14/04/2023 - v1.1



1.

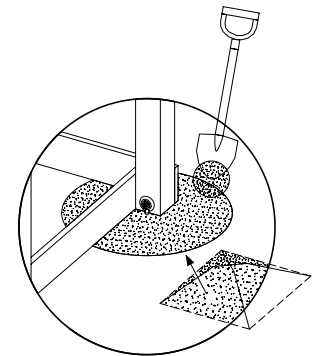


2.

24h



3.



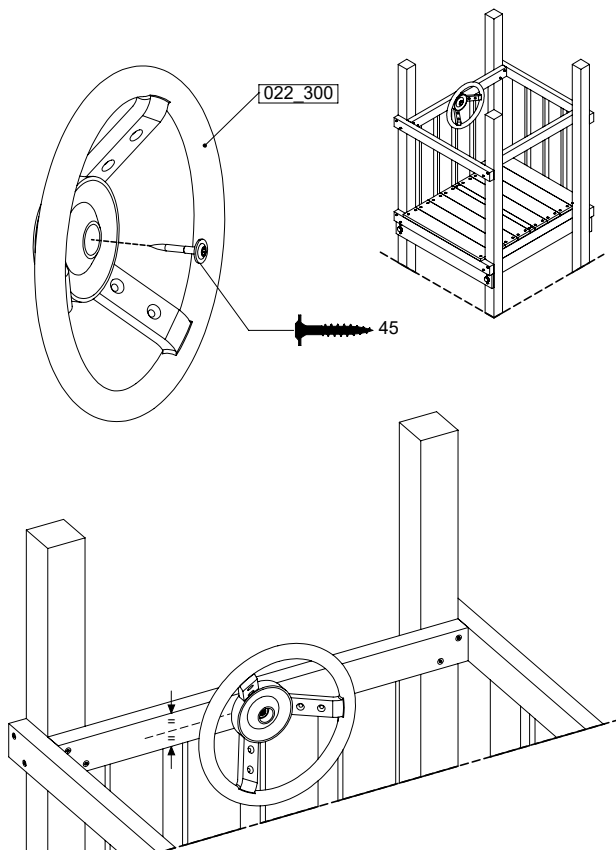
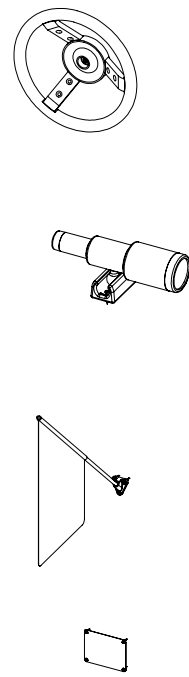
4.

19 AC01: Accessories

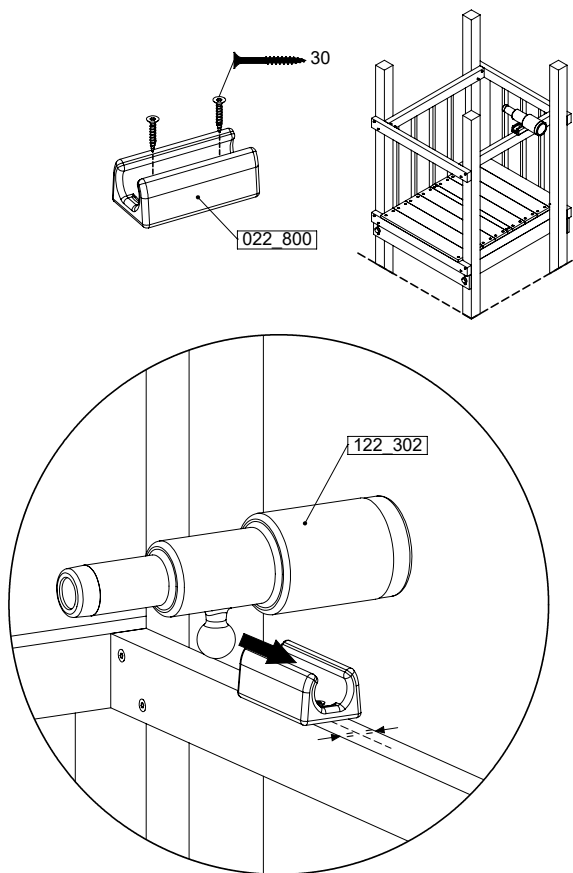
(194_119)

	PartNo	PartName	QTY.
Hardware Pack 100_617	001_406	Stealth Screw 8x45	1
	002_041	Dome head screw 4.5 x 20 mm	3
	002_042	Dome head screw 3.5 x 13mm	4
	002_219	Gap Point Screw T25 - 5x30	2
Other	022_300	Steering Wheel	1
	022_800	Rail P/T 105	1
	022_910	Sandpad	1
	103_901	Logo ID Plate	1
	104_107	Tool Set Climbing Units	1
	120_024	Tower Flag	1
	122_302	Telescope	1

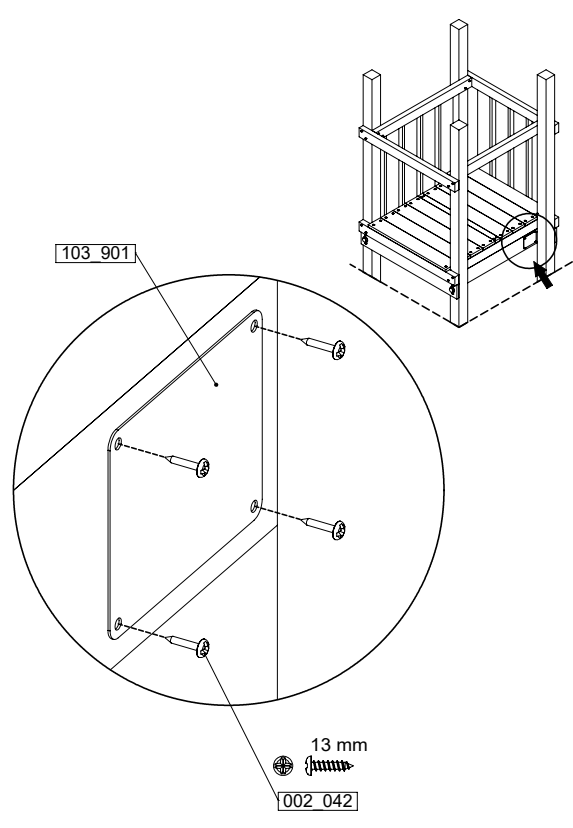
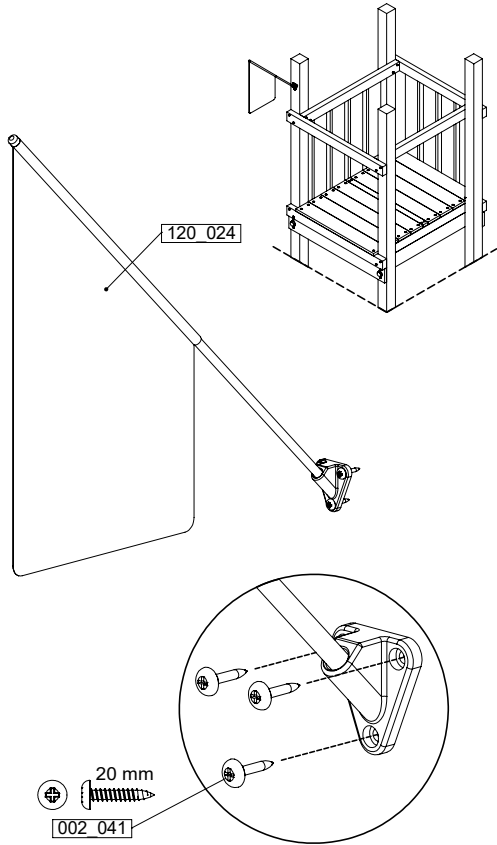
Accessory ref.: F02_230-2021 - v4



Accessory ref.: F03_250-2021 - v4



19.1



Accessories set - P04 - 2019-2021 - v4

20 Conformity: Declaration of Conformity

Declaration of Conformity



Manufacturer details

Company Name	Tag-line
Jungle Gym B.V.	Backyard Playgrounds
Address	
P.O. Box 75083, 1070 AB Amsterdam, Netherlands	

Activity toys for domestic use

Product Range Identification

Construction Packages (Sub-Assembly)

Universal Packs / Base Towers / Extension Towers / Roofs / Means of Exit/Access / Add-ons : 790_001 ... 794_911

Assembly

Playtowers : 801_005 ... 200	Links : 870_100 ... 105	Accessories : 123_220 ... 250_075
Playhouses : 830_150 ... 253, 835_251 ... 253	Swings : 801_300, _600, _601	Slides (XL) : 324_100 ... 600
Modules : 850_180 ... 415		Slides (XXL) : 334_100 ... 600
: 857_103, 857_108	Playtowers : 802_202 ... 208	
: 857_151, 857_158	: 803_202 ... 210	
	: 809_202 ... 804	

Applicable EC directives and standards

General

- General Product Safety Directive 2001/95/EG
- Reach directive 1907/2006
- AfPS GS 2019:01 PAK

Activity Toys

- Toy Safety Directive (2009/48/EG)
- EN 71 Safety of Toys
 - EN 71-1:2014 + A1:2018 Safety of toys Mechanical and physical properties
 - EN 71-2:2020 Flammability
 - EN 71-3:2019 + A1:2021 Migration of certain elements
 - EN 71-8:2018 Safety of toys Activity toys for domestic use

Supplementary information

Conformity to the above specified directives and standards has been frequently verified by TÜV Rheinland LGA products, DEKRA, LNE SA, since 1994. Jungle Gym participates in the European Commission for standardisation for the safety of activity toys (TC52 / WG 10).


Declaration

I hereby declare under our sole responsibility that the products mentioned above, to which this declaration relates, complies with the above mentioned directives and standards.



Name
Mr. P. Schmit / Director

Issued date
Januari 2nd, 2023



Signature of representative