

# Aesculap

- GB** Translation of the original instructions  
Exacta GT416 / Isis GT421
- D** Originalbetriebsanleitung  
Exacta GT416 / Isis GT421
- F** Traduction de la notice originale  
Exacta GT416 / Isis GT421
- E** Traducción del manual original  
Exacta GT416 / Isis GT421
- I** Traduzione delle istruzioni originali  
Exacta GT416 / Isis GT421
- NL** Vertaling van de oorspronkelijke gebruiksaanwijzing  
Exacta GT416 / Isis GT421
- S** Översättning av bruksanvisning i original  
Exacta GT416 / Isis GT421
- RUS** Инструкция по применению  
Exacta GT416 / Isis GT421
- PL** Tłumaczenie instrukcji oryginalnej  
Exacta GT416 / Isis GT421
- J** 取扱説明書  
Exacta GT416 / Isis GT421
- TW** 使用说明书  
Exacta GT416 / Isis GT421



<b>English</b> . . . . .	4
Translation of the original instructions	
<b>Deutsch</b> . . . . .	22
Originalbetriebsanleitung	
<b>Français</b> . . . . .	40
Traduction de la notice originale	
<b>Español</b> . . . . .	58
Traducción del manual original	
<b>Italiano</b> . . . . .	76
Traduzione delle istruzioni originali	
<b>Nederlands</b> . . . . .	94
Vertaling van de oorspronkelijke gebruiksaanwijzing	
<b>Svenska</b> . . . . .	112
Översättning av bruksanvisning i original	
<b>Русский</b> . . . . .	130
Инструкция по применению	
<b>Polski</b> . . . . .	150
Tłumaczenie instrukcji oryginalnej	
<b>日本語</b> . . . . .	168
取扱説明書	
<b>國語</b> . . . . .	186
娑鈺璧讨鉗	

## Contents

1.	Names of parts.....	7
2.	Safety .....	7
2.1	Explanation of warnings .....	7
2.2	Intended use.....	8
2.3	Important information about dangers .....	8
2.4	General safety information .....	10
2.5	Safety during operation.....	11
3.	Preparation.....	13
3.1	Charging .....	13
3.2	Storing power cord .....	14
3.3	Changing power supply adapter .....	15
4.	Operation .....	16
4.1	Switching On and Off .....	16
5.	Cleaning and care .....	16
6.	What should I do if ... ..	19
7.	Disposal.....	20
8.	Technical data .....	20
9.	Two-year guarantee.....	21

## Thank you

for choosing the **Exacta/Isis**, the professional trimmer from Aesculap.

It utilises state-of-the-art technology, is innovative and has a strong emphasis on design. When developing the trimmer, the requirements for a professional trimmer used in a hair salon were taken into consideration.

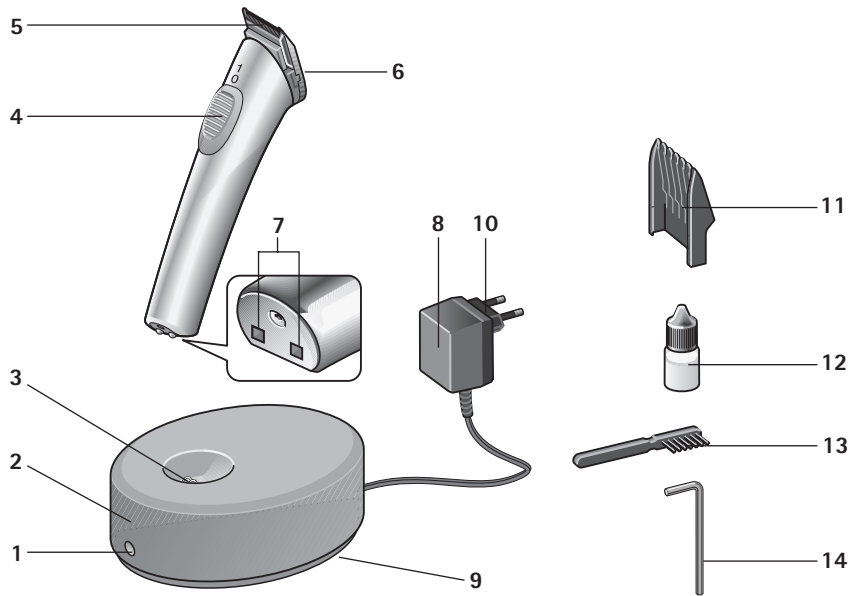
The trimmer is specifically designed for precision cutting of hair contours.

In addition to optimum cutting performance, the **Exacta/Isis** provides

- low weight
- a low-vibration and quiet motor
- long battery life thanks to Li-ion battery
- 4-stage cutting length adjustment with comb attachment
- cable storage

We wish you every success in the use of our shearing machine.

Best regards,  
Aesculap Suhl GmbH



## 1. Names of parts

---

- 1 Charging indicator
- 2 Charging unit
- 3 Charging contacts
- 4 On/Off switch
- 5 Blade set
- 6 Blade set fixing screw
- 7 Charging contacts of the appliance
- 8 Mains adapter
- 9 Cable storage compartment
- 10 Power supply adapter
- 11 Comb attachment
- 12 Oil bottle
- 13 Cleaning brush
- 14 Allen key (in base of charging unit)

## 2. Safety

---

Please read the instructions carefully, especially the chapter on "Safety", **before** using the trimmer. This will protect you from possible dangers and the appliance from damage due to incorrect operation.

Keep these instructions in a safe place for future reference. If you pass on the appliance to someone else, be sure to hand over these instructions as well.

### 2.1 Explanation of warnings

In these instructions you will find the following warnings:



**DANGER**

**High risk. Failure to observe the warning can cause serious injury.**



**WARNING**

**Medium risk. Failure to observe the warning may cause damage to property.**

**NOTE**

*Low risk. Points that you should observe when using or handling the appliance.*

**2.2 Intended use**

- The shearing machine is used for shearing small animals.
- The appliance is designed for indoor use only. Do not use outdoors (garden, patio etc.).
- The appliance was developed for professional use in grooming-salons and veterenary practice. Provided the safety information is observed, it can also be used in the home.

**2.3 Important information about dangers****Danger of electric shock!**

- The appliance must never be used or charged in the bath, shower, over a full wash basin or other water container, or with wet hands.



- Keep the device, the charging station and the power cord free of moisture, water and other liquids and never operate it with wet hands.



- Do not immerse the device, the charging station or the power cord under water or rinse under flowing water.
- If the appliance has fallen into water, it must not be used after that.
- Additional protection is afforded by installing a **residual current device** with a rated tripping current of less than 30 mA in your home electrical system. We recommend you get an electrician to install a residual current protection system to protect the circuits..



**WARNING**

**The shaver head can become hot after extended use!**

*NOTE*

*The Clipper may be operated only with a power supply according to the specifications on the rating plate.*



**DANGER**



**Risk due to swallowable parts!**

- Keep oil bottle cover away from children younger than 36 months old.

## 2.4 General safety information

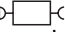


- Never use the appliance if:
  - the appliance, the charging station or the power cord are damaged.
  - the blade set is damaged or breaking up, as this could cause injuries to the skin.
  - the appliance has fallen or been dropped, shows signs of damage or is not functioning properly.
  - the appliance is so badly damaged that electrical parts are exposed.

In all such cases, disconnect from the mains immediately and inform Technical Customer Service.

- Check whether the mains voltage agrees with the voltage specified on the rating plate.

- Only operate device with the original power supply.

If the device has the marking  T10, any T10 model power supply can be used.

Shearing machines for animals may only be used by trained personnel.

- Keep the appliance out of reach of children.
- Also keep the packaging material, e.g. plastic film, away from children.
- Lay the power cord so that no one trips over or steps on it!
- Protect the power cord from damage. Never pull on the power cord. Grasp the power plug when you pull it from the socket. Keep the cord away from hot surfaces. Regularly inspect the power cord for damage.
- Operate and charge the device only between 0°C–40°C.
- To avoid risks, repairs must only be carried out by authorised Aesculap Customer Service Centres. This also applies to replacing the rechargeable battery.
- The blade set must not be dismantled.

## 2.5 Safety during operation



**DANGER**

**Do not touch the blade set of the active appliance.**

- To ensure proper functioning of the appliance, the blade set must be cleaned regularly and oiled in the appropriate places (see "Cleaning and care" on page 16).
- The appliance must be switched off whenever:
  - you put it down, e.g. to recharge it or stop cutting hair for a short period.
  - you fit or remove the comb attachment.
  - you want to clean or oil the appliance.
- Use the trimmer only in combination with the original Aesculap accessories (charging unit, comb attachment etc.).
- Never attempt to remove dust or foreign bodies from inside the appliance with pointed objects (e.g. with the tail of a comb).

**NOTE**

*The safety of Aesculap electrical appliances is in line with the recognised state of the art and the German Equipment Safety Act.*

*Light-emitting devices such as LEDs or infrared light do not exceed Laser class 1 of IEC 825-1.*

*Given the present state of the art, components of electrical appliances are subject to a certain degree of wear over time. To ensure perfect functioning and safety, we therefore recommend regular inspection by the Technical Customer Service of Aesculap Suhl GmbH.*

**Service Addresses**

Albert Kerbl GmbH  
Felizenzell 9  
84428 Buchbach / Germany

Phone: +49 8086 933-100  
Fax: +49 8086 933-500  
E-Mail: [info@kerbl.com](mailto:info@kerbl.com)  
[www.kerbl.com](http://www.kerbl.com)

Further service addresses you can demand from the mentioned above address.

## 3. Preparation

---

### 3.1 Charging

**The device should be charged for 2 hours before first use.**

Before plugging in the trimmer, make sure that the mains voltage agrees with the voltage specified on the rating plate.

It is not possible to "overcharge" the appliance.

#### NOTE

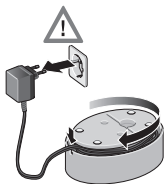
*If you also use the predecessor model type HS61 in addition to the new type HS62 shearing machine, you can charge the device in the old charging station (charge time 90 minutes) and/or charge the old device type HS61 in the new charging station (charging time 60 minutes).*

*The type HS60 shearing machine can also be charged in the type HS62 charging station. However, it is not possible to charge a type HS62 in the charging station for the type HS60.*



- Insert the mains adapter **8** in a power socket.
  - Place the charging unit **2** on a flat surface.
- 
- Place the device in the charging station. It positions itself and begins to charge. The green charge indicator **1** blinks when charging current is flowing. Ensure that the on/off switch **4** is set to 0 during charging. The battery is completely charged as soon as the green charge indicator **1** lights up steadily.

### 3.2 Storing power cord



If you do not need the full length of the cord, a portion of the power cord can be stored in the cable storage **9**.

- Pull out the mains plug.
- Turn the charging unit upside down.
- Wind the excess cable round the holder in the base, then run the cable through the small recess in the housing to the outside.

### 3.3 Changing power supply adapter

The device is delivered with a power supply adapter **10**.



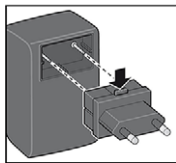
#### Risk from electric shock!

- Use only the original power supply adapter **10**.
- Remove the power supply device **8** from the socket before changing the power supply adapter **10**.
- Make certain that the power supply device **8** cannot be reinserted during cleaning.



#### Damage to power adapter from incorrect use!

- Be sure not to bend the small pins on the power supply device **8**.



➤ Push the release button in the direction of the arrow while withdrawing the installed power supply adapter **10**.

➤ Insert the required power supply adapter **10** into the power supply device **8**. Ensure that the release button is on top and locks into place.

## 4. Operation

---

### 4.1 Switching On and Off



- To switch the appliance on, slide the On/Off switch **4** forward.
- To switch the appliance off, slide the On/Off switch to position **0**.

### 14.1 Comb attachment



- Switch off the trimmer and slide the comb attachment onto the blade set until it snaps into place. You can now start trimming hair with the trimmer in the usual way.



- The comb attachment can be adjusted to 4 different cutting lengths (approx. 3 to 6 mm). To do so, push it to the required position on the blade set.

The further you push the comb attachment onto the blade set, the shorter the cutting length.

## 5. Cleaning and care

---

To ensure proper functioning and full performance from your trimmer, clean and oil the appliance regularly.

### Cleaning the blade set



**Damage to the clipper head caused by its removal!**

- Never remove the clipper head. Once removed it cannot be reattached.

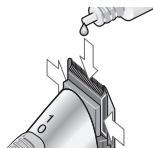


If used regularly, the blade set **5** should be thoroughly cleaned **once a day**.

- Switch the appliance off.
- Remove the comb attachment if fitted.
- Use the cleaning brush **12** to remove any hairs.

### Oiling the blade set

To maintain the high-quality cutting performance of the blade set as long as possible, it must be oiled regularly – every 10 minutes.



- Remove the comb attachment if fitted.
- Lubricate the areas where there is contact between the upper and lower parts of the blade set (see illustration).

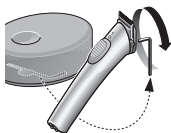
### Replacing the blade set

The blade set is subject to wear. Even if you look after the appliance properly, the cutting performance will deteriorate. Replace the blade set when it is worn. The blade set can be ordered separately as a spare part from Aesculap Customer Service (see addresses at the end of these instructions).



**Damage to casing when screwing on clipper head!**

- Do not over tighten the screw.



- Make sure the On/Off switch **4** is in the 0 position.
- Remove the Allen key **13** from the base of the charging unit and use it to loosen the blade set screw **6**.
- Loosen the screw fully and remove it.
- Push the blade set upwards with your thumb.
- Push the new blade set on until it snaps into place and secure it using the screw.

While the blade set is removed, you can use the cleaning brush to remove residual hair from inside the appliance.

#### Cleaning the appliance

- Clean your appliance occasionally with a damp cloth, then wipe it dry.

#### Cleaning the charging contacts

If the charging contacts **7** on the appliance or the charging contacts **3** on the charging unit are dirty, charging may not be possible or may be interrupted.

- Clean the contacts using a cloth or wad of cotton wool soaked in alcohol or spirit.

**If the battery is run down (motor stops), be sure to switch the On/Off switch to 0 and place the appliance in the charging unit.**

- Make sure you do not leave the appliance switched on when putting it aside if the battery is run down.
- Make sure the appliance is switched off (On/ Off switch to 0) when you place it in the charging unit.

## 6. What should I do if ...

---

### ... the appliance will not switch on?

- Is the battery low? Plug in the mains adapter for the charging unit and charge the trimmer.
- Is the blade set dry? The blade set must be oiled. Proceed as described on page 17.

### ... the blade set "sticks"?

- The blade set must be oiled. Proceed as described on page 17.

### ... the charging indicator does not light up when charging?

- Clean the charging contacts.
- The appliance may not be positioned correctly in the charging unit. Position it correctly.
- Is the charging unit properly connected?

### ... the appliance switches itself off?

- The battery is low. Charge the trimmer.

### ... the battery no longer charges?

- Check whether the charging stand for the HS60 shearing machine is being used; see ID plate on charging stand. This is incompatible with the HS62 shearing machine.
- If not, send the machine to the Aesculap repair service.

## 7. Disposal



This electrotechnical device has a permanently installed battery.



The product contains electronic components and/or batteries. Do not dispose of the device in household trash; instead, deliver it for recycling to a community collection point.

## 8. Technical data

Product	Exacta/Isis
Mains adapter	
Input voltage	100-240 V ~ 50/60 Hz
Volume	< 60 dB(A)
Total vibration level	ah < 2.5 m/s <sup>2</sup>
Attachment	1 comb attachment
Dimensions	140 x 30 x 36 mm
Weight	115 g



Subject to technical change without notice.

## 9. Two-year guarantee

---

Dear Customer,

Thank you for choosing a product from our company.

For decades, the name Aesculap has stood for proven quality and first-class service. We are known to provide innovative, high-performance products for our customers. Aesculap manufactures high-quality devices, using high-quality materials and careful manufacturing processes. We would like to point out to you that we are not liable for defects in our products, if these are caused by improper use, normal wear or are caused by the product being improperly used or if inappropriate or not properly functioning third-party products are used.

Parts that are typically subject to wear, and for which we are therefore not liable, are the battery and clipper head. Defects that do not affect or only negligibly affect the value or function of the product are also excluded from our warranty.

If we are liable under our warranty, we reserve the right to repair or replace the product.

### Service Addresses

Albert Kerbl GmbH  
Felizenzell 9  
84428 Buchbach / Germany

Phone: +49 8086 933-100  
Fax: +49 8086 933-500  
E-Mail: [info@kerbl.com](mailto:info@kerbl.com)  
[www.kerbl.com](http://www.kerbl.com)

Further service addresses you can demand from the mentioned above address.

## Inhaltsverzeichnis

1.	Bezeichnung der Teile .....	25
2.	Sicherheit .....	25
2.1	Begriffserklärung .....	25
2.2	Bestimmungsgemäße Verwendung .....	26
2.3	Wichtige Gefahrhinweise .....	26
2.4	Allgemeine Sicherheitshinweise .....	28
2.5	Sicherheit während des Betriebes .....	29
3.	Vorbereitung .....	31
3.1	Ladevorgang .....	31
3.2	Verbindungsleitung verstauen .....	32
3.3	Netzstecker-Adapter wechseln .....	33
4.	Bedienung .....	34
4.1	Ein- und Ausschalten .....	34
4.2	Kammaufsatz .....	34
5.	Reinigung und Pflege .....	34
6.	Was tun, wenn ....	37
7.	Entsorgung .....	38
8.	Technische Daten .....	38
9.	2 Jahre Gewährleistung .....	39

## Herzlichen Dank

für den Kauf der **Exacta/Isis**, der neuen Schermaschine von Aesculap.

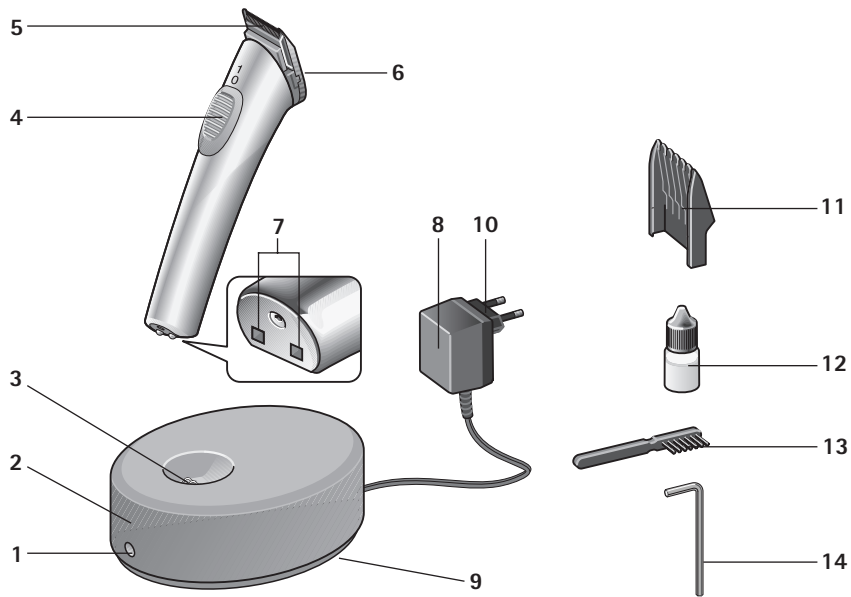
Sie entspricht dem neuesten Stand der Technik, ist innovativ und designorientiert. Bei der Entwicklung der Schermaschine wurden die Anforderungen an einen Profi-Trimmer berücksichtigt. Die Schermaschine ist besonders zum präzisen Schneiden der Haarkonturen geeignet.

Neben einer optimalen Schneidleistung bietet Ihnen die **Exacta/Isis**:

- geringes Gewicht
- einen vibrationsarmen und leisen Motor
- Langer Akkubetrieb durch Li-Ionen Akku
- 4-Stufen-Schnittlängenverstellung mit Kammaufsatz
- Kabeldepot

Wir wünschen Ihnen viel Freude beim Arbeiten mit der Schermaschine.

Ihre  
Aesculap Suhl GmbH





## 1. Bezeichnung der Teile

---

- 1 Ladeanzeige
- 2 Ladestation
- 3 Ladekontakte
- 4 Ein-/Ausschalter
- 5 Scherkopf
- 6 Befestigungsschraube Scherkopf
- 7 Ladekontakte des Gerätes
- 8 Steckernetzgerät
- 9 Kabeldepot
- 10 Netzstecker-Adapter
- 11 Kammaufsatz
- 12 Ölflasche
- 13 Reinigungspinsel
- 14 Innensechskantschlüssel (im Boden der Ladestation)

## 2. Sicherheit

---

Bitte lesen Sie die Gebrauchsanweisung, besonders das Kapitel "Sicherheit" sorgfältig durch, **bevor** Sie die Schermaschine in Betrieb nehmen. So schützen Sie sich vor möglichen Gefahren und das Gerät vor Schäden durch Fehlbedienung.

Bewahren Sie diese Gebrauchsanweisung zum späteren Nachlesen auf. Bei Weitergabe des Gerätes geben Sie bitte auch diese Gebrauchsanweisung mit.

### 2.1 Begriffserklärung

In dieser Gebrauchsanweisung finden Sie die folgenden Begriffe:



**GEFAHR**

**Hohes Risiko. Missachtung der Warnung kann schwere Verletzungen verursachen.**



**WARNUNG**

**Mittleres Risiko. Missachtung der Warnung kann einen Sachschaden verursachen.**

### HINWEIS

*Geringes Risiko. Hinweise, die Sie beim Umgang mit dem Gerät beachten sollten.*

## 2.2 Bestimmungsgemäße Verwendung

- Die Schermaschine wird zum Trimmen von Kleintierhaaren verwendet.
- Das Gerät ist nur für den Gebrauch in Innenräumen ausgelegt! Nicht außerhalb der Räumlichkeiten (Garten, Terrasse etc.) in Betrieb nehmen!
- Das Gerät wurde für den professionellen Einsatz im Grooming-Salon und in der Tierarztpraxis entwickelt. Unter Beachtung der Sicherheitshinweise ist auch ein Einsatz zu Hause möglich.

## 2.3 Wichtige Gefahrhinweise



### Gefahr eines elektrischen Schlages!

- Das Gerät darf niemals in der Badewanne, Dusche, über einem gefüllten Waschbecken / sonstigen Gefäß aufgeladen oder betrieben werden.



- Halten Sie das Gerät, die Ladestation und die Verbindungsleitung von Feuchtigkeit, Wasser und anderen Flüssigkeiten fern und bedienen Sie es nicht mit nassen Händen.

- Das Gerät, die Ladestation und die Verbindungsleitung nicht unter Wasser tauchen oder unter fließendem Wasser abspülen.
- Sollte das Gerät ins Wasser gefallen sein, darf es danach nicht wieder benutzt werden.
- Einen zusätzlichen Schutz bietet der Einbau einer **Fehlerstromschutzeinrichtung**, mit einem Nennauslösestrom von weniger als 30 mA, in der Hausinstallation. Wir empfehlen Ihnen, die Stromkreise von Ihrem Elektrofachmann mit einer FI-Schutzschaltung absichern zu lassen.



**WARNUNG** werden!

**Nach ausgedehntem Gebrauch  
kann der Scherkopf heiß**

*Hinweis*

*Die Haarschneidemaschine darf nur mit einem Netzteil entsprechend den Angaben auf dem Typenschild betrieben werden.*



**GEFAHR**



**Gefahr durch verschluckbare Teile!**

- Deckel der Ölflasche von Kindern bis 36 Monaten fernhalten.

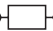
## 2.4 Allgemeine Sicherheitshinweise



- Nehmen Sie das Gerät niemals in Betrieb, wenn:
  - das Gerät, die Ladestation oder die Verbindungsleitung beschädigt ist.
  - der Scherkopf beschädigt oder angebrochen ist, da die Haut verletzt werden kann.
  - das Gerät gefallen ist, sichtbare Schäden aufweist oder die Funktionsweise eingeschränkt ist.
  - das Gerät so beschädigt ist, dass elektrische Teile freiliegen.

In jedem Fall sofort das Gerät vom Netz trennen und den technischen Kundendienst informieren!

- Überprüfen Sie, ob die Netzspannung mit der auf dem Typenschild angegebenen Spannung übereinstimmt.

- Gerät nur mit Original-Netzteil betreiben.  
Hat das Gerät die Markierung  T10, kann jedes Netzteil des Modells T10 verwendet werden.

Schermaschinen für Tiere dürfen nur von unterwiesenen Personen benutzt werden.

- Bewahren Sie das Gerät für Kinder unzugänglich auf.
- Halten Sie ebenfalls das Verpackungsmaterial, wie z. B. Folien, von Kindern fern.
- Legen Sie die Verbindungsleitung so, dass niemand darüber stolpert oder darauf tritt!
- Schützen Sie die Verbindungsleitung vor Beschädigungen. Ziehen Sie niemals an der Verbindungsleitung. Fassen Sie das Steckernetzgerät an, wenn Sie dieses aus der Steckdose ziehen. Halten Sie die Leitung von heißen Oberflächen fern. Überprüfen Sie die Verbindungsleitung regelmäßig auf Beschädigungen.
- Gerät nur zwischen 0°C–40°C betreiben oder laden.
- Um eine Gefährdung zu vermeiden, dürfen Reparaturen nur vom autorisierten Aesculap-Kundendienst ausgeführt werden. Dies gilt auch für den Austausch des Akkus.
- Der Scherkopf darf nicht zerlegt werden.

## 2.5 Sicherheit während des Betriebes



**GEFAHR**

**Greifen Sie beim eingeschalteten Gerät nicht in oder an den Scherkopf.**

- Für einwandfreien Betrieb muss der Scherkopf regelmäßig gereinigt und an den entsprechenden Stellen geölt werden (siehe "Reinigung und Pflege" auf Seite 34).
- Das Gerät muss ausgeschaltet sein, wenn:
  - Sie das Gerät aus der Hand legen, z. B. um es aufzuladen oder wenn Sie kurzzeitig den Schneidevorgang unterbrechen.
  - Sie den Kammaufsatz aufstecken oder abnehmen.
  - Das Gerät gereinigt oder geölt werden soll.
- Verwenden Sie die Schermaschine nur zusammen mit den Original-Zubehörteilen (Ladestation, Kammaufsatz etc.).
- Versuchen Sie niemals mit spitzen Gegenständen (z. B. mit einem Stielkamm) Staub oder Fremdkörper aus dem Geräteinneren zu entfernen.

## HINWEIS

*Wenn Sie neben der neuen Schermaschine Typ HS62 auch das Vorgängermodell Typ HS61 benutzen, können Sie das neue Gerät in der alten Ladestation aufladen (Ladezeit 90 min) und/oder das alte Gerät Typ HS61 in der neuen Ladestation aufladen (Ladezeit 60 min).*

*Die Schermaschine Typ HS60 kann auch in der Ladestation der Typ HS62 geladen werden. Es ist jedoch nicht möglich, eine Typ HS62 in der Ladestation der Typ HS60 zu laden.*

## Service-Adresse

Albert Kerbl GmbH  
Felizenzell 9  
84428 Buchbach / Germany

Phone: +49 8086 933-100

Fax: +49 8086 933-500

E-Mail: [info@kerbl.com](mailto:info@kerbl.com)

[www.kerbl.com](http://www.kerbl.com)

Weitere Service-Adressen erfahren Sie über die oben genannte Adresse.

## 3. Vorbereitung

### 3.1 Ladevorgang

**Vor dem ersten Gebrauch sollte das Gerät 2 Stunden geladen werden.**

Bevor Sie die Schermaschine an eine Steckdose anschließen, vergewissern Sie sich, dass die Netzspannung mit der auf dem Typenschild angegebenen Spannung übereinstimmt.

Ein "Überladen" des Gerätes ist nicht möglich.

#### HINWEIS

*Wenn Sie neben der neuen Schermaschine Typ HS62 auch das Vorgängermodell Typ HS61 benutzen, können Sie das neue Gerät in der alten Ladestation aufladen (Ladezeit 90 min) und/oder das alte Gerät Typ HS61 in der neuen Ladestation aufladen (Ladezeit 60 min).*

*Die Schermaschine Typ HS60 kann auch in der Ladestation der Typ HS62 geladen werden. Es ist jedoch nicht möglich, eine Typ HS62 in der Ladestation der Typ HS60 zu laden.*



- Stecken Sie das Steckernetzgerät **8** in eine Steckdose.
  - Stellen Sie die Ladestation **2** auf eine ebene Fläche.
- Stellen Sie das Gerät in die Ladestation. Es positioniert sich von selbst und wird aufgeladen. Die grüne Ladeanzeige **1** blinkt immer, wenn der Ladestrom fließt. Achten Sie darauf, dass der Ein-/Ausschalter **4** beim Aufladen auf 0 steht. Der Akku ist vollständig geladen, sobald die grüne Ladeanzeige **1** durchgehend leuchtet.

### 3.2 Verbindungsleitung verstauen



Wenn Sie nicht die volle Länge der Leitung benötigen, kann ein Teil der Verbindungsleitung im Kabeldepot **9** verstaut werden.

- Ziehen Sie den Netzstecker.
- Drehen Sie die Ladestation um.
- Wickeln Sie das überschüssige Kabel um die Halterung im Boden und führen Sie das Kabel durch die kleine Aussparung im Gehäuse nach außen.



### 3.3 Netzstecker-Adapter wechseln

Das Gerät wird mit einem Netzstecker-Adapter **10** geliefert.



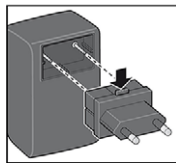
#### Gefahr durch Stromschlag!

- Verwenden Sie ausschließlich die Original-Netzstecker-Adapter **10**.
- Ziehen Sie das Steckernetzgerät **8** aus der Steckdose, bevor Sie die Netzstecker-Adapter **10** wechseln.
- Stellen Sie sicher, dass das Steckernetzgerät **8** während der Reinigung nicht wieder eingesteckt werden kann.



#### Beschädigung des Steckernetzgeräts durch Fehlanwendung!

- Achten Sie darauf, die kleinen Pins am Steckernetzgerät **8** nicht zu verbiegen.



➤ Drücken Sie die Entriegelungstaste in Pfeilrichtung hinein, während Sie den montierten Netzstecker-Adapter **10** abziehen.

➤ Stecken Sie den benötigten Netzstecker-Adapter **10** in das Steckernetzgerät **8**. Achten Sie darauf, dass sich die Entriegelungstaste oben befindet und einrastet.

## 4. Bedienung

### 4.1 Ein- und Ausschalten



- Um das Gerät einzuschalten, schieben Sie den Ein-/Ausschalter **4** nach vorne.
- Um das Gerät auszuschalten, schieben Sie den Ein-/Ausschalter auf Position **0**.

### 4.2 Kammaufsatz



- Schalten Sie die Schermaschine aus und schieben Sie den Kammaufsatz auf den Scherkopf, bis er einrastet.

Anschließend können Sie die Kleintierhaare wie gewohnt mit der Schermaschine schneiden.



- Der Kammaufsatz lässt sich auf 4 verschiedene Schnittlängen einstellen (ca. 3 bis 6 mm). Dazu schieben Sie ihn auf dem Scherkopf in die gewünschte Position.

Je weiter der Kammaufsatz eingeschoben wird, desto kürzer ist die Schnittlänge.

## 5. Reinigung und Pflege

Um die einwandfreie Funktion und volle Leistungsfähigkeit Ihrer Schermaschine sicherzustellen, reinigen und ölen Sie das Gerät regelmäßig.

### Reinigen des Scherkopfes



**WARNUNG**

### Beschädigung des Scherkopfes durch Demontage!

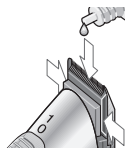
- Demontieren Sie keinesfalls den Scherkopf, da eine anschließende Montage nicht mehr möglich ist.

Bei regelmäßigem Gebrauch sollte der Scherkopf **5 einmal täglich** gründlich gereinigt werden.

- Schalten Sie das Gerät aus.
- Nehmen Sie ggf. den Kammaufsatz ab.
- Entfernen Sie die Haare mit dem Reinigungspinsel **13**.

### Ölen des Scherkopfes

Um die gute Schneidleistung des Scherkopfes möglichst lange zu erhalten, muss der Scherkopf regelmäßig – **alle 10 Minuten** – geölt werden.



- Nehmen Sie ggf. den Kammaufsatz ab.
- Ölen Sie die Stellen, wo sich der obere und untere Teil des Scherkopfes berühren (siehe Abbildung).

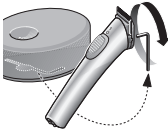

### Austauschen des Scherkopfes

Der Scherkopf ist ein Verschleißteil. Trotz guter Pflege wird die Schneidleistung nachlassen. Tauschen Sie den Scherkopf dann aus. Der Scherkopf kann einzeln als Ersatzteil beim Aesculap-Kundendienst bestellt werden (Adressen am Ende dieser Anleitung).



**WARNUNG**

### Beschädigung des Gehäuses beim Anschrauben des Scherkopfes!

- Ziehen Sie die Schraube nicht zu fest an.
- 
- Stellen Sie sicher, dass der Ein-/Ausschalter **4** in der Position 0 steht.
  - Nehmen Sie den Innensechskantschlüssel **14** aus dem Boden der Ladestation, um die Schraube **6** des Scherkopfes zu lösen.
  - Lösen Sie die Schraube ganz und nehmen Sie sie heraus.
  - Drücken Sie mit dem Daumen den Scherkopf nach oben ab.
  - Setzen Sie den neuen Scherkopf auf, bis er einrastet, und schrauben Sie ihn fest.
- 

Beim Austauschen des Scherkopfes können Sie Haarreste im Innenraum mit dem Pinsel entfernen.

#### Reinigung des Gerätes

- Wischen Sie Ihr Gerät gelegentlich mit einem feuchten Tuch ab, anschließend trockenreiben.

#### Reinigung der Ladekontakte

Wenn die Ladekontakte **7** am Gerät oder die Ladekontakte **3** an der Ladestation verschmutzt sind, kann der Aufladevorgang unterbrochen oder behindert werden.

- Reinigen Sie die Kontakte mit einem in Alkohol oder Spiritus getauchten Wattebausch oder Tuch.

**Wenn der Akku leer ist (Stillstand des Motors), schalten Sie unbedingt den Ein-/Ausschalter auf 0 und stellen Sie das Gerät in die Ladestation.**

- Achten Sie darauf, dass das Gerät nicht eingeschaltet weggelegt wird, wenn der Akku leer ist.
- Achten Sie darauf, dass das Gerät ausgeschaltet ist (Ein-/Ausschalter auf 0), wenn Sie es in die Ladestation stellen.

## 6. Was tun, wenn ...

---

### ... sich das Gerät nicht einschalten lässt?

- Ist der Akku leer? Schließen Sie das Steckernetzgerät der Ladestation an und laden Sie die Schermaschine auf.
- Ist der Scherkopf trocken? Der Scherkopf muss geölt werden. Gehen Sie vor, wie auf Seite 35 beschrieben.

### ... der Scherkopf "rupft"?

- Der Scherkopf muss geölt werden. Gehen Sie vor, wie auf Seite 35 beschrieben.

### ... beim Aufladen die Ladeanzeige nicht leuchtet?

- Reinigen Sie die Ladekontakte.
- Das Gerät steht eventuell nicht richtig auf der Ladestation. Positionieren Sie es richtig.
- Ist die Ladestation richtig angeschlossen?

### ... sich das Gerät von selbst abschaltet?

- Der Akku ist leer. Laden Sie die Schermaschine auf.

### ... sich der Akku nicht mehr aufladen lässt?

- Prüfen, ob der Ladeständer der Schermaschine HS60 verwendet wird, siehe Typenschild am Ladeständer. Dieser ist nicht mit der Schermaschine HS62 kompatibel
- Senden Sie das Gerät an Aesculap. Der Kundendienst baut einen neuen Akku ein und entsorgt den verbrauchten Akku umweltgerecht.

## 7. Entsorgung



Dieses Elektrogerät verfügt über einen fest eingebauten Akkumulator.

Li Ion



Das Produkt enthält elektronische Komponenten und / oder Batterien. Entsorgen Sie das Gerät nicht mit dem Hausmüll, sondern geben Sie es zur Wiederverwertung bei einer kommunalen Sammelstelle ab.

## 8. Technische Daten

Produkt	Exacta/Isis
Netzadapter	
Eingangsspannung	100-240 V ~ 50/60 Hz
Lautstärke	< 60 dB(A)
Schwingungsgesamtwert	ah < 2,5 m/s <sup>2</sup>
Aufsatz	1 Kammaufsatz
Abmessungen	140 x 30 x 36 mm
Gewicht	115 g



Technische Änderungen vorbehalten.

## 9. 2 Jahre Gewährleistung

---

Sehr geehrte Kundin, sehr geehrter Kunde,

herzlichen Dank, dass Sie sich für ein Produkt aus unserem Hause entschieden haben.

Der Name Aesculap steht seit Jahrzehnten für geprüfte Qualität und erstklassigen Service. Unseren Kunden bieten wir innovative und leistungsfähige Produkte.

Aesculap stellt hochwertige Geräte her und sichert Ihnen die Verwendung hochwertigen Materials und sorgfältiger Herstellung zu. Gerne möchten wir Sie darauf hinweisen, dass wir für Sachmängel unserer Produkte nicht haften, wenn diese durch unsachgemäßen Gebrauch, normalen Verschleiß oder dadurch entstehen, dass das Produkt unsachgemäß verwendet wird oder nicht passende oder nicht einwandfrei funktionierende Fremdprodukte eingesetzt werden.

Teile, die typischerweise dem Verschleiß unterliegen, und für die wir deshalb nicht haften, sind der Akku und der Scherkopf. Ebenfalls ausgenommen sind Sachmängel, die den Wert oder die Funktion nicht oder nur unerheblich beeinflussen.

Sollten wir im Rahmen unserer Gewährleistung haften, behalten wir uns vor, das Produkt zu reparieren oder auszutauschen.

### Service-Adressen

Albert Kerbl GmbH  
Felizenzell 9  
84428 Buchbach / Germany

Phone: +49 8086 933-100  
Fax: +49 8086 933-500  
E-Mail: [info@kerbl.com](mailto:info@kerbl.com)  
[www.kerbl.com](http://www.kerbl.com)

Weitere Service-Adressen erfahren Sie über die oben genannte Adresse.

## Sommaire

1.	Désignation des pièces .....	43
2.	Sécurité.....	43
2.1	Explication des termes.....	43
2.2	Utilisation conforme à l'usage .....	44
2.3	Avertissements importants .....	44
2.4	Consignes de sécurité générales.....	46
2.5	Sécurité durant le fonctionnement .....	47
3.	Préparation.....	49
3.1	Mise en charge.....	49
3.2	Rangement du câble de raccordement.....	50
3.3	Changer l'adaptateur secteur .....	51
4.	Utilisation.....	52
4.1	Mise en marche/arrêt .....	52
4.2	Guide de coupe .....	52
5.	Nettoyage et entretien .....	52
6.	Que faire si .....	55
7.	Evacuation .....	56
8.	Caractéristiques techniques .....	56
9.	2 ans de garantie.....	57



## Tous nos remerciements

pour l'achat de la **Exacta/Isis**, la tondeuse professionnelle de Aesculap.

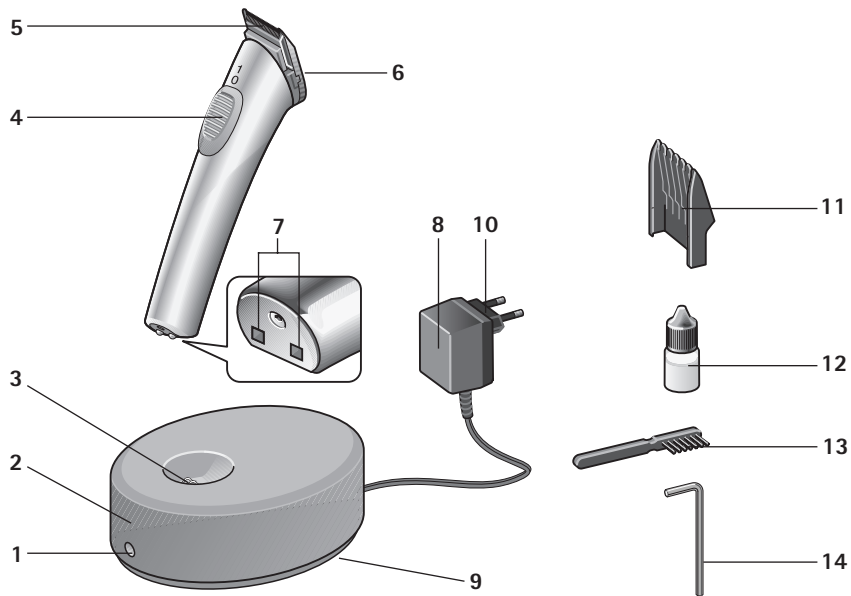
Elle correspond aux toutes dernières nouveautés techniques, est innovante et affiche un design moderne. La conception de la tondeuse a tenu compte des exigences que doit remplir une tondeuse professionnelle. La tondeuse est particulièrement adaptée pour couper de manière précise les contours des cheveux.

Outre des performances de coupe optimales, **Exacta/Isis** offre :

- un poids faible
- un moteur silencieux et à faibles vibrations
- une longue autonomie grâce à la batterie li-ion
- un réglage de la longueur de coupe à 4 niveaux avec sabot
- un compartiment à câble

Nous vous souhaitons beaucoup de plaisir à travailler avec cette tondeuse

Votre équipe  
Aesculap Suhl GmbH



## 1. Désignation des pièces

---

- 1 Voyant de charge
- 2 Chargeur
- 3 Contacts de charge
- 4 Interrupteur marche/arrêt
- 5 Tête du couteau
- 6 Vis de fixation tête du couteau
- 7 Contacts de charge de l'appareil
- 8 Alimentation enfichable
- 9 Enrouleur de câble
- 10 Adaptateur secteur
- 11 Guide de coupe
- 12 Flacon d'huile
- 13 Pinceau de nettoyage
- 14 Clé à six pans creux (dans le socle du chargeur)

## 2. Sécurité

---

Veillez lire attentivement la notice d'utilisation et en particulier le chapitre « Sécurité » **avant** d'utiliser la tondeuse. Vous vous protégerez ainsi d'éventuels dangers et vous éviterez toute détérioration de l'appareil due à une mauvaise utilisation.

Conservez cette notice d'utilisation pour pouvoir la relire ultérieurement. Si vous cédez l'appareil à un tiers, donnez-lui cette notice également.

### 2.1 Explication des termes

Vous rencontrerez les termes suivants dans la présente notice d'utilisation :



**DANGER**

**Risque important. Le nonrespect de l'avertissement peut provoquer des blessures graves.**



**AVERTISSEMENT**

**Risque moyen. Le non-respect de l'avertissement peut provoquer un dommage matériel.**

**REMARQUE**

*Risque faible. Remarques dont il faut tenir compte en maniant l'appareil.*

**2.2 Utilisation conforme à l'usage**

- La tondeuse est utilisée pour tondre les poils des petits animaux.
- L'appareil ne doit être utilisé qu'à l'intérieur ! Ne le mettez pas en service à l'extérieur du salon (jardin, terrasse, etc.) !
- L'appareil a été développé pour l'application dans des salons de soin et chez le vétérinaire. En tenant compte des consignes de sécurité, il est possible également d'utiliser l'appareil à la maison.

**2.3 Avertissements importants****Risque d'électrocution !**

- L'appareil ne doit jamais être utilisé ou rechargé dans la baignoire, la douche, au-dessus d'un lavabo ou d'un récipient rempli.



- Tenez l'appareil, la station de charge et le câble de raccordement à l'écart de l'humidité, de l'eau et des autres liquides et ne les utilisez pas avec les mains mouillées.

- Ne pas immerger l'appareil, la station de charge ou le câble de raccordement sous l'eau ou les rincer sous l'eau courante.
- Si l'appareil venait à tomber dans l'eau, il ne doit pas être réutilisé.
- L'intégration dans votre installation électrique d'un **dispositif de protection contre les courts-circuits** avec un courant nominal de déclenchement de 30 mA maximum fournira une protection supplémentaire. Nous vous recommandons de faire installer par un électricien un circuit de protection à déclenchement par courant de défaut afin de protéger les circuits électriques de votre salon.



AVERTISSEMENT

**En cas d'utilisation prolongée, la tête de lame peut devenir très chaude!**

**REMARQUE**

*La tondeuse à cheveux ne doit fonctionner qu'à l'aide du bloc d'alimentation correspondant aux caractéristiques mentionnées sur la plaque signalétique.*



DANGER



**Danger dû aux petites pièces qui peuvent être avalées !**

- Garder le couvercle de la bouteille d'huile hors de la portée des enfants de moins de 36 mois.

## 2.4 Consignes de sécurité générales




- Ne mettez jamais l'appareil en service lorsque :
  - l'appareil, la station de charge ou le câble de raccordement sont endommagés.
  - la tête du couteau est endommagée ou ébréchée, car elle risque de blesser la peau.
  - l'appareil est tombé, présente des dégâts visibles ou lorsque son fonctionnement est altéré.
  - l'appareil est tellement endommagé que des pièces électriques sont à nu.

Il faut dans tous les cas le débrancher immédiatement et informer le service technique après-vente !

- Vérifiez si la tension du secteur correspond à la tension indiquée sur la plaque signalétique.

- Cet appareil ne doit être utilisé qu'avec le bloc d'alimentation d'origine.

Si l'appareil porte le marquage  T10, il est possible d'utiliser les blocs d'alimentation de modèle T10.

Les tondeuses pour animaux ne peuvent être utilisées que par des personnes formées.

- Ne gardez pas l'appareil à portée de main des enfants.
- Tenez également à l'écart des enfants le matériel d'emballage, tels que les films protecteurs.
- Disposez le câble de raccordement de manière à ce que personne ne s'y prenne les pieds ou marche dessus !
- Protégez le câble de raccordement contre les dégradations. Ne tirez jamais sur le câble de raccordement. Maintenez la fiche secteur en la retirant de la prise de courant. Éloignez le câble des surfaces chaudes. Vérifiez régulièrement si le câble de raccordement présente des dégradations.
- Utiliser ou charger l'appareil uniquement entre 0 °C et 40 °C.
- Les réparations ne doivent être effectuées que par le service après-vente autorisé Aesculap afin d'éviter tout danger. Cela vaut également pour le remplacement de la batterie.
- La tête du couteau ne peut pas être démontée.

## 2.5 Sécurité durant le fonctionnement



**DANGER**

**Lorsque l'appareil est sous tension, ne pas toucher à la tête du couteau.**

- Pour garantir un fonctionnement parfait, la tête du couteau doit être régulièrement nettoyée et graissée aux endroits correspondants. (voir « Nettoyage et entretien » à la page 52).
- L'appareil doit être mis hors tension lorsque:
  - vous posez l'appareil, par ex. pour le recharger ou lorsque vous interrompez momentanément le processus de coupe.
  - vous placez ou enlevez le guide de coupe.
  - l'appareil doit être nettoyé ou graissé.
- Utilisez la tondeuse uniquement avec les accessoires d'origine (chargeur, guide de coupe, etc.).
- N'essayez jamais d'enlever de la poussière ou des corps étrangers de l'intérieur de l'appareil à l'aide d'objets pointus (par ex. un peigne à manche).

**REMARQUE**

*La sécurité des appareils électriques de Aesculap est conforme aux règles reconnues de la technique et à la législation relative à la sécurité.*

*La classe des voyants lumineux tels que des DEL ou une lumière infrarouge n'est pas supérieure à la classe laser 1 conformément à la norme IEC 825-1.*

*Selon le niveau actuel de la technique, les pièces d'appareils électrotechniques sont soumises dans une certaine mesure à une usure due au temps. Nous recommandons par conséquent de faire effectuer un contrôle régulier par le service technique après-vente de la société Aesculap Suhl GmbH afin de garantir un fonctionnement parfait et la sécurité.*

**Adresses de service**

Albert Kerbl GmbH  
Felizenzell 9  
84428 Buchbach / Germany

Phone: +49 8086 933-100  
Fax: +49 8086 933-500  
E-Mail: [info@kerbl.com](mailto:info@kerbl.com)  
[www.kerbl.com](http://www.kerbl.com)

Pour obtenir d'autres adresses de service, contactez l'adresse ci-dessus.



## 3. Préparation

### 3.1 Mise en charge

**Avant la première utilisation, il est recommandé de recharger l'appareil pendant 2 heures**

Avant de raccorder la tondeuse à une prise de courant, veuillez-vous assurer que la tension du secteur correspond à la tension indiquée sur la plaque signalétique. L'appareil ne peut pas recevoir une « charge excessive ».

#### REMARQUE

*Si vous utilisez également le modèle précédent HS61 en plus de la nouvelle tondeuse HS62, vous pouvez recharger le nouvel appareil dans l'ancienne station de charge (durée de charge 90 minutes) et/ou recharger l'ancien appareil HS61 dans la nouvelle station de charge (temps de charge 60 minutes).*

*La tondeuse de type HS60 peut également être chargée dans la station de charge du type HS62. Cependant, il n'est pas possible de charger un type HS62 dans la station de charge du type HS60.*



- Branchez l'alimentation enfichable **8** dans une prise de courant.
  - Posez le chargeur **2** sur une surface plane.
- Placez l'appareil dans la station de charge. Il se positionne tout seul et se recharge. Le témoin de charge vert **1** clignote toujours lorsque le courant de charge circule. Veillez à ce que le commutateur de mise en route/d'arrêt **4** se trouve sur 0 pendant la charge. La batterie est complètement chargée dès que le témoin de charge vert **1** reste allumé en permanence.

### 3.2 Rangement du câble de raccordement



Si vous n'avez pas besoin de toute la longueur du câble, vous pouvez dissimuler une partie du câble de raccordement autour de l'enrouleur de câble **9**.

- Débranchez le connecteur secteur.
- Tournez le chargeur.
- Enroulez le câble excédentaire autour du support du socle et guidez le câble vers l'extérieur par l'ouverture dans le boîtier.

### 3.3 Changer l'adaptateur secteur

L'appareil est fourni avec un adaptateur secteur **10**.



#### Risque d'électrocution !

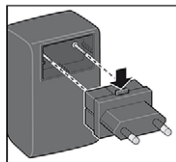
- Utilisez uniquement l'adaptateur secteur d'origine **10**.
- Retirez la fiche d'alimentation **8** de la prise avant de changer l'adaptateur secteur **10**.
- Assurez-vous que la fiche d'alimentation **8** ne puisse pas être rebranchée au secteur pendant le nettoyage.



AVERTISSEMENT

#### Endommagement de la fiche d'alimentation suite à une mauvaise manipulation !

- Veillez à ne pas tordre les petites broches de la fiche d'alimentation **8**.



➤ Appuyez sur le bouton de dégagement dans le sens de la flèche tout en débranchant l'adaptateur secteur **10** monté.

➤ Branchez l'adaptateur secteur **10** nécessaire dans la fiche d'alimentation **8**.  
Veillez à ce que le bouton de dégagement se trouve en haut et s'enclenche.

## 4. Utilisation

### 4.1 Mise en marche/arrêt



- Pour mettre l'appareil sous tension, poussez l'interrupteur marche/arrêt **4** vers l'avant.
- Pour mettre l'appareil hors tension, poussez l'interrupteur marche/arrêt sur la position **0**.

### 4.2 Guide de coupe



- Mettez la tondeuse hors tension et insérez le guide de coupe sur la tête du couteau jusqu'à ce qu'il s'enclenche.
- Vous pouvez ensuite continuer à couper les poils avec la tondeuse comme d'habitude.



- Le guide de coupe a 4 longueurs de coupe différentes (env. 3 à 6 mm). Pour cela, mettez la tête du couteau dans la position souhaitée.

La longueur de la coupe sera d'autant plus courte que vous poussez le guide de coupe plus loin.

## 5. Nettoyage et entretien

Pour garantir un fonctionnement parfait et un rendement optimal de votre tondeuse, nettoyez et graissez l'appareil régulièrement.

### Nettoyage de la tête du couteau



**AVERTISSEMENT**

**Tout démontage risque d'endommager la tête de coupe!**

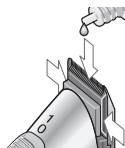
- Ne démonter en aucun cas la tête de coupe : il ne serait plus possible de la remonter ensuite.

En cas d'utilisation régulière, la tête du couteau **5** doit être nettoyée soigneusement **une fois par jour**.

- Mettez l'appareil hors tension.
- Le cas échéant, enlevez le guide de coupe.
- Enlevez les cheveux à l'aide du pinceau de nettoyage **12**.

### Graissage de la tête du couteau

Afin de garantir aussi longtemps que possible une bonne qualité de coupe de la tête du couteau, il est nécessaire de la graisser régulièrement - toutes les **10 minutes**.



- Le cas échéant, enlevez le guide de coupe.
- Huiler les endroits où la partie supérieure et la partie inférieure de la tête du couteau se touchent (voir illustration).

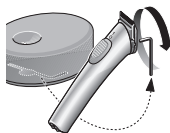
### Remplacement de la tête du couteau

La tête du couteau est une pièce d'usure. Même si elle est bien entretenue, elle finit par s'user. Remplacez alors la tête du couteau. La tête du couteau peut être commandée séparément comme pièce de rechange auprès du service après-vente de Aesculap (adresses à la fin de cette notice d'utilisation).



**Risque d'endommagement du boîtier lors du revissage de la tête de coupe!**

- Ne pas serrer la vis trop fermement.



- Assurez-vous que l'interrupteur marche/arrêt **4** soit sur la position « 0 ».
- Retirez la clé à six pans creux **13** du socle du chargeur pour dévisser la vis **6** de la tête du couteau.



- Dévissez complètement la vis et enlevez-la.
- Enlevez la tête du couteau en exerçant une pression vers le haut avec le pouce.
- Insérez la nouvelle tête du couteau jusqu'à ce qu'elle s'enclenche et vissez-la à fond.

Lors du remplacement de la tête du couteau, vous pouvez enlever les résidus de cheveux se trouvant dans l'appareil à l'aide du pinceau.

#### Nettoyage de l'appareil

- Essayez de temps en temps votre appareil avec un chiffon humide, séchez-le ensuite.

#### Nettoyage des contacts de charge

Lorsque les contacts de charge **7** sur l'appareil ou les contacts de charge **3** sur le chargeur sont encrassés, la mise en charge peut être interrompue ou entravée.

- Nettoyez les contacts à l'aide d'un coton-tige ou d'un chiffon imbibé d'alcool ou d'alcool à brûler.

**Lorsque la batterie est déchargée (arrêt du moteur), positionnez impérativement l'interrupteur marche/arrêt 4 sur « 0 » et posez l'appareil sur le chargeur.**

- Veillez à ce que l'appareil ne soit pas rangé sous tension lorsque la batterie est déchargée.
- Veillez à ce que l'appareil soit mis hors tension (interrupteur marche/arrêt en position « 0 »), lorsque vous le posez sur le chargeur.

## 6. Que faire si ...

---

### ... il est impossible de mettre l'appareil en marche ?

- La batterie est-elle déchargée ? Raccordez l'alimentation enfichable du chargeur et mettez la tondeuse en charge.
- La tête du couteau est-elle sèche ? La tête du couteau doit être graissée. Procédez comme décrit à la page 53.

### ... la tête du couteau « coince » ?

- La tête du couteau doit être graissée. Procédez comme décrit à la page 53.

### ... lorsque l'appareil est en charge, le voyant de charge ne s'allume pas ?

- Nettoyez les contacts de charge.
- L'appareil n'est peut-être pas posé correctement sur le chargeur. Positionnez-le correctement.
- Le chargeur est-il raccordé correctement ?

### ... l'appareil s'éteint automatiquement ?

- La batterie est déchargée. Mettez la tondeuse en charge.

➤

### .... la batterie ne recharge plus ?

- Vérifier si le support de charge utilisé est celui de la tondeuse HS60 (voir la plaque signalétique sur le support de charge). Celui-ci n'est pas compatible avec la tondeuse HS62.
- Si non, envoyez la machine au service de réparation Aesculap.

## 7. Evacuation



Cet appareil électrique possède un accumulateur installé en permanence.



Le produit contient des composants électroniques et/ou des piles. Ne jetez pas l'appareil avec les ordures ménagères, et retournez-le à un point de collecte municipal pour le recycler.

## 8. Caractéristiques techniques

Produit	Exacta/Isis
Adaptateur secteur	
Tension d'entrée	100-240 V ~ 50/60 Hz
Volume sonore	< 60 dB(A)
Valeur totale d'oscillation	ah < 2,5 m/s <sup>2</sup>
Guide	1 guide de coupe
Dimensions	140 x 30 x 36 mm
Poids	115 g



Sous réserves de modifications techniques.



## 9. 2 ans de garantie

---

Chère cliente, cher client,

Nous vous remercions d'avoir acheté l'un de nos produits.

La marque Aesculap est synonyme depuis des décennies de qualité contrôlée et de service remarquable. Nous offrons à nos clients des produits innovants et performants. Aesculap fabrique des appareils de qualité supérieure et vous garantit l'utilisation de matériaux de qualité supérieure ainsi qu'une fabrication soignée. Nous tenons à souligner que nous ne sommes pas responsables des défauts de nos produits s'ils résultent d'une utilisation incorrecte, d'une usure normale ou du fait que le produit est utilisé de manière inappropriée ou que des produits d'autres marques ne fonctionnant pas parfaitement ou non adéquats sont utilisés.

Les pièces qui subissent généralement une usure et pour lesquelles nous ne donnons donc pas de garantie sont l'accu et la tête de tonte. Les défauts qui n'influencent pas ou très peu la valeur ou le fonctionnement de l'appareil sont également exclus.

Si notre responsabilité est engagée dans le cadre de notre garantie, nous nous réservons le droit de réparer ou de remplacer le produit.

### Adresses de service

Albert Kerbl GmbH  
Felizenzell 9  
84428 Buchbach / Germany

Phone: +49 8086 933-100  
Fax: +49 8086 933-500  
E-Mail: [info@kerbl.com](mailto:info@kerbl.com)  
[www.kerbl.com](http://www.kerbl.com)

Pour obtenir d'autres adresses de service, contactez l'adresse ci-dessus.

## Índice

1.	Denominación de las piezas .....	61
2.	Seguridad .....	61
2.1	Explicación de definiciones.....	61
2.2	Uso conforme a lo previsto .....	62
2.3	Advertencias importantes .....	62
2.4	Instrucciones de uso generales .....	64
2.5	Seguridad durante el uso .....	65
3.	Preparación.....	67
3.1	Proceso de carga .....	67
3.2	Guardar el cable de conexión .....	68
3.3	Cambio del adaptador del enchufe de red ....	69
4.	Manejo .....	70
4.1	Conexión y desconexión .....	70
4.2	Peine guía.....	70
5.	Limpieza y cuidado .....	70
6.	¿Qué hacer cuando ... ..	73
7.	Eliminación de residuos.....	74
8.	Datos técnicos .....	74
9.	2 años de garantía.....	75

## Muchas gracias

por la compra de **Exacta/Isis**, la máquina profesional de Aesculap.

La máquina corresponde al estado más reciente de la técnica, es innovador y diseño vanguardista. En el desarrollo se tuvieron en cuenta las necesidades que se plantean hacia una máquina profesional.

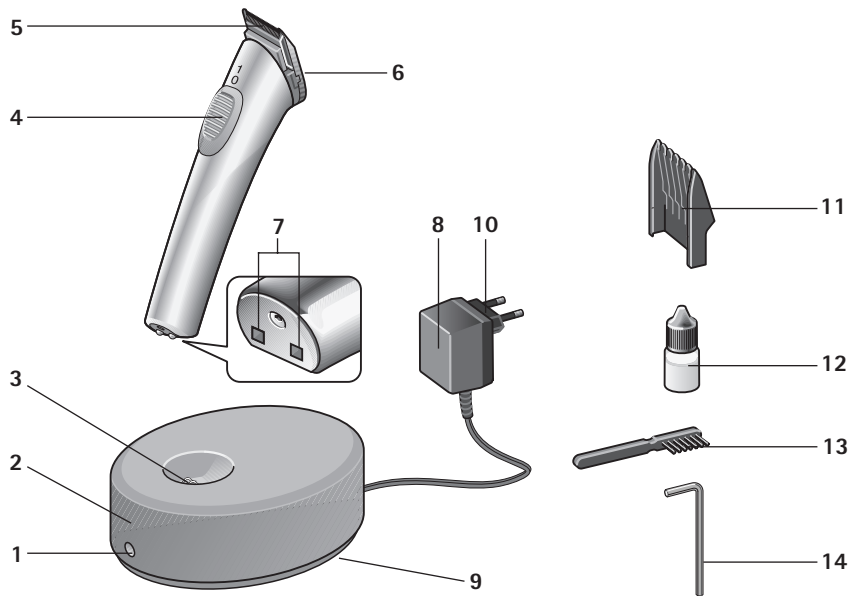
La máquina es particularmente apta para el corte preciso de contornos en el cabello.

Además de un corte excepcional, **Exacta/Isis** le ofrece:

- un bajo peso
- un motor silencioso y sin vibraciones
- una mayor autonomía gracias a la batería de iones de litio
- 4 niveles de ajuste de la longitud de corte con peine de corte
- guardacables

Esperamos disfrute mucho de su esquiladora.

Aesculap Suhl GmbH



## 1. Denominación de las piezas

---

- 1 Indicador de carga
- 2 Estación de carga
- 3 Contactos de carga
- 4 Interruptor Encendido/Apagado
- 5 Cabezal de corte
- 6 Tornillo de fijación cabezal de corte
- 7 Contactos de carga de la máquina
- 8 Bloque de alimentación enchufable
- 9 Depósito para el cable
- 10 Adaptador del enchufe de red
- 11 Peine guía
- 12 Frasco de aceite
- 13 Pincel de limpieza
- 14 Llave Allen (en la base de la estación de carga)

## 2. Seguridad

---

Sírvase leer atentamente las instrucciones de manejo, especialmente el capítulo "Seguridad", **antes** de poner en servicio la máquina. De este modo se protegerá contra posibles peligros y a la máquina contra daños por un manejo erróneo.

Conserve estas instrucciones de manejo para consultas posteriores. Si presta a la máquina a otras personas, entérgueles también las instrucciones de manejo.

### 2.1 Explicación de definiciones

En estas instrucciones de uso encontrará las siguientes definiciones:



**PELIGRO**

**Alto riesgo. Si no se tiene en cuenta la advertencia, pueden producirse graves lesiones.**



**ADVERTENCIA**

**Riesgo medio. Si no se tiene en cuenta la advertencia, la máquina puede averiarse.**

## NOTA

*Riesgo leve. Instrucciones que deben tenerse en cuenta al manejar la máquina.*

## 2.2 Uso conforme a lo previsto

- La esquiladora se utiliza para esquilarse animales pequeños.
- La máquina está prevista sólo para ser usada en recintos interiores. ¡No se debe poner en servicio en el exterior (jardín, terraza, etc.)!
- Esta máquina ha sido desarrollada para el uso profesional en los peluquerías de animales y en los consultorios veterinarios. Teniendo en cuenta las instrucciones de seguridad, también es posible su uso en el ámbito doméstico.

## 2.3 Advertencias importantes



### ¡Peligro de descarga eléctrica!

- La máquina no se debe manejar nunca en la bañera, en la ducha, encima de un lavabo lleno u otro recipiente.



- Mantenga el dispositivo, el cargador y el cable de conexión alejados de la humedad, agua y líquidos y no los manipule con las manos mojadas.

- No sumerja el dispositivo, el cargador ni el cable de conexión en agua ni los lave con agua corriente.
- En caso de que la máquina se hubiera caído al agua, no se permite volver a utilizarla.
- Puede conseguir una protección adicional instalando un **dispositivo de protección de corriente de defecto** con una intensidad de disparo nominal de menos de 30 mA en la instalación doméstica. Le recomendamos hacer asegurar los circuitos por su electricista mediante un circuito protector de FI.



ADVERTENCIA

**Tras un uso prolongado, podría calentarse el cabezal de afeitado.**

#### IMPORTANTE

*La máquina cortapelo solo se puede utilizar con una fuente de alimentación conforme a los datos indicados en la placa de características.*



PELIGRO



**Peligro por piezas que puedan ser ingeridas.**

- Mantener el tapón de la botella de aceite alejada de los niños menores de 36 meses.

## 2.4 Instrucciones de uso generales




**PELIGRO**

- Nunca emplee el dispositivo si:
  - el dispositivo, el cargador o el cable de conexión están dañados.
  - el cabezal de corte está defectuoso o roto, dado que se pueden producir lesiones en la piel.
  - la máquina se ha caído, muestra daños visibles o el funcionamiento está limitado.
  - la máquina está tan dañada que hay elementos eléctricos al descubierto.

En tal caso, desconéctela enseguida de la red eléctrica e informe al Servicio postventa.

- Compruebe si la tensión de red coincide con la tensión indicada en la placa de características.

- Emplear el dispositivo solo con la fuente de alimentación original.

Si el dispositivo tiene la marca  T10, se puede emplear cualquier fuente de alimentación del modelo T10.

Solo las personas instruidas podrán emplear las esquiladoras para animales.



- Guarde la máquina fuera del alcance de los niños.
- Asimismo, mantenga apartado de los niños el material de embalaje, como, p. ej., las hojas.
- Coloque el cable de conexión de forma que nadie pueda tropezarse ni pisarlo.
- Proteja el cable de conexión de posibles daños. No tire nunca del cable de conexión. No toque nunca el adaptador de CA al sacarlo del enchufe. Mantenga el cable alejado de superficies calientes. Compruebe regularmente que el cable de conexión no presenta daños.
- Emplee o almacene el dispositivo solo a una temperatura de entre 0 °C y 40 °C grados.
- Para evitar peligros, las reparaciones deben ser realizadas únicamente por el Servicio postventa autorizado de Aesculap. Lo anterior vale también cuando es necesario cambiar la batería.
- No se permite desmontar el cabezal de corte.

## 2.5 Seguridad durante el uso



**PELIGRO**

**No toque ni introduzca las manos en el cabezal de corte cuando la máquina está funcionando.**

- Para un perfecto funcionamiento, el cabezal de corte debe limpiarse regularmente y lubricarse en los correspondientes puntos (ver "Limpieza y cuidado" en página 70).
- La máquina tiene que estar desconectada cuando:
  - deposita la máquina, p. ej. para cargarlo o interrumpir brevemente el proceso de corte.
  - enchufa o quita el peine guía.
  - se tiene que limpiar o lubricar la máquina.
- Utilice máquina sólo junto con los accesorios originales (estación de carga, peine guía, etc.).
- No intente nunca retirar el polvo u objetos que hayan caído dentro de la máquina utilizando objetos puntiagudos (un peine de mango, por ejemplo).

## NOTA

*La seguridad de las máquinas eléctricas Aesculap satisface las estipulaciones de las normas técnicas y de la legislación sobre seguridad de máquinas.*

*Los indicadores luminosos, tales como LED o luz infrarrojo, no sobrepasan la clase de láser 1 según IEC 825-1.*

*Conforme al estado actual de la técnica, las piezas de las máquinas electrotécnicas sufren cierto desgaste con el tiempo. Para lograr un funcionamiento y una seguridad perfectos, recomendamos someter la máquina a una revisión periódica efectuada por nuestro Servicio postventa de Aesculap Suhl GmbH.*

## Direcciones de servicio

Albert Kerbl GmbH  
Felizenzell 9  
84428 Buchbach / Germany

Phone: +49 8086 933-100  
Fax: +49 8086 933-500  
E-Mail: [info@kerbl.com](mailto:info@kerbl.com)  
[www.kerbl.com](http://www.kerbl.com)

Las direcciones de servicio restantes puede enterar a través de la dirección mencionada arriba.

## 3. Preparación

### 3.1 Proceso de carga

**Antes del primer uso, el dispositivo se debe cargar durante 2 horas.**

Antes de conectar la máquina a una caja de enchufe, cerciórese de que la tensión de la red corresponda a la tensión indicada en la placa de características.

No es posible "sobrecargar" la máquina.

#### NOTA

*Si emplea, además de la nueva esquiladora tipo HS62, el modelo anterior tipo HS61, puede cargar el nuevo dispositivo en el cargador antiguo (tiempo de carga 90 min) o bien cargar el dispositivo antiguo tipo HS61 en el nuevo cargador (tiempo de carga 60 min.).*

*La esquiladora tipo HS60 se puede cargar también en el cargador del tipo HS62. No obstante, no es posible cargar el tipo HS62 en el cargador del tipo HS60.*



- Enchufe el bloque de alimentación enchufable **8** en una toma de corriente.
- Coloque la estación de carga **2** en una superficie plana.
- Coloque el dispositivo en el cargador. Se acoplará solo y se cargará. El indicador de carga verde **1** parpadea siempre que hay corriente de carga. Compruebe que el interruptor on/off **4** esté en 0 durante la carga. La batería estará completamente cargada cuando se ilumine de forma fija el indicador de carga verde **1**.

### 3.2 Guardar el cable de conexión



Si no necesita toda la longitud del cable, se puede guardar una parte del cable de conexión en el depósito de cable **9**.

- Saque el enchufe de la caja de enchufe.
- Gire la estación de carga.
- Enrolle el cable que sobra alrededor del soporte en la base e introdúzcalo a través de la pequeña escotadura en la carcasa hacia el exterior.

### 3.3 Cambio del adaptador del enchufe de red

El equipo se suministra con un adaptador del enchufe de red **10**.



**PELIGRO**

#### **Peligro de lesiones por descarga eléctrica.**

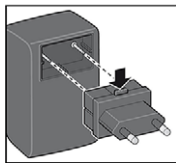
- Utilice exclusivamente los adaptadores del enchufe de red **10** originales.
- Saque el adaptador de CA **8** de la toma antes de sustituir el adaptador del enchufe de red **10**.
- Asegúrese de que no se pueda volver a introducir el adaptador de CA **8** durante la limpieza.



**ADVERTENCIA**

#### **Pueden producirse daños en el adaptador de CA por un uso inadecuado.**

- Asegúrese de no doblar ningún pin del adaptador de CA **8**.



➤ Presione el pulsador de desbloqueo en la dirección de la flecha mientras saca el adaptador del enchufe de red **10** montado.

➤ Introduzca el adaptador del enchufe de red **10** adecuado en el adaptador de CA **8**.

Asegúrese de que el pulsador de desbloqueo quede arriba y que se encaje.

## 4. Manejo

### 4.1 Conexión y desconexión



- Para conectar la máquina, deslice el interruptor Encendido/Apagado **4** hacia delante.
- Para desconectar la máquina, deslice el interruptor Encendido/Apagado a la posición **0**.

### 4.2 Peine guía



- Desconecte máquina y empuje el peine guía sobre el cabezal de corte hasta que enclave.
- A continuación, puede cortar como siempre los cabellos de animales pequeños con la máquina.



- El peine guía se puede ajustar a 4 distintas longitudes de corte (aprox. 3 a 6 mm). Para este fin, deslícelo en el cabezal de corte a la posición deseada.

Cuanto más se introduzca el peine guía, menor es la longitud de corte.

## 5. Limpieza y cuidado

Para asegurar el perfecto funcionamiento y el pleno rendimiento de su máquina, limpie y lubrique la máquina regularmente.

### Limpieza del cabezal de corte



**ADVERTENCIA**

**Podrían producirse daños en el cabezal de corte si este se desmonta.**

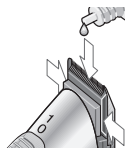
- No desmonte de ningún modo el cabezal de corte, ya que no será posible volver a montarlo posteriormente.

En caso de uso regular, el cabezal de corte se debería limpiar a fondo **5 una vez al día**.

- Desconecte la máquina.
- Retire el peine guía.
- Elimine el cabello con el pincel de limpieza **12**.

### Lubricación del cabezal de corte

Para conservar durante el máximo de tiempo posible el buen rendimiento de corte del cabezal de corte, éste se tiene que lubricar regularmente, **cada 10 minutos**.



- En su caso, retire el peine guía.
- Aplique aceite en las zonas de contacto de las partes superior e inferior del cabezal de corte (ver figura).

### Cambio del cabezal de corte

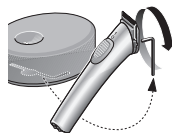
El cabezal de corte es una pieza de desgaste. A pesar de un buen mantenimiento, el rendimiento de corte se irá reduciendo con el tiempo. Entonces, cambie el cabezal de corte. El cabezal de corte se puede pedir por separado como pieza de recambio al Servicio postventa de Aesculap (direcciones al final de estas instrucciones).



**ADVERTENCIA**

**Al atornillar el cabezal, puede dañarse la carcasa.**

- No apretar el tornillo demasiado fuerte.



- Cerciórese de que el interruptor Encendido/Apagado **4** se encuentra en la posición **0**.
- Retire la llave Allen **13** de la base de la estación de carga para soltar el tornillo **6** del cabezal de corte.
- Desenrosque el tornillo por completo y retírelo.
- Expulse el cabezal de corte con el pulgar hacia arriba.
- A continuación, coloque el nuevo cabezal de corte, presiónelo hasta que encaje y fíjelo con el tornillo.

**Al cambiar el cabezal de corte, puede eliminar los restos de pelo en el interior con la ayuda de un pincel.**

### **Limpieza de la máquina**

- Frote su máquina de vez en cuando con un paño humedecido y séquelo a continuación.

### **Limpieza de los contactos de carga**

Si los contactos de carga **7** en la máquina o los contactos de carga **3** en la estación de carga están sucios, el proceso de carga se puede ver interrumpido u obstaculizado.

- Limpie los contactos con algodón o un paño empapado en alcohol.

**Cuando la batería está descargada (parada del motor), coloque siempre el interruptor Encendido/Apagado en la posición 0 y coloque la máquina en la estación de carga.**

- Asegúrese de que la máquina no se guarda en estado conectado cuando la batería está descargada.
- Preste atención a que la máquina esté desconectada (interruptor Encendido/Apagado en la posición 0) al colocarlo en la estación de carga.



## 6. ¿Qué hacer cuando ...

---

### ... la máquina no se enciende?

- ¿Está descargada la batería? Conecte el bloque de alimentación enchufable de la estación de carga y cargue la máquina.
- ¿...el cabezal de corte está seco? Se tiene que lubricar el cabezal de corte. Proceda de la manera descrita en la página 71.

### ... el cabezal de corte "tira"?

- Se tiene que lubricar el cabezal de corte. Proceda de la manera descrita en la página 71.

### ...el indicador de carga no se enciende durante la carga?

- Limpie los contactos de carga.
- Es posible que la máquina no esté posicionada correctamente en la estación de carga. Posiciónela correctamente.
- Verifique si la estación de carga está conectada correctamente.

### ... la máquina se desconecta solo?

- La batería está descargada. Cargue la máquina.

### ... la batería ya no se puede recargar?

- Compruebe que no está utilizando el cargador de la esquiladora HS60. Consulte la placa de características del cargador. Este no es compatible con la esquiladora HS62.
- En caso negativo, envíe la máquina al servicio de reparación de Aesculap.

## 7. Eliminación de residuos



Este dispositivo electrónico dispone de un acumulador incorporado de forma fija.



El producto incluye componentes electrónicos y baterías. No deseche el dispositivo en la basura convencional. Deberá llevarlo a un punto de verde para su reutilización.

## 8. Datos técnicos

Producto	Exacta/Isis
Adaptador de red	
Tensión de entrada	100-240 V ~ 50/60 Hz
Volumen	< 60 dB(A)
Valor global de vibraciones	ah = 2,5 m/s <sup>2</sup>
Accesorio	1 peine guía
Dimensiones	140 x 30 x 36 mm
Peso	115 g



Sujeto a modificaciones técnicas.

## 9. 2 años de garantía

---

Apreciado cliente, apreciada clienta:

Le damos las gracias por haber elegido un producto de nuestra casa.

Ya desde hace varias décadas, se asocia la marca Aesculap con productos de acreditada calidad y con un excelente servicio técnico. Ofrecemos a nuestros clientes productos innovadores y con elevadas prestaciones. Aesculap fabrica aparatos de primera calidad y le garantiza el empleo de materiales de alta calidad, así como un proceso de producción impecable. Nos gustaría indicar asimismo que no respondemos de los defectos materiales de nuestros productos cuando se derivan de un uso inadecuado, del desgaste natural del producto o de sus consecuencias, ni cuando no se utilice el producto debidamente ni cuando se use con productos de terceros que sean inapropiados o no funcionen correctamente.

Las piezas que, por lo general, se desgastan son el cabezal de corte y la batería y, por lo tanto, no respondemos de ellas. Asimismo, quedan excluidos aquellos defectos que no afectan o sólo afectan de forma insignificante al valor o la función del producto.

En el caso de responder en el ámbito de nuestra garantía, nos reservamos el derecho de reparar o sustituir el producto.

### Direcciones de servicio

Albert Kerbl GmbH  
Felizenzell 9  
84428 Buchbach / Germany

Phone: +49 8086 933-100  
Fax: +49 8086 933-500  
E-Mail: [info@kerbl.com](mailto:info@kerbl.com)  
[www.kerbl.com](http://www.kerbl.com)

Las direcciones de servicio restantes puede enterar a través de la dirección mencionada arriba.

## Indice

1.	Denominazione dei componenti . . . . .	79
2.	Sicurezza. . . . .	79
2.1	Spiegazione dei termini. . . . .	79
2.2	Utilizzo corretto. . . . .	80
2.3	Importanti indicazioni di pericolo . . . . .	80
2.4	Indicazioni generali di sicurezza. . . . .	82
2.5	Sicurezza durante il funzionamento. . . . .	83
3.	Preparazione. . . . .	85
3.1	Processo di caricamento . . . . .	85
3.2	Stivaggio del cavo di collegamento . . . . .	86
3.3	Sostituzione dell'adattatore per spina . . . . .	87
4.	Uso . . . . .	88
4.1	Accensione e spegnimento . . . . .	88
4.2	Rialzo a pettine . . . . .	88
5.	Pulizia e manutenzione . . . . .	88
6.	Cosa fare quando... . . . .	91
7.	Smaltimento. . . . .	92
8.	Specifiche tecniche . . . . .	92
9.	Garanzia di 2 anni . . . . .	93

## Vi ringraziamo vivamente

di avere acquistato **Exacta/Isis**, la tosatrice professionale di Aesculap.

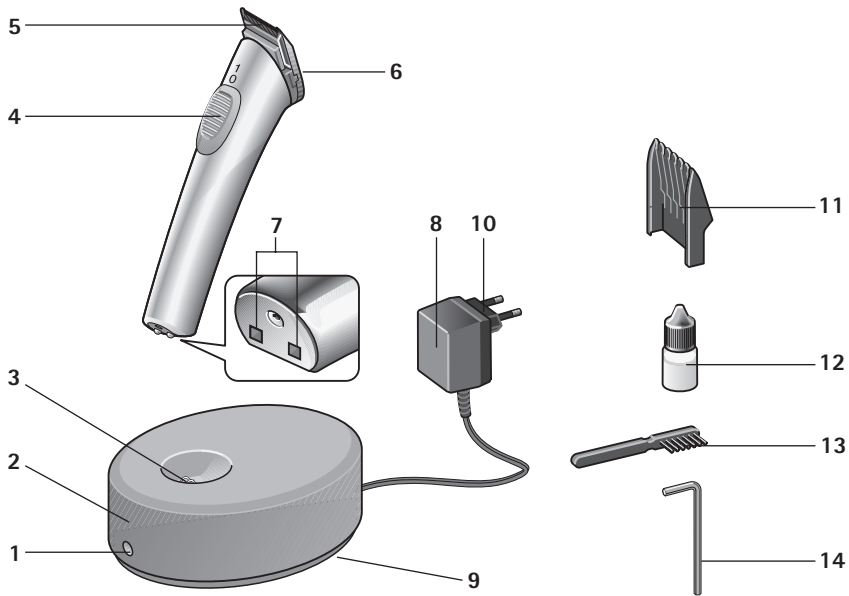
È conforme al più recente stato della tecnica, è innovativo e orientato verso il design. Durante la progettazione della tosatrice sono stati presi in considerazione i requisiti richiesti ad una tosatrice professionale. La tosatrice particolarmente adatto al taglio preciso dei contorni della capigliatura.

Oltre alle ottime prestazioni di taglio, **Exacta/Isis** offre:

- peso ridotto
- motore silenzioso a bassa vibrazione
- batteria Li-Ion a lunga durata
- regolazione della lunghezza di taglio a 4 livelli con rialzo a pettine
- vano portacavo

Vi auguriamo buon lavoro con la tosatrice.

La vostra  
Aesculap Suhl GmbH



## 1. Denominazione dei componenti

---

- 1 Indicatore di carica
- 2 Stazione di caricamento
- 3 Contatti di caricamento
- 4 Interruttore ON/OFF
- 5 Testina di taglio
- 6 Vite di fissaggio testina di taglio
- 7 Contatti di caricamento dell'apparecchio
- 8 Alimentatore a spina
- 9 Vano portacavi
- 10 Adattatore per spina
- 11 Rialzo a pettine
- 12 Flacone d'olio
- 13 Spazzolino di pulizia
- 14 Chiave per viti a esagono cavo (sul fondo de la stazione di caricamento)

## 2. Sicurezza

---

Leggete attentamente le istruzioni per l'uso e in particolare il capitolo "Sicurezza" **prima** di usare la tosatrice. In questo modo proteggerete la vostra incolumità nei confronti di possibili pericoli, nonché il dispositivo contro danneggiamenti dovuti a usi errati.

Conservate le presenti istruzioni per l'uso per la consultazione futura. In caso di cessione dell'apparecchio, consegnate anche le presenti istruzioni per l'uso.

### 2.1 Spiegazione dei termini

All'interno di queste istruzioni per l'uso vengono utilizzati i seguenti termini:



**PERICOLO**

**Rischio elevato. La mancata osservanza di questa avvertenza può essere causa di gravi lesioni.**



**AVVERTENZA**

**Rischio medio. La mancata osservanza di questa avvertenza può essere causa di danni materiali.**

**NOTA**

*Rischio ridotto. Si tratta di indicazioni da osservare durante il maneggiamento dell'apparecchio.*

**2.2 Utilizzo corretto**

- La tosatrice va utilizzata per tosare piccoli animali.
- L'apparecchio è idoneo solo per l'uso in ambienti chiusi! Non utilizzate l'apparecchio all'aria aperta (giardini, terrazzi, ecc.)!
- L'apparecchio è stato concepito per l'utilizzo professionale nei saloni grooming e negli studi veterinari. Rispettando le indicazioni di sicurezza potete utilizzare l'apparecchio anche in ambito domestico.

**2.3 Importanti indicazioni di pericolo****Pericolo di scossa elettrica!**

- L'apparecchio non deve mai essere caricato o utilizzato nella vasca, nella doccia o sopra un lavello/recipiente simile riempito d'acqua.
- Tenere l'apparecchio, la stazione di ricarica e il cavo di collegamento lontani da umidità, acqua e altri liquidi e non utilizzarlo con le mani bagnate.



- Non immergere in acqua e non risciacquare sotto acqua corrente l'apparecchio, la stazione di ricarica e il cavo di collegamento.
- Qualora l'apparecchio dovesse cadere in acqua, non riutilizzatelo.
- Il montaggio nell'impianto interno di un **dispositivo di protezione contro la corrente di guasto** con una corrente di interruzione nominale inferiore a 30 mA offre una protezione supplementare. Consigliamo di far proteggere i circuiti elettrici dal vostro elettricista con un circuito di protezione contro le correnti di guasto.



AVVERTENZA

**La testa di taglio può  
surriscaldarsi dopo un uso  
intenso!**

**NOTA**

*La tosatrice può essere azionata solo con un alimentatore conforme ai dati riportati sulla targhetta.*

**Pericolo dovuto a parti ingeribili!**

- Tenere il coperchio del flacone di olio lontano dalla portata di bambini di età inferiore a 36 mesi.


## 2.4 Indicazioni generali di sicurezza



- Non mettete mai in funzione l'apparecchio se:
  - l'apparecchio, la stazione di ricarica e il cavo di collegamento sono danneggiati.
  - la testina di taglio è danneggiata o rotta, in quanto può causare lesioni sulla cute.
  - l'apparecchio è caduto, presenta danneggiamenti visibili o il suo funzionamento è limitato.
  - l'apparecchio è talmente danneggiato da presentare parti elettriche scoperte.

In ogni caso, staccate immediatamente l'apparecchio dall'alimentazione di rete ed informate il Servizio di Assistenza Tecnica!

- Verificate che la tensione di rete corrisponda a quella indicata sulla targhetta di omologazione.
- Utilizzare il dispositivo solo con il suo alimentatore originale.

Se il dispositivo ha il marchio  T10 sarà possibile utilizzare qualsiasi alimentatore del modello T10.

Le tosatrici per animali vanno utilizzate esclusivamente da persone addestrate all'uso.

- Sorvegliate i bambini per assicurarvi che non giochino con l'apparecchio. Fare attenzione che i bambini non possano ferirsi con la testina di tosatura. Tenete l'apparecchio al di fuori della portata dei bambini.
- Anche il materiale d'imballaggio, come ad es. le pellicole, deve essere tenuto lontano dalla portata dei bambini.
- Posizionare il cavo di collegamento in modo che nessuno possa inciamparvi o calpestarlo.
- Proteggere il cavo di collegamento da possibili danni. Non tirare mai il cavo di collegamento. Afferrare l'alimentatore per estrarlo dalla presa elettrica. Tenere il cavo lontano da superfici molto calde. Esaminare regolarmente il cavo di collegamento per individuare eventuali danni.
- L'apparecchio va utilizzato o caricato esclusivamente a temperature comprese tra 0 e 40 °C.
- Per evitare rischi, le riparazioni devono essere effettuate solo da personale autorizzato Aesculap. Questo vale anche per la sostituzione della batteria.
- La testina di taglio non deve essere smontata.

## 2.5 Sicurezza durante il funzionamento



### PERICOLO

**Non toccare la testina di tosatura ad apparecchio acceso.**

- Per un funzionamento ottimale, la testina di taglio deve essere pulita regolarmente e lubrificata nei relativi punti (ved. "Pulizia e manutenzione" a pagina 88)
- Spegnete l'apparecchio quando:
  - riponete l'apparecchio, ad es. per caricarlo o per interrompere brevemente la procedura di taglio;
  - inserite o estraete il rialzo;
  - l'apparecchio deve essere pulito o lubrificato.
- Utilizzate la tosatrice solo unitamente agli accessori originali (stazione di caricamento, rialzo, ecc.).
- Non tentate mai di rimuovere polvere o corpi estranei dall'interno dell'apparecchio con oggetti appuntiti (ad es. con un pettine con manico).

**NOTA**

*La sicurezza degli apparecchi elettrici Aesculap è conforme alle regole della tecnica riconosciute e alla legge sulla sicurezza degli apparecchi.*

*Gli indicatori luminosi come LED o gli indicatori a raggi infrarossi non superano la classe laser 1 secondo IEC 825-1.*

*Secondo l'attuale stato della tecnica, alcuni componenti di apparecchi elettrotecnici sono soggetti in determinata misura ad un processo di usura dovuto al tempo. Per garantire un funzionamento ottimale e in sicurezza, consigliamo pertanto di far eseguire un controllo periodico da parte del Servizio di Assistenza Tecnica di Aesculap Suhl GmbH.*

**Indirizzo d'assistenza**

Albert Kerbl GmbH  
Felizenzell 9  
84428 Buchbach / Germany

Phone: +49 8086 933-100

Fax: +49 8086 933-500

E-Mail: [info@kerbl.com](mailto:info@kerbl.com)

[www.kerbl.com](http://www.kerbl.com)

Gli altri indirizzi dell'assistenza possono essere richiesti all'indirizzo predetto.

## 3. Preparazione

### 3.1 Processo di caricamento

**Prima del primo utilizzo, l'apparecchio va caricato per 2 ore.**

Prima di collegare la tosatrice ad una presa di alimentazione elettrica, assicuratevi che la tensione di rete corrisponda a quella indicata sulla targhetta.

Un "sovraccaricamento" dell'apparecchio non è possibile.

#### NOTA

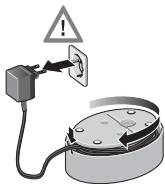
*Se oltre alla nuova tosatrice tipo HS62 si utilizza anche il modello precedente tipo HS61, è possibile caricare il nuovo apparecchio nella vecchia stazione di ricarica (tempo di ricarica 90 minuti) e/o caricare il vecchio apparecchio tipo HS61 nella nuova stazione di ricarica (tempo di ricarica 60 minuti).*

*Inoltre, la tosatrice tipo HS60 può essere ricaricata anche nella stazione di ricarica di quella di tipo HS62. Tuttavia, non è possibile ricaricare la tosatrice tipo HS62 nella stazione di ricarica di quella di tipo HS60.*



- Inserite l'alimentatore a spina **8** in una presa.
  - Collocate la stazione di caricamento **2** su una superficie piana.
- Collocare l'apparecchio nella stazione di ricarica. Esso si posiziona autonomamente e viene ricaricato. L'indicatore di ricarica verde **1** lampeggia in continuazione durante la ricarica. Accertarsi che l'interruttore **4** sia posizionato su 0 durante la ricarica. Quando l'indicatore di ricarica verde **1** smette di lampeggiare, la batteria è carica.

### 3.2 Stivaggio del cavo di collegamento



Se non si necessita della lunghezza completa del cavo, è possibile riporre parte del cavo di collegamento nel vano portacavo **9**.

- Staccate la spina.
- Ruotate la stazione di caricamento.
- Avvolgete il cavo in eccesso attorno al supporto posto sul fondo dell'apparecchio avendo cura di farlo passare e fuoriuscire attraverso il piccolo recesso previsto nell'alloggiamento.

### 3.3 Sostituzione dell'adattatore per spina

L'apparecchio viene fornito con un adattatore per spina **10**.



**PERICOLO**

#### **Pericolo di folgorazione!**

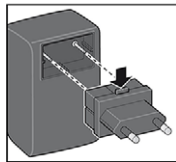
- Utilizzare esclusivamente gli adattatori per spina originali **10**.
- Estrarre il dispositivo di alimentazione **8** dalla presa, prima di sostituire l'adattatore per spina **10**.
- Assicurarsi che durante il lavaggio il dispositivo di alimentazione **8** non possa essere reinserito.



**AVVERTENZA**

#### **Danni al dispositivo di alimentazione in seguito a uso scorretto!**

- Fare attenzione a non deformare i piccoli pin sul dispositivo di alimentazione **8**.



➤ Premere il tasto di sblocco in direzione della freccia e contemporaneamente sfilare l'adattatore per spina **10** montato.

➤ Infilare l'adattatore per spina **10** necessario nel dispositivo di alimentazione **8**.

Assicurarsi che il tasto di sblocco si trovi in alto e scatti in posizione.

## 4. Uso

---

### 4.1 Accensione e spegnimento



- Per accendere l'apparecchio, spostate l'interruttore On/Off **4** in avanti.
- Per spegnere l'apparecchio, spostate l'interruttore On/Off in posizione **0**.

### 4.2 Rialzo a pettine



- Spegnete la tosatrice ed inserite il rialzo sulla testina di taglio fino a quando si incastra.
- Dopo di che, con la tosatrice è possibile tosare i peli dei piccoli animali come di consueto.



- Il rialzo può essere regolato su 4 diverse lunghezze di taglio (da 3 a 6 mm circa). Inserite il rialzo sulla testina di taglio collocandolo nella posizione desiderata

Più avanti viene inserito il rialzo, minore sarà la lunghezza di taglio.

## 5. Pulizia e manutenzione

---

Per garantire il funzionamento ottimale e il massimo rendimento della tosatrice, pulite e lubrificate l'apparecchio regolarmente.

### Pulizia della testina di taglio



#### **Danneggiamento della testina di taglio durante lo smontaggio!**

- Non smontare mai la s.o. Non sarà più possibile eseguire un successivo montaggio.

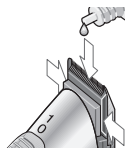


In caso d'uso regolare, la testina di taglio **5** dovrebbe essere pulita a fondo **una volta al giorno**.

- Spegnete l'apparecchio.
- Rimuovete il rialzo (se presente).
- Eliminate i capelli con lo spazzolino di pulizia **12**.

### Lubrificazione della testina di taglio

Per preservare il più a lungo possibile la buona prestazione di tosatura della testina, quest'ultima deve essere lubrificata regolarmente - ogni **10 minuti**.



- Rimuovete il rialzo (se presente).
- Oliare i punti in cui la parte superiore ed inferiore della testina di tosatura si toccano (vedere la figura).

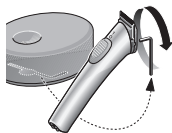
### Sostituzione della testina di taglio

La testina di taglio è un componente soggetto a usura. Nonostante una buona manutenzione, la potenza di taglio tende a diminuire. Una volta esaurita la potenza di taglio, sostituite la testina di tosatura. La testina di taglio può essere ordinata come parte di ricambio presso il Servizio di Assistenza Tecnica Aesculap (indirizzi riportati alla fine delle presenti istruzioni).



**Durante l'avvitamento della testina di taglio potrebbero verificarsi danni alla custodia!**

- Evitare di serrare troppo saldamente la vite.



- Assicuratevi che l'interruttore On/Off **4** si trovi in posizione "0".
- Prendete la chiave per viti a esagono cavo **13** dal fondo della stazione di caricamento per allentare la vite **6** della testina di taglio.
- Allentate la vite completamente ed estraetela.
- Con il pollice, spingete la testina di tosatura verso l'alto.
- Inserite la nuova testina di tosatura fino a quando si incastra ed avvitatela.



**Durante la sostituzione della testina di taglio, potete rimuovere i residui di capelli nel vano cavo per mezzo dello spazzolino.**

#### **Pulizia dell'apparecchio**

- Pulite l'apparecchio di tanto in tanto con un panno inumidito e successivamente asciugatelo.

#### **Pulizia dei contatti di caricamento**

Quando i contatti di caricamento **7** sull'apparecchio o i contatti di caricamento **3** sulla stazione di caricamento sono sporchi, il processo di caricamento può essere interrotto o ostacolato.

- Pulite i contatti con un batuffolo di ovatta o uno straccio inumidito in alcool o disinfettante.

**Quando la batteria è scarica (arresto del motore) portate l'interruttore On/Off 4 su 0 e sistemate l'apparecchio sulla stazione di caricamento.**

- Quando la batteria è scarica, assicuratevi che l'apparecchio **non** venga riposto mentre è ancora acceso.
- Quando sistemate l'apparecchio sulla stazione di caricamento, assicuratevi che l'apparecchio sia spento (interruttore On/Off su 0).

## 6. Cosa fare quando...

---

### ... l'apparecchio non si accende?

- La batteria è scarica? Collegare l'alimentatore a spina della stazione di caricamento e caricare la tosatrice.
- La testina di taglio risulta asciutta? La testina di taglio deve essere lubrificata. Procedete come descritto a pagina 89.

### ... la testina di taglio "strappa"?

- La testina di taglio deve essere lubrificata. Procedete come descritto a pagina 89.

### ... durante il caricamento il relativo indicatore non si accende?

- Pulite i contatti di caricamento.
- Forse l'apparecchio non è collocato correttamente sulla stazione di caricamento. Posizionalo correttamente.
- La stazione di caricamento è collegata correttamente?

### ... l'apparecchio si spegne da solo?

- La batteria è scarica. Caricate la tosatrice.

### ... non è più possibile ricaricare la batteria?

- Controllare la targhetta della stazione di ricarica per assicurarsi di non utilizzare la stazione di ricarica della tosatrice HS60 che non è compatibile con la tosatrice HS62.
- In caso contrario spedire la macchina al servizio di riparazione Aesculap.

## 7. Smaltimento



Questo apparecchio elettrico è dotato di un accumulatore incorporato.



Il prodotto contiene componenti elettronici e/o batterie. Non smaltire l'apparecchio con i normali rifiuti domestici, ma portarlo in una piazzola ecologica comunale perché venga riciclato.

## 8. Specifiche tecniche

Prodotto	Exacta/Isis
Adattatore di rete	
Tensione in ingresso	100-240 V ~ 50/60 Hz
Volume	< 60 dB(A)
Valore totale di vibrazioni	ah < 2,5 m/s <sup>2</sup>
Rialzi	1 rialzo a pettine
Dimensioni	140 x 30 x 36 mm
Peso	115 g



Con riserva di modifiche tecniche.

## 9. Garanzia di 2 anni

---

Gentile cliente,  
molte grazie per aver scelto un prodotto della nostra azienda.

Il nome Aesculap è da decenni sinonimo di qualità controllata e servizio di altissimo livello. Ai nostri clienti offriamo prodotti innovativi e potenti. Aesculap produce apparecchi di grande valore e le garantisce l'utilizzo di materiali di alta qualità e una produzione accurata. Desideriamo ricordarle che non ci assumiamo responsabilità alcuna per i vizi materiali se tali vizi derivano da utilizzo non conforme, usura normale o dal fatto che il prodotto venga usato in modo inadeguato o se vengono impiegati prodotti esterni non adeguati o non perfettamente funzionanti.

I componenti normalmente sottoposti ad usura e per i quali non ci assumiamo perciò alcuna responsabilità, sono l'accumulatore e la testa di taglio. Allo stesso modo fanno eccezione i vizi materiali che non influiscono sul funzionamento o lo fanno in modo non determinante.

Qualora fossimo responsabili in base alla garanzia, ci riserviamo di riparare o sostituire il prodotto.

### Indirizzo d'assistenza

Albert Kerbl GmbH  
Felizenzell 9  
84428 Buchbach / Germany

Phone: +49 8086 933-100  
Fax: +49 8086 933-500  
E-Mail: [info@kerbl.com](mailto:info@kerbl.com)  
[www.kerbl.com](http://www.kerbl.com)

Gli altri indirizzi dell'assistenza possono essere richiesti all'indirizzo predetto.

## Inhoud

1.	Namen van de onderdelen .....	97
2.	Veiligheid .....	97
2.1	Begripsverklaring .....	97
2.2	Correct gebruik .....	98
2.3	Belangrijke gevarentips .....	98
2.4	Algemene veiligheidsinstructies .....	100
2.5	Veiligheid tijdens het gebruik .....	101
3.	Vorbereiding .....	103
3.1	Laden .....	103
3.2	Verbindingskabel opbergen .....	104
3.3	Netstekker-adapter vervangen .....	105
4.	Bediening .....	106
4.1	In- en uitschakelen .....	106
4.2	Kamopzetstuk .....	106
5.	Reiniging en onderhoud .....	106
6.	Wat te doen, wanneer .....	109
7.	Afvalverwijdering .....	110
8.	Technische gegevens .....	110
9.	Twee jaar garantie .....	111

## Hartelijk dank

Voor de aankoop van de **Exacta/Isis**, de professionele tondeuse van Aesculap.

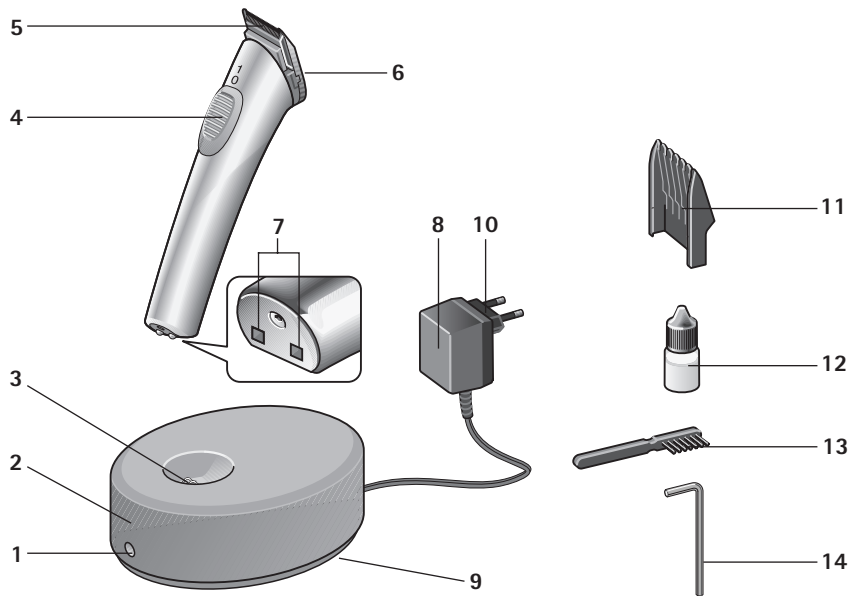
De tondeuse voldoet aan de huidige stand van de techniek, is innovatief en design georiënteerd. Bij de ontwikkeling van de **Exacta/Isis** is rekening gehouden met de eisen voor een professionele tondeuse in de trimsalon. De tondeuse is bijzonder geschikt voor het precies aanbrenge van haarcontouren.

Naast een optimaal snijvermogen biedt de **Exacta/Isis**:

- een gering gewicht
- een vibratiearme en stille motor
- Lange accubedrijf door Li-ionen-accu
- 4-stappen-snijlengteverstelling met kamopzet
- Kabelopslag

Wij wensen u veel plezier bij het werken met de tondeuse.

Uw  
Aesculap Suhl GmbH





## 1. Namen van de onderdelen

---

- 1 Laadindicatie
- 2 Laadstation
- 3 Laadcontacten
- 4 Aan-/uitschakelaar
- 5 Scheerkop
- 6 Bevestigingsschroef scheerkop
- 7 Laadcontacten van het apparaat
- 8 Stekkeradapter
- 9 Snoerhouder
- 10 Netstekker-adapter
- 11 Kamopzetstuk
- 12 Oliefles
- 13 Reinigingsborstel
- 14 Inbussleutel (in de onderkant van het laadstation)

## 2. Veiligheid

---

Lees de gebruiksaanwijzing, vooral het hoofdstuk "Veiligheid", zorgvuldig door **voordat** u de Exacta/Isis gaat gebruiken. Zo beschermt u zich tegen eventuele gevaren en het apparaat tegen beschadigingen door een foutieve bediening.

Bewaar deze gebruiksaanwijzing om later te kunnen lezen. Geef deze gebruiksaanwijzing ook mee als u het apparaat later doorgeeft.

### 2.1 Begripsverklaring

In deze gebruiksaanwijzing vindt u de volgende begrippen:



**GEVAAR**

**Hoog risico. Niet in acht nemen van de waarschuwing kan ernstig letsel veroorzaken.**



**ATTENTIE**

**Matig risico. Niet in acht nemen van de waarschuwing kan materiële schade veroorzaken.**

## OPMERKING

*Gering risico. Aanwijzingen die u bij de omgang met het apparaat in acht moet nemen.*

## 2.2 Correct gebruik

- De tondeuse wordt gebruikt voor het trimmen van klein dierlijk haar.
- Het apparaat is alleen gemaakt voor gebruik binnenshuis! Niet buitenshuis (tuin, terras enz.) gebruiken!
- Het apparaat is ontwikkeld voor de professionele toepassing in de trimsalon en veterinaire praktijk. Als de veiligheidsinstructies worden opgevolgd, mag het ook thuis gebruikt worden.

## 2.3 Belangrijke gevarentips



### Gevaar voor een elektrische schok!

- Gebruik dit apparaat niet in de nabijheid van badkuipen, douches, wastafels of andere kommen die water bevatten.



- Houd het apparaat, het laadstation en de verbindingkabel uit de buurt van vocht, water en andere vloeistoffen en bedien het niet met natte handen.

- Het apparaat, het laadstation en de verbindingkabel niet onder water dompelen of onder stromend water afspoelen.
- Als het apparaat in het water is gevallen, mag het niet meer gebruikt worden.
- Een extra bescherming biedt de inbouw van een **aardlekschakelaar** met een nominale uitschakelstroom van minder dan 30 mA in de huisinstallatie. Wij adviseren u de stroomcircuits door een elektricien met een aardlekschakelaar te laten beveiligen.



ATTENTIE

**Na langdurig gebruik kan de scheerkop heet worden!**

*OPMERKING*

*De tondeuse mag alleen met een netvoeding die voldoet aan de gegevens op het typeplaatje bediend worden.*



GEVAAR



**Gevaar door inslikbare onderdelen!**

- Houd het deksel van de oliefles uit de buurt van kinderen tot 36 maanden.

## 2.4 Algemene veiligheidsinstructies




- Neem het apparaat nooit in gebruik, wanneer:
  - het apparaat, het laadstation of de verbindingkabel beschadigd is.
  - de scheerkop beschadigd of gebroken is, omdat dan de huid beschadigd kan worden.
  - het apparaat gevallen is, zichtbare beschadigingen vertoont of slechts beperkt functioneert.
  - het apparaat zodanig beschadigd is dat elektrische delen vrij liggen.

In elk geval direct de stekker uit het stopcontact trekken en contact opnemen met de technische klantenservice!

- Controleer of de netspanning overeenkomt met de aangegeven spanning op het typeplaatje.

- Apparaat alleen met originele netvoeding bedienen.

Heeft het apparaat de markering  T10, dan kan elke netvoeding van het model T10 gebruikt worden.

Tondeuses voor dieren mogen alleen worden gebruikt door geïnstrueerde personen.

- Berg het apparaat ontoegankelijk voor kinderen op.
- Houd ook het verpakkingsmateriaal, zoals bijv. folie, weg van kinderen.
- Leg de verbindingkabel zo, dat niemand erover struikelt of erop trapt!
- Bescherm de verbindingkabel tegen beschadigingen. Trek nooit aan de verbindingkabel. Houd de voeding vast, wanneer u deze uit het stopcontact trekt. Houd de kabel uit de buurt van hete oppervlakken. Controleer de verbindingkabel regelmatig op beschadigingen.
- Apparaat alleen tussen 0°C–40°C gebruiken of laden
- Reparaties mogen alleen door de geautoriseerde Aesculap-klantenservice worden uitgevoerd om risico's te vermijden. Dit geldt ook voor het vervangen van de accu.
- De scheerkop mag niet uit elkaar gehaald worden.

## 2.5 Veiligheid tijdens het gebruik



**GEVAAR**

**Pak het mes niet vast wanneer het apparaat ingeschakeld is.**

- Om het correcte functioneren en het volledige prestatievermogen van uw tondeuse te waarborgen, dient u het apparaat regelmatig te reinigen en te oliën op je juiste plaatsen (zie "Reiniging en onderhoud" op pagina 106).
- Het apparaat moet uitgeschakeld zijn als:
  - u het apparaat neerlegt, bijv. om het op te laden of als u kort het werk onderbreekt.
  - u het kamopzetstuk opsteekt of afneemt.
  - het apparaat gereinigd moet worden.
- Gebruik de Exacta/Isis alleen samen met de originele toebehoren (laadstation, kamopzetstuk etc.).
- Probeer nooit met scherpe voorwerpen (bijv. met een steelkam) stof of voorwerpen uit het inwendige van het apparaat te verwijderen.

## OPMERKING

*De veiligheid van de elektrische apparaten van Aesculap voldoen aan de erkende regels van de techniek en de veiligheidswet voor apparaten.*

*Signaallampjes zoals LED's of IR-licht overschrijden niet laserklasse 1 volgens IEC 825-1.*

*Volgens de stand van de techniek zijn onderdelen van elektrische apparaten in bepaalde mate onderhevig aan slijtage. Om een correct functioneren en de veiligheid te garanderen, adviseren wij daarom een regelmatige controle door de technische klantenservice van Aesculap Suhl GmbH.*

## Adres klantenservice

Albert Kerbl GmbH  
Felizenzell 9  
84428 Buchbach / Germany

Phone: +49 8086 933-100

Fax: +49 8086 933-500

E-Mail: [info@kerbl.com](mailto:info@kerbl.com)

[www.kerbl.com](http://www.kerbl.com)

Op bovenstaand adres kunt u meerder service adressen opvragen.

### 3. Voorbereiding

#### 3.1 Laden

**Voor het eerste gebruik moet het apparaat 2 uur worden geladen.**

Controleer voordat u de stekker van de Exacta/Isis in het stopcontact stopt of de netspanning overeenkomt met die aangegeven op het typeplaatje.

Het apparaat kan niet "te hoog" opgeladen worden.

#### OPMERKING

*Wanneer u naast de nieuwe tondeuse type HS62 ook het vorige model HS61 gebruikt, kunt u het nieuwe apparaat opladen in het oude laadstation (laadduur 90 min) en/of het oude apparaat type HS61 in het nieuwe laadstation opladen (laadduur 60 min).*

*De tondeuse type HS60 kan ook in het laadstation van het type HS62 worden geladen. Het is echter niet mogelijk, een type HS62 in het laadstation van het type HS60 te laden.*



- Steek de stekkeradapter **8** in een stopcontact.
  - Zet het laadstation **2** op een plat oppervlak.
- Plaats het apparaat in het laadstation. Het positioneert zich automatisch en wordt opgeladen. De groene laadindicatie **1** knippert altijd, wanneer wordt geladen. Let erop, dat de aan-/uitschakelaar **4** bij het opladen op 0 staat. De accu is volledig geladen, zodra de groene laadindicatie **1** permanent brandt.

## 3.2 Verbindingskabel opbergen



Wanneer u niet de volle lengte van de kabel nodig hebt, kan een deel van de verbindingskabel in de kabelopslag **9** worden opgeborgen.

- Trek de stekker uit het stopcontact.
- Draai het laadstation om.
- Wikkel het overtollige snoer om de houder op de bodem en steek het snoer door de kleine uitsparing in de behuizing naar buiten.



### 3.3 Netstekker-adapter vervangen

Het apparaat wordt met een netstekker-adapter **10** geleverd.



**GEVAAR**

#### Gevaar door elektrische schok!

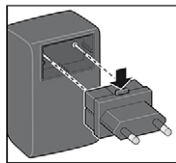
- Gebruiken uitsluitend de originele netstekker-adapter **10**.
- Trek de voeding **8** uit het stopcontact voordat u de netstekker-adapter **10** vervangt.
- Zorg ervoor dat de voeding **8** tijdens de reiniging niet weer wordt aangesloten.



**ATTENTIE**

#### Beschadiging van de voeding door verkeerd gebruik!

- Let erop dat u de kleine pinnen op de netadapter **8** niet verbuigt.



➤ Druk de ontgrendelingsknop in, in de richting van de pijl terwijl u de netstekker-adapter **10** loskoppelt.

➤ Steek de benodigde netstekker-adapter **10** in de voeding **8**. Zorg ervoor dat de ontgrendelingsknop aan de bovenkant zit en vastklikt.

## 4. Bediening

---

### 4.1 In- en uitschakelen



- Om het apparaat in te schakelen, schuift u de aan-/uitschakelaar **4** naar voren.
- Om het apparaat uit te schakelen, schuift u de aan-/uitschakelaar op stand **0**.

### 4.2 Kamopzetstuk



- Schakel de tondeuse uit en schuif het kamopzetstuk op de scheerkop tot het vast klikt.
- Vervolgens kunt u met de tondeuse het haar op de gebruikelijke manier knippen.



- Met de kamopzetstuk kan op 4 verschillende kniplengtes worden ingesteld (ca. 3 tot 6 mm). Hiervoor schuift u de kamopzetstuk in de gewenste positie.

Hoe verder het kamopzetstuk er wordt opgeschoven, des te korter is de kniplengte.

## 5. Reiniging en onderhoud

---

Om het correcte functioneren en het volledige prestatievermogen van uw tondeuse te waarborgen, dient u het apparaat regelmatig te reinigen en te oliën.

### Reinigen van de scheerkop



**ATTENTIE**

#### **Beschadiging door het verkeerd verwijderen van de scheerkop!**

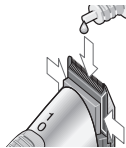
- Als de scheerkop niet juist gedemonteerd wordt kan de bevestiging beschadigd raken.

Bij regelmatig gebruik moet de scheerkop **5 eenmaal per dag** grondig schoongemaakt worden.

- Schakel het apparaat uit.
- Haal eventueel het kamopzetstuk eraf.
- Haal de haren weg met de reinigingsborstel **12**.

### Oliën van de scheerkop

Om te zorgen dat de scheerkop zo lang mogelijk scherp blijft, moet hij regelmatig - elke **10 minuten** - geolied worden.



- Haal eventueel het kamopzetstuk eraf.
- Olie de plaatsen waar het onderste en bovenste scheermes elkaar raken (zie daarvoor ook de afbeelding).

### Vervangen van de scheerkop

De scheerkop is aan slijtage onderhevig. Ondanks goed onderhoud zal hij allengs minder goed gaan werken. Vervang de scheerkop dan. De scheerkop kan apart als onderdeel bij de Aesculap-klantenservice besteld worden.



### Beschadiging van de scheerkop bevestiging!

- Draai de schroef niet te strak aan.



- Zorg ervoor dat de aan-/uitschakelaar **4** op stand **0** staat.
- Haal de inbussleutel **13** uit de bodem van het laadstation om de schroef **6** van de scheerkop los te maken.
- Maak de schroef helemaal los en haal hem eruit.
- Druk met de duim de scheerkop er naar boven toe af.
- Plaats nu de nieuwe scheerkop erop tot hij vast klikt en schroef hem vast.

Bij het vervangen van de scheerkop kunt u haarresten uit het binnenste met de reinigingsborstel 12 verwijderen.

### Reiniging van het apparaat

- Veeg het apparaat af en toe met een vochtige doek af en wrijf het daarna droog.

### Reinigen van de laadcontacten

Als de laadcontacten 7 op het apparaat of de laadcontacten 3 op het laadstation vuil zijn, kan het laden onderbroken of belemmerd worden.

- Maak de contacten schoon met een in alcohol of spiritus gedompeld wattenstaafje of doek.

**Als de accu leeg is (stilstand van de motor), schakelt u de aan-/uitschakelaar 4 in elk geval op 0 en plaatst u het apparaat in het laadstation.**

- Let erop dat het apparaat **niet** ingeschakeld wordt weggelegd als de accu leeg is.
- Let erop dat het apparaat uitgeschakeld is (aan-/uitschakelaar op 0), als u het in het laadstation zet.

## 6. Wat te doen, wanneer ...

---

### ... het apparaat niet ingeschakeld kan worden?

- Is de accu leeg? Sluit de stekkeradapter van het laadstation aan en laad de tondeuse op. Let erop dat de aan/uitschakelaar bij het opladen op 0 staat.
- Is de scheerkop droog? De scheerkop moet geolied worden. Ga te werk zoals op pagina 107 beschreven is.

### ... de scheerkop loopt met "horten en stoten"?

- De scheerkop moet geolied worden. Ga te werk zoals op pagina 107 beschreven is.

### ... de laadindicatie tijdens het laden niet brandt?

- Maak de laadcontacten schoon.
- Het apparaat staat misschien niet goed op het laadstation. Zet het correct neer.
- Is het laadstation correct aangesloten?

### ... het apparaat vanzelf uitgaat?

- De accu is leeg. Laad de tondeuse op.

### ... de accu zich niet meer laat opladen?

- Controleren, of de oplaadstandaard van de tondeuse HS60 wordt gebruikt, zie het typeplaatje op de oplaadstandaard. Deze is niet compatibel met de tondeuse HS62.
- Zo niet, stuur de machine dan naar de Aesculap-reparatieservice.

## 7. Afvalverwijdering



Dit elektrische apparaat beschikt over een vast ingebouwde accumulator.



Het product bevat elektronische componenten en / of batterijen. Gooi het apparaat niet bij het huishoudelijk afval, maar lever het voor recycling in bij een gemeentelijk inzamel-punt.

## 8. Technische gegevens

Product	Exacta/Isis
Netadapter:	
Ingang voltage	100-240 V ~ 50/60 Hz
Geluidssterkte	< 60 dB(A)
De totaalwaarde van de trillingen	ah < 2,5 m/s <sup>2</sup>
Opzetstuk	1 Kamopzetstuk
Afmetingen	140 x 30 x 36 mm
Gewicht	115 g



Technische wijzigingen voorbehouden.

## 9. Twee jaar garantie

---

Geachte klant,

Hartelijk dank dat u een product van onze firma heeft gekozen. De naam Aesculap staat sinds decennia garant voor beproefde kwaliteit en een uitstekende service. Wij bieden onze klanten innovatieve en sterke producten. Aesculap vervaardigt hoogwaardige apparaten en garandeert het gebruik van hoogwaardig materiaal alsmede een zorgvuldige productie. Naast de contractuele en wettelijk geregelde garantierechten biedt Aesculap u een fabrieksgarantie onder de volgende voorwaarden aan: de fabrieksgarantie geldt voor twee jaar vanaf de koopdatum. De garantie is geldig voor gebreken (storingen, defecten) die berusten op materiaal- en fabricagefouten.

Van onze fabrieksgarantie is het volgende uitgesloten: gebreken die ontstaan door ondeskundig gebruik, normale slijtage of tot stand komen doordat niet geautoriseerde personen foutieve ingrepen aan het product uitvoeren of doordat bij de montage niet passende of niet onberispelijk functionerende producten van andere fabrikanten worden gebruikt.

Typische onderdelen die regelmatig onderhevig zijn aan slijtage en zodoende niet onder onze fabrieksgarantie vallen, zijn in het bijzonder de accu en de scheerkop. Eveneens uitgesloten zijn gebreken die de waarde of de deugdelijkheid van het apparaat niet of slechts in zeer geringe mate beïnvloeden. Als er tijdens onze garantieperiode van twee jaar na de koopdatum een gebrek ontstaat, waarvoor onze fabrieksgarantie van toepassing is, zullen wij naar onze keuze het gebrekkige product repareren of door een ander vervangen.

### Adres klantenservice

Albert Kerbl GmbH  
Felizenzell 9  
84428 Buchbach / Germany

Phone: +49 8086 933-100  
Fax: +49 8086 933-500  
E-Mail: [info@kerbl.com](mailto:info@kerbl.com)  
[www.kerbl.com](http://www.kerbl.com)

Op bovenstaand adres kunt u meerder service adressen opvragen.

## Innehållsförteckning

1.	Delarnas beteckning .....	115
2.	Säkerhet .....	115
2.1	Begreppsförklaring.....	115
2.2	Avsedd användning .....	116
2.3	Viktiga riskanvisningar .....	116
2.4	Allmänna säkerhetsanvisningar .....	118
2.5	Säkerhet under användningen .....	119
3.	Förberedelse .....	121
3.1	Laddningsförlopp.....	121
3.2	Förvara anslutningskabel.....	122
3.3	Byta nätaggregat .....	123
4.	Användning .....	124
4.1	Slå på och av .....	124
4.2	Kaminsats.....	124
5.	Rengöring och underhåll.....	124
6.	Vad ska jag göra, när.....	127
7.	Avfallshantering.....	128
8.	Tekniska data .....	128
9.	2 års garanti.....	129



## Tack

för att du köpt **Exacta/Isis**, den nya klippmaskinen från Aesculap.

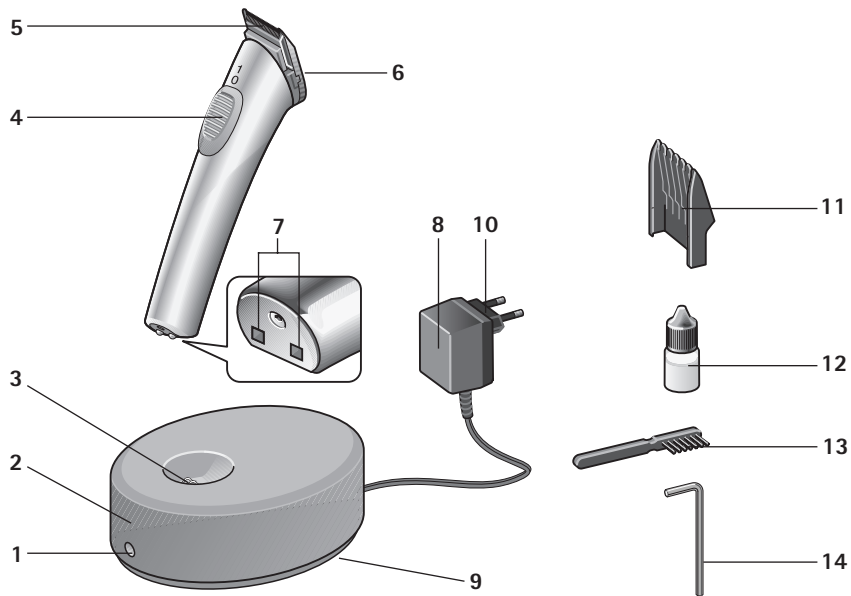
Den motsvarar det senaste inom teknik, är innovativ och designorienterad. Det togs hänsyn till kraven som ställs på en proffstrimmer när den konstruerades. Klippmaskinen är särskilt lämpad för precis klippning av hårkonturer.

Förutom en optimal klippprestanda erbjuder **Exacta/Isis** dig:

- låg vikt
- tyst motor med ringa vibrationer
- lång batteridrift med li-jon-batteri
- 4-stegig klipplängdsjustering med kaminsats
- Kabeldepå

Vi önskar lycka till när du arbetar med klippmaskinen.

Ditt  
Aesculap Suhl GmbH



## 1. Delarnas beteckning

---

- 1 Laddningsvisning
- 2 Laddare
- 3 Laddkontakt
- 4 Strömbrytare
- 5 Klipphuvud
- 6 Fästsruvar klipphuvud
- 7 Apparats laddkontakt
- 8 Elkontakt
- 9 Kabeldepå
- 10 Nätaggregat
- 11 Kaminsats
- 12 Oljeflaska
- 13 Rengöringspensel
- 14 Insexnyckel (i botten på laddningsstationen)

## 2. Säkerhet

---

Läs igenom bruksanvisningen noga, särskilt kapitlet "Säkerhet", **innan** du börjar arbeta med klippmaskinen. Då skyddar du dig själv mot möjliga risker och apparaten mot skador genom felmanövrering.

Spara den här bruksanvisningen för framtida behov. Om apparaten lämnas vidare ska den här bruksanvisningen följa med.

### 2.1 Begreppsförklaring

I den här bruksanvisningen hittar du följande begrepp:



FARA

**Hög risk.** Om varningen åsidosätts kan detta leda till allvarliga personskador.



VARNING

**Mellanrisk.** Om varningen åsidosätts kan detta leda till en materiell skada.

### ANVISNING

Låg risk. Anvisningar som du ska tänka på när apparaten hanteras.

## 2.2 Avsedd användning

- Klippmaskinen används för trimning av smådjur.
- Apparaten är endast avsedd för användning inomhus! Använd den inte utomhus (trädgård, terrass etc.)!
- Apparaten utvecklades för professionell användning på klippsalongen och hos veterinären. Om säkerhetsanvisningarna beaktas kan den även användas hemma.

## 2.3 Viktiga riskanvisningar



### Risk för en elektrisk stöt!

- Apparaten får aldrig laddas eller användas i badkaret, duschen, över ett fyllt handfat eller annat kärl.



- Håll apparaten, laddningsstationen och anslutningskabeln borta från fukt, vatten och andra vätskor och hantera den inte med våta händer.

- Doppa inte ner apparaten, laddningsstationen och anslutningskabeln i vatten och skölj dem inte under rinnande vatten.
- Om apparaten skulle ha hamnat i vattnet ska den inte användas mer.
- Extra skydd ger en **jordfelsbrytare**, med en nominell utlösningsström på mindre än 30 mA, som monteras i fastighetsinstallationen. Vi rekommenderar att låta en elektriker säkra strömkretsen med en FI-skyddsavstängning.



**VARNING**

**Efter långvarig användning  
kan skärhuvudet bli varmt!**

*OBS*

*Hårklipparen får endast användas med ett nätaggreat enligt specifikationerna på typskylten.*



**FARA**



**Varning för sväljbara smådelar!**

- Oljeflaskans lock måste hållas borta från barn under 36 månader.


## 2.4 Allmänna säkerhetsanvisningar



- Använd aldrig apparaten när:
  - apparaten, laddningsstationen eller anslutningskabeln är skadade.
  - när klipp huvudet är skadat eller avbrutet eftersom huden då kan skadas.
  - när apparaten har fallit, har synliga skador eller när funktionerna är begränsade.
  - apparaten är så skadad att eldetaljer är synliga.

I dessa situationer ska apparaten alltid skiljas från elnätet och teknisk kundtjänst ska informeras!

- Kontrollera om nätspänningen överensstämmer med den spänning som är angiven på typskylten.

Om apparaten är märkt med  T10 kan alla nätaggregat av modellen T10 användas.

Klippmaskiner för djur får endast användas av instruerade personer.

- Barn ska hållas under uppsikt för att säkerställa att de inte leker med apparaten. Se till att inte barn gör sig illa på klipphuvudet. Förvara apparaten så att barn inte kommer åt den.
- Håll även förpackningsmaterialet, som t. ex. folier, borta från barn.
- Dra anslutningskabeln på sådant sätt att ingen snubblar över den eller trampar på den!
- Skydda anslutningskabeln mot skador. Dra aldrig i anslutningskabeln. Ta tag i elkontakten när du ska dra ut den ur eluttaget. Håll sladden borta från mycket varma ytor. Kontrollera regelbundet anslutningskabeln efter skador.
- Använd och ladda apparaten endast inom ett temperaturintervall på 0°C–40°C.
- För att undvika en risk får reparationer bara utföras av auktoriserad Aesculap-kundtjänst. Detta gäller för byte av batteri.
- Klipphuvudet får inte plockas isär.

## 2.5 Säkerhet under användningen



**FARA**

**Ta inte i eller på klipphuvudet när apparaten är startad.**

- För korrekt drift måste klipphuvudet rengöras korrekt och oljas på motsvarande ställen (se "Rengöring och underhåll" på sidan 124).
- Apparaten måste vara avstängd när:
  - Du lägger ifrån dig den, t.ex. för att ladda den eller när du avbryter klipningen en kort stund.
  - När du sätter på eller tar av kaminsatsen.
  - När apparaten ska rengöras eller oljas in.
- Använd endast klippmaskinen tillsammans med originaltillbehör (laddningsstation, kaminsats etc.).
- Försök aldrig ta bort damm eller främmande föremål från apparatens inre med spetsiga föremål (t. ex. med en stålkam).

**ANVISNING**

*Säkerheten hos elektriska apparater från Aesculap motsvarar de vedertagna, tekniska reglerna och den tyska lagen om apparatsäkerhet (Gerätesicherheitsgesetz).*

*Indikeringslampor som LED:er eller IR-ljus överskrider inte laserklass 1 enligt IEC 825-1.*

*Enligt dagens tekniska standard utsätts delar i eltekniska apparater för tidsstyrt slitage i viss omfattning. För att garantera felfri funktion och säkerhet rekommenderar vi därför att den tekniska kundtjänsten för Aesculap Suhl GmbH får utföra regelbundna kontroller.*

**Serviceadress**

Albert Kerbl GmbH  
Felizenzell 9  
84428 Buchbach / Germany

Phone: +49 8086 933-100

Fax: +49 8086 933-500

E-Mail: [info@kerbl.com](mailto:info@kerbl.com)

[www.kerbl.com](http://www.kerbl.com)

Ytterligare serviceadresser kan erhållas via ovannämnda adress.



## 3. Förberedelse

---

### 3.1 Laddningsförlopp

Före första användning ska apparaten laddas i 2 timmar.

Förvissa dig om att nätspänningen överensstämmer med den spänning som anges på typskylten innan du ansluter klippmaskinen till ett eluttag.

Det går inte att "överladda" apparaten.

#### ANVISNING

*Om du använder föregående modell, typ HS61, förutom den nya klippmaskinen, typ HS62, kan den nya apparaten laddas i den gamla laddningsstationen (laddningstid 90 minuter) och/eller så kan den gamla apparaten, typ HS61, laddas i den nya laddningsstationen (laddningstid 60 minuter).*

*Klippmaskinen av typ HS60 kan också laddas i laddningsstationen av typ HS62. Det går dock inte att ladda en typ HS62 i laddningsstationen av typ HS60.*



- Koppla i elkontakten **8** i ett eluttag.
  - Ställ laddningsstationen **2** på en jämn yta.
- 
- Ställ apparaten i laddningsstationen. Den positionerar sig själv och laddas upp. En gröna laddindikatorn **1** blinkar kontinuerligt när apparaten laddas. Se till att strömbrytaren **4** står på 0 under laddning. Batteriet är fulladdat när den gröna laddindikatorn **1** lyser stadigt.

### 3.2 Förvara anslutningskabel



När du inte behöver kabelns fulla längd, kan en del av anslutningskabeln förvaras i kabeldepån **9**.

- Dra i nätsladden.
- Vira den runt laddningsstationen.
- Linda den överskjutande kabeln runt hållaren i botten och för ut kabeln genom den lilla ursparningen i höljet.

### 3.3 Byta nätaggregat

Produkten levereras med ett nätaggregat **10**.



**FARA**

#### Fara för elektrisk stöt!

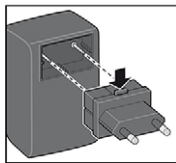
- Använd uteslutande originalnätaggregatet **10**.
- Dra ut stickproppen **8** ur uttaget innan du byter nätaggregat **10**.
- Försäkra dig om att stickproppen **8** inte kan sättas i igen under rengöring.



**VARNING**

#### Skada på stickproppen pga. felaktig användning!

- Var noga med att inte böja de små stiften på stickproppen **8**.



- Tryck in upplåsningsknappen i pilens riktning, samtidigt som du dra av det monterade nätaggregatet **10**.
- Sätt in det nätaggregat som krävs **10** i stickproppen **8**. Försäkra dig om att upplåsningknappen sitter på ovansidan och att den låser.

## 4. Användning

### 4.1 Slå på och av



- För att slå på apparaten, skjut fram strömbrytaren **4**.
- För att slå av apparaten, skjut strömbrytaren till position **0**.

### 4.2 Kaminsats



- Slå av klippmaskinen och skjut kaminsatsen på klipphuvudet tills det klickar i.
- Därefter kan du klippa smådjurshår med klippmaskinen som vanligt.



- Kaminsatsen går att ställa in på 4 olika klipplängder (ca. 3 till 6 mm). För att göra det skjuter du den på klipphuvudet till önskad position.

Ju längre in kaminsatsen skjuts, desto kortare blir klipplängden.

## 5. Rengöring och underhåll

Rengör och olja in apparaten regelbundet för att säkerställa att din klippmaskin fungerar korrekt och har full kapacitet.

### Rengöring av klipphuvudet



**VARNING**

### Skador på klipphuvudet från demontering!

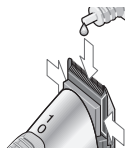
- Demontera aldrig klipphuvudet, eftersom det inte går att montera ihop den igen.

Vid regelbunden användning ska klipphuvudet 5 rengöras grundligt **en gång om dagen**.

- Slå av apparaten.
- Ta ev. bort kaminsatsen.
- Ta bort håren med rengöringspenseln 12.

### Oljning av klipphuvudet

För att skärhuvudet ska ha en bra skärprestanda så länge som möjligt, måste skärhuvudet regelbundet – var 10:e minut – smörjas med olja.



- Ta ev. bort kaminsatsen.
- Olja in de ställen där den övre och den undre delen av klipphuvudet berör varandra (se bild).

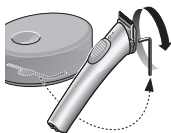
### Byt ut klipphuvudet

Klipphuvudet är en förslitningsdel. Trots gott underhåll minskar klipprestandan. Byt då ut klipphuvudet. Klipphuvudet kan beställas enskilt som reservdel hos Aesculap kundtjänst (adress finns i slutet av den här handledningen).



### Skador på höljet när klipphuvudet skruvas på!

- Dra inte fast skruvarna för hårt.



- Se till att strömbrytaren 4 står i position 0.
- Ta insexnyckeln 13 från botten av laddningsstationen för att lossa skruvarna 6 på klipphuvudet.
- Lossa skruvarna helt och ta ur dem.
- Tryck upp klipphuvudet med tummen.
- Sätt på det nya klipphuvudet, tills det klickar i, och skruva fast det.

Vid bytet av klipphuvud kan du ta bort hårrester i in-  
nerrummet med en pensel.

#### Rengöring av apparaten

- Torka av din apparat med en fuktig trasa, gnugga den därefter torr.

#### Rengöring av laddkontakt

När laddkontakten **7** på apparaten eller laddkontakten **3** på laddningsstationen blivit smutsig kan laddningsförloppet avbrytas eller hindras.

- Rengör kontakten med en bomullstuss eller trasa fuktad i alkohol.

**När batteriet är tomt (motorn står stilla), ställ alltid strömbrytaren på 0 och ställ apparaten i laddningsstationen.**

- Se till att inte apparaten läggs undan när den är påslagen och batteriet är tomt.
- Se till att apparaten är avslagen (strömbrytaren på 0) när du ställer den i laddningsstationen.

## 6. Vad ska jag göra, när...

---

### ...det inte går att slå på apparaten?

- Är batteriet tomt? Anslut elkontakten på laddningsstationen och ladda upp klippmaskinen.
- Är klipphuvudet torrt? Klipphuvudet måste oljas in. Gör enligt beskrivningen på Sidan 125.

### ...klipphuvudet "rycker"?

- Klipphuvudet måste oljas in. Gör enligt beskrivningen på Sidan 125.

### ...laddningsvisningen lyser inte vid uppladdning?

- Rengör laddkontaktarna.
- Apparaten står kanske inte rätt i laddningsstationen. Ställ den på rätt sätt.
- Är laddningsstationen inte korrekt ansluten?

### ...apparaten inte slår av sig av sig själv?

- Batteriet är tomt. Ladda upp klippmaskinen.

### ... det inte går att ladda upp batteriet mer?

- Kontrollera att du inte använder laddningsstationen för klippmaskinen HS60, se typskylt på laddningsstationen. Denna laddningsstation är inte kompatibel med klippmaskinen HS62.
- Om nej, skicka maskinen till reparationservice på Aesculap-Reparaturservice.

## 7. Avfallshantering



Denna elapparat har ett inbyggt batteri.



Produkten innehåller elektroniska komponenter och/eller batterier. Avfallshandera inte apparaten tillsammans med hushållsavfall, utan lämna in den på en lokal återvinningsstation.

## 8. Tekniska data

Produkt	Exacta/Isis
Nätadapter	
Ingångsspänning	100-240 V ~ 50/60 Hz
Volym	< 60 dB(A)
Totalvibration	ah < 2,5 m/s <sup>2</sup>
Insats	1 kaminsats
Mått	140 x 30 x 36 mm
Vikt	115 g



Med förbehåll för tekniska ändringar.



## 9. 2 års garanti

---

Bästa kund,

Tack för att du bestämt dig för en produkt från vårt företag.

Namnet Aesculap står sedan årtionden tillbaka för utprovad kvalitet och förstklassig service. Vi erbjuder våra kunder innovativa och kraftfulla produkter.

Aesculap tillverkar högklassiga apparater och försäkrar att vi har använt material av hög kvalitet och att produkten är omsorgsfullt tillverkad och sammansatt. Vi vill påpeka att vi inte tar ansvar för materiella brister på våra produkter om dessa beror på en felaktig användning, normalt slitage eller för att produkten använts på ett felaktigt sätt eller om ej passande eller ej felfritt fungerande externa produkter använts.

Delar, som i vanliga fall utsätts för slitage och för vilka vi inte tar något ansvar är batteriet och klipphuvudet. Även sådana brister, som inte på ett väsentligt sätt påverkar produktens värde eller funktion är undantagna.

Vid ett garantifall förbehåller vi oss rätten att antingen reparera produkten eller byta ut den.

### Serviceadresser

Albert Kerbl GmbH  
Felizenzell 9  
84428 Buchbach / Germany

Phone: +49 8086 933-100  
Fax: +49 8086 933-500  
E-Mail: [info@kerbl.com](mailto:info@kerbl.com)  
[www.kerbl.com](http://www.kerbl.com)

Ytterligare serviceadresser kan erhållas via ovannämnda adress.

## Содержание

- |     |  |     |    |                                      |     |
|-----|--|-----|----|--------------------------------------|-----|
| 1.  | Обозначение деталей . . . . .                        | 133 | 8. | Технические характеристики . . . . . | 148 |
| 2.  | Безопасность . . . . .                               | 133 | 9. | Гарантия 2 года. . . . .             | 149 |
| 2.1 | Разъяснение понятий. . . . .                         | 134 |    |                                      |     |
| 2.2 | Использование по назначению . . . .                  | 134 |    |                                      |     |
| 2.3 | Важные указания об опасности . . . .                 | 135 |    |                                      |     |
| 2.4 | Общие инструкции по технике<br>безопасности. . . . . | 136 |    |                                      |     |
| 2.5 | Безопасность во время работы . . . .                 | 138 |    |                                      |     |
| 3.  | Подготовка. . . . .                                  | 139 |    |                                      |     |
| 3.1 | Процесс зарядки. . . . .                             | 139 |    |                                      |     |
| 3.2 | Размещение соединительного<br>провода . . . . .      | 141 |    |                                      |     |
| 3.3 | Замена адаптера штепсельной<br>вилки . . . . .       | 142 |    |                                      |     |
| 4.  | Эксплуатация . . . . .                               | 143 |    |                                      |     |
| 4.1 | Включение и выключение . . . . .                     | 143 |    |                                      |     |
| 4.2 | Насадка-гребень. . . . .                             | 144 |    |                                      |     |
| 5.  | Чистка и уход. . . . .                               | 144 |    |                                      |     |
| 6.  | Что делать, если . . . . .                           | 147 |    |                                      |     |
| 7.  | Утилизации? . . . . .                                | 148 |    |                                      |     |

## Большое спасибо

за покупку машинки **Exacta/Isis**, новой машинки для стрижки производства фирмы Aesculap.

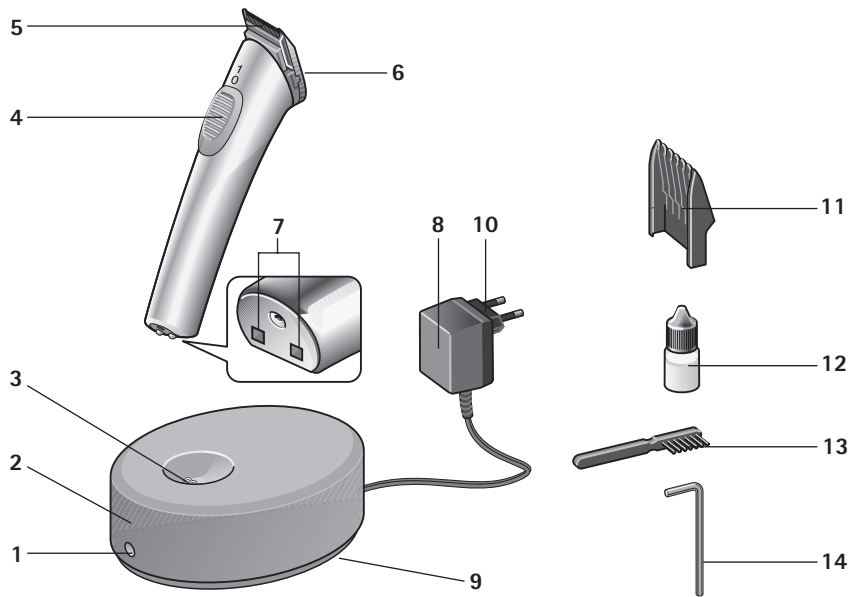
Она соответствует последнему слову техники и представляет собой инновационное изделие с особым дизайном. При разработке машинки для стрижки были учтены все требования, предъявляемые к профессиональным триммерам. Данная машинка для стрижки особенно подходит для точной стрижки контуров волосяного покрова.

Наряду с оптимальной режущей способностью, машинка для стрижки **Exacta/Isis** имеет:

- Небольшой вес
- Тихий двигатель с низким уровнем вибрации
- Длительную работу батареи благодаря литий-ионному аккумулятору
- 4-х ступенчатую регулировку длины среза
- Место для хранения кабеля

Желаем Вам приятной работы с машинкой для стрижки.

Ваша  
«Aesculap Suhl» GmbH



## 1. Обозначение деталей

---

- 1 Индикатор зарядки
- 2 Зарядная станция
- 3 Зарядные контакты
- 4 Переключатель "Вкл/Выкл"
- 5 Стригущая головка
- 6 Крепежный винт стригущей головки
- 7 Зарядные контакты устройства
- 8 Штекерный блок питания
- 9 Место для хранения кабеля
- 10 Адаптер штепсельной вилки
- 11 Насадка-гребень
- 12 Бутылочка с маслом
- 13 Чистящая кисточка
- 14 Торцовый шестигранный ключ (в днище зарядной станции)

## 2. Безопасность

---

**Перед** эксплуатацией машинки для стрижки необходимо внимательно прочитать руководство по эксплуатации, в особенности главу "Безопасность". Это поможет защитить себя от возможных опасностей, а устройство - от повреждений вследствие ненадлежащего обращения.

Сохранять данное руководство по эксплуатации для последующего повторного прочтения. При передаче устройства следует передать вместе с ним и данное руководство по эксплуатации.

## 2.1 Разъяснение понятий

В данном руководстве по эксплуатации встречаются следующие понятия:



ОПАСНОСТЬ

**Высокий риск. Несоблюдение предупреждения может стать причиной тяжелых травм.**



ВНИМАНИЕ

**Средний риск. Несоблюдение предупреждения может причинить материальный ущерб.**

### УКАЗАНИЕ

*Низкий риск. Указания, которые необходимо соблюдать при обращении с устройством.*

## 2.2 Использование по назначению

- Машинка для стрижки применяется для стрижки мелких домашних животных.
- Устройство рассчитано только на использование в помещении! Не эксплуатировать вне помещений (в саду, на террасе и т.д.)!
- Устройство разработано для применения в груминг-салонах и в ветеринарной практике. При соблюдении инструкций по технике безопасности возможно использование устройства дома.

## 2.3 Важные указания об опасности



ОПАСНОСТЬ

### Опасность поражения электрическим током!



- Ни в коем случае не заряжать и не эксплуатировать устройство в ванне, душе, над заполненным водой умывальником / прочей емкостью.

- Беречь устройство, зарядную станцию и соединительный провод от попадания влаги, воды и других жидкостей и не держать его мокрыми руками.
- Не погружать устройство, зарядную станцию и соединительный провод в воду и не промывать под проточной водой.
- Если устройство упало в воду, то после этого нельзя его снова использовать.

- Дополнительную защиту обеспечивает установка **автомата защитного отключения тока утечки** с номинальным током отключения менее 30 мА во внутренней электропроводке здания. Рекомендуем поручить специалисту-электрику установить в электрических цепях защиту на отключение, действующую при появлении тока повреждения или тока утечки.



ВНИМАНИЕ

После длительного использования режущая головка может стать горячей!

### Указание

*Эксплуатировать машинку для стрижки волос разрешается только с блоком питания от сети, соответственно указаниям на типовой табличке.*



ОПАСНОСТЬ

Опасность из-за проглатывания деталей!



➤ Крышку от бутылки для масла берегите от детей в возрасте до 36 месяцев.

## 2.4 Общие инструкции по технике безопасности




ОПАСНОСТЬ

- Ни в коем случае не эксплуатировать устройство:
- при повреждении устройства, зарядной станции или соединительного провода.
  - при повреждении или надломе стригущей головки, так как можно повредить кожу.
  - при падении устройства, наличии видимых повреждений или ограничении режима работы.
  - при повреждении устройства в такой степени, что открыты электрические детали.

В каждом случае немедленно отсоединить устройство от сети и поставить в известность отдел технического обслуживания!



- Проверить, совпадает ли напряжение сети с напряжением, указанным на заводской табличке.
- Эксплуатировать прибор только с оригинальным блоком питания от сети.

Если на приборе нанесена маркировка  T10, можно использовать любой блок питания от сети модели T10.

Машинку для стрижки животных разрешается использовать только проинструктированным лицам.

- Следите за тем, чтобы дети не поранились об стригущую головку. Хранить устройство в недоступном для детей месте.
- Держать подальше от детей упаковочный материал, например, пленку.
- Класть соединительный провод таким образом, чтобы никто не споткнулся и не наступил на него!
- Беречь соединительный провод от повреждений. Ни в коем случае не тянуть за соединительный провод. Браться руками за штекерный блок питания при вытягивании его из розетки. Держать провод вдали от горячих поверхностей. Регулярно проверять соединительный провод на наличие повреждений.
- Устройство эксплуатировать и заряжать только в пределах 0 °С–40 °С.
- Во избежание опасностей, ремонтные работы могут выполнять только специалисты отдела обслуживания клиентов, уполномоченного фирмой Aescular. Это касается и замены аккумулятора.

- Нельзя разбирать стригущую головку.

## 2.5 Безопасность во время работы



**Когда устройство включено, нельзя касаться стригущей головки или братья за нее.**

ОПАСНОСТЬ

- Для обеспечения безаварийной работы необходимо регулярно чистить стригущую головку и смазывать ее маслом в соответствующих местах (см. "Чистка и уход" на странице 144).
- Устройство должно быть выключено, если:
  - устройство откладывается в сторону, например, для зарядки или при краткосрочном перерыве в процессе стрижки.
  - при надевании или снятии насадки-гребня.
  - если его необходимо почистить или смазать маслом.

- Применять машинку для стрижки только вместе с оригинальными комплектующими (зарядная станция, насадка-гребень и т.д.).
- Ни в коем случае не пытаться удалить острыми предметами (например, гребнем с ручкой) пыль или посторонние предметы внутри устройства.

### УКАЗАНИЕ

*Безопасность электроприборов фирмы "Aesculap" соответствует общепризнанным правилам техники и закону "О безопасности приборов".*

*Световые индикаторы, такие как светодиоды или инфракрасный свет, не выше класса лазерного излучения 1 согласно IEC 825-1.*

*В соответствии с современным уровнем техники детали электротехнических приборов в определенной степени подвергаются износу, обусловленному временем. Поэтому для обеспечения безаварийного функционирования и безопасности рекомендуем проводить регулярные проверки устройства (выполняются отделом технического обслуживания фирмы Aescular Suhl GmbH).*

Адрес сервисного центра

Albert Kerbl GmbH  
Felizenzell 9  
84428 Buchbach / Germany

Phone: +49 8086 933-100  
Fax: +49 8086 933-500  
E-Mail: [info@kerbl.com](mailto:info@kerbl.com)  
[www.kerbl.com](http://www.kerbl.com)

Адреса других сервисных центров можно узнать по вышеуказанному адресу.

## 3. Подготовка

---

### 3.1 Процесс зарядки

Перед первым применением устройство должно заряжаться в течение 2 часов.

Перед включением машинки для стрижки в розетку убедиться в том, что напряжение сети совпадает с напряжением, указанным на заводской табличке.

"Чрезмерная" зарядка устройства невозможна.

**УКАЗАНИЕ**

*Если с новой машинкой для стрижки типа HS62 вы используете и предыдущую модель типа HS61, новое устройство разрешается заряжать в старой зарядной станции (время зарядки — 90 мин.), а / или старое устройство типа HS61 — в новой зарядной станции (время зарядки — 60 мин.).*

*Машинку для стрижки типа HS60 также можно заряжать в зарядной станции типа HS62.*

*Невозможно зарядить тип HS62 в зарядной станции типа HS60.*



- Вставить штекерный блок питания **8** в розетку.
  - Поставить зарядную станцию **2** на ровную поверхность.
- ставить устройство в зарядную станцию. Оно само устанавливается в нужное положение и заряжается. Зеленый индикатор зарядки **1** мигает всегда, когда поступает зарядный ток. Следить за тем, чтобы в процессе зарядки переключатель вкл. / выкл. **4** находился в положении **0**. Аккумулятор заряжен полностью, как только зеленый индикатор зарядки **1** горит непрерывно.

### 3.2 Размещение соединительного провода



Если нет необходимости использовать провод на всю длину, можно разместить часть соединительного провода в месте для хранения кабеля 9

- Вытянуть штепсельную вилку.
- Повернуть зарядную станцию.
- Обмотать лишний кабель вокруг держателя в днище и вывести кабель наружу через небольшой паз в корпусе.

### 3.3 Замена адаптера штепсельной вилки

Устройство поставляется с адаптером для штепсельной вилки 10.



ОПАСНОСТЬ

Опасность в результате удара током!

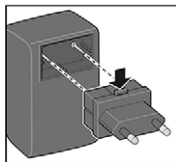
- Используйте исключительно оригинальный адаптер для штепсельной вилки 10.
- Перед заменой адаптера штепсельной вилки 10 отсоедините сетевой прибор из штепсельной розетки 8.
- Убедитесь, что сетевой прибор 8 при очистке не будет повторно включен в сеть.



ВНИМАНИЕ

При неправильном использовании возникает опасность повреждения сетевого прибора!

- Обратите внимание на то, чтобы не были согнуты маленькие контакты на сетевом приборе 8.



- Вдавите кнопку разблокировки в направлении стрелки, в то время как вытаскиваете вмонтированный адаптер штепсельной вилки 10.
- Вставьте нужный адаптер штепсельной вилки 10 в сетевой прибор 8. Следить за тем, чтобы кнопка разблокировки находилась вверху и зафиксировалась.

## 4. Эксплуатация

---

### 4.1 Включение и выключение



- Для включения устройства переместить переключатель "Вкл/Выкл" в положение I.
- Для выключения устройства переместить переключатель "Вкл/Выкл" в положение 0.

## 4.2 Насадка-гребень



- Выключить машинку для стрижки и надеть насадку-гребень на стригущую головку, чтобы она зафиксировалась.

Затем можно стричь шерсть мелких домашних животных машинкой для стрижки как обычно.



- Можно настроить насадку-гребень на 4 разные длины среза (примерно от 3 до 6 мм). Для этого переместить ее в нужное положение на стригущей головке.

Чем дальше вставляется насадка-гребень, тем короче длина среза.

## 5. Чистка и уход

Для обеспечения безаварийного функционирования и полной мощности машинки для стрижки нужно регулярно чистить устройство и смазывать его маслом.

### Чистка стригущей головки



ВНИМАНИЕ

#### Повреждение стригущей головки в результате демонтажа!

- Ни в коем случае не следует демонтировать стригущую головку, так как обратно смонтировать ее будет уже невозможно.

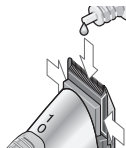
При регулярном использовании необходимо **раз в день** основательно чистить стригущую головку 5.

- Выключить устройство.
- При необходимости, снять насадку-гребень.
- Удалить шерсть с помощью чистящей кисточки 12.



## Смазка стригущей головки маслом

Чтобы как можно дольше сохранить оптимальную режущую способность ножевой головки, ее необходимо регулярно смазывать — **каждые 10 минут**.



- При необходимости, снять насадку-гребень.
- Смажьте маслом те места, где соприкасаются верхняя и нижняя часть стригущей головки. (см. рисунок).

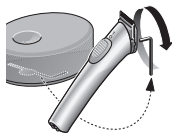
## Замена стригущей головки

Стригущая головка - это быстроизнашивающаяся деталь. Несмотря на хороший уход, режущая способность будет снижаться. В этом случае необходимо заменить стригущую головку. Можно заказать стригущую головку отдельно в виде запасной части в отделе обслуживания клиентов фирмы Aescular (адреса указаны в конце данного руководства).



## Возможность повреждения корп-уса при навинчивании стригущей головки!

- Не затягивайте винт слишком туго.



- Убедитесь в том, что переключатель "Вкл/Выкл" 4 находится в положении 0.
- Извлеките из дна зарядной станции торцовый шестигранный ключ 13, чтобы отвинтить винт 6 стригущей головки.



- Полностью отвинтите винт и извлеките его.
- Подтолкните большим пальцем стригущую головку в направлении вверх.
- Надеть новую стригущую головку, чтобы она зафиксировалась, и привинтить ее.

При замене стригущей головки можно удалить остатки шерсти внутри с помощью кисточки.

#### Чистка устройства

- Время от времени протирать устройство влажной салфеткой, затем вытирать насухо.

#### Чистка зарядных контактов

Если зарядные контакты 7 на машинке или зарядные контакты 3 зарядной станции загрязнены, процесс зарядки может быть прерван или возникнут трудности с зарядкой.

- Почистить контакты ватным шариком или салфеткой, смоченными в алкоголе или спирте.

Когда аккумулятор пустой (остановка двигателя), обязательно переместить переключатель "Вкл/Выкл" в положение 0 и поставить устройство в зарядную станцию.

- Следить за тем, чтобы устройство не было отложено включенным при разряженном аккумуляторе.
- Следить за тем, чтобы устройство было выключено (переключатель "Вкл/Выкл" в положении 0), когда его ставят в зарядную станцию.

## 6. Что делать, если ...

---

### ... устройство не включается?

- Разряжен аккумулятор? Подключить штекерный блок питания зарядной станции и зарядить машинку для стрижки.
- Сухая стригущая головка? Необходимо смазать маслом стригущую головку. Порядок действий описан на странице 145.

### ... стригущая головка "дергается"?

- Необходимо смазать маслом стригущую головку. Порядок действий описан на странице 145.

### ... при зарядке не горит индикатор зарядки?

- Почистить зарядные контакты.
- Возможно, устройство неправильно установлено на зарядной станции. Установить его правильно.
- Правильно ли подключена зарядная станция?

### ... устройство само выключается?

- Разряжен аккумулятор. Зарядить машинку для стрижки.

### ... аккумулятор больше не заряжается?

- Проверить, используется ли подставка для зарядки машинки для стрижки HS60, см. фирменную табличку на подставке для зарядки. Несовместимо с машинкой для стрижки HS62.
- Если нет, отошлите машину в «Aescular» ремонтный сервис.

## 7. Утилизация?



Данный электроприбор имеет стационарный вмонтированный аккумулятор.



Устройство содержит электронные компоненты и / или батареи. Не утилизируйте устройство с бытовыми отходами, а возвращайте его в муниципальный пункт сбора для утилизации.

## 8. Технические характеристики

Изделие	Exacta/Isis
Сетевой адаптер	
Напряжение на входе	100-240 V ~ 50/60 Hz
Громкость	< 60 dB(A)
Общая величина колебаний	ah < 2,5 m/s <sup>2</sup>
Насадка	1 насадка-гребень
Размеры	140 x 30 x 36 mm
Вес	115 g



Мы сохраняем за собой право на внесение технических изменений.

## 9. Гарантия 2 года

---

Уважаемый покупатель,

большое спасибо за то, что Вы выбрали изделие, производимое нашей фирмой.

Марка Aescular уже несколько десятилетий является синонимом проверенного качества и первоклассного обслуживания. Мы предлагаем нашим покупателям инновационное и производительное оборудование. Фирма Aescular производит высококачественные приборы и гарантирует применение высококачественных материалов и точность изготовления. Мы обращаем Ваше внимание на то, что мы не несем ответственность за те недостатки нашей продукции, которые возникают вследствие ненадлежащей эксплуатации, обычного износа, вследствие ненадлежащего использования изделия или использования неподходящей или небезупречно функционирующей продукции других производителей.

К числу деталей, которые обычно подвергаются износу и в связи с этим не охвачены гарантией, относятся аккумулятор и стригущая головка. Также действие гарантии не распространяется на недостатки, которые не формируют или лишь в незначительной степени формируют стоимость изделия и не влияют или почти не влияют на его функционирование.

При наступлении гарантийного случая мы сохраняем за собой право отремонтировать или заменить изделие.

Адреса сервисных центров

Albert Kerbl GmbH  
Felizenzell 9  
84428 Buchbach / Germany

Phone: +49 8086 933-100

Fax: +49 8086 933-500

E-Mail: [info@kerbl.com](mailto:info@kerbl.com)

[www.kerbl.com](http://www.kerbl.com)

Адреса других сервисных центров можно узнать по вышеуказанному адресу.

## Spis treści

1.	Nazwy części .....	153
2.	Bezpieczeństwo .....	153
2.1	Objaśnienie pojęć .....	153
2.2	Użycie zgodne z przeznaczeniem .....	154
2.3	Ważne wskazówki dotyczące ryzyka .....	154
2.4	Ogólne wskazówki bezpieczeństwa .....	156
2.5	Bezpieczeństwo podczas eksploatacji .....	157
3.	Przygotowanie .....	159
3.1	Proces ładowania .....	159
3.2	Chowanie przewodu połączeniowego .....	160
3.3	Wymiana adaptera wtyczki sieciowej .....	161
4.	Obsługa .....	162
4.1	Włączanie i wyłączanie .....	162
4.2	Nasadka grzebieniowa .....	162
5.	Czyszczenie i pielęgnacja .....	162
6.	Co zrobić, gdy .....	165
7.	Usuwanie .....	166
8.	Dane techniczne .....	166
9.	2 lata gwarancji .....	167

## Serdecznie dziękujemy

Za zakup **Exacta/Isis**, nowej maszynki do strzyżenia firmy Aesculap.

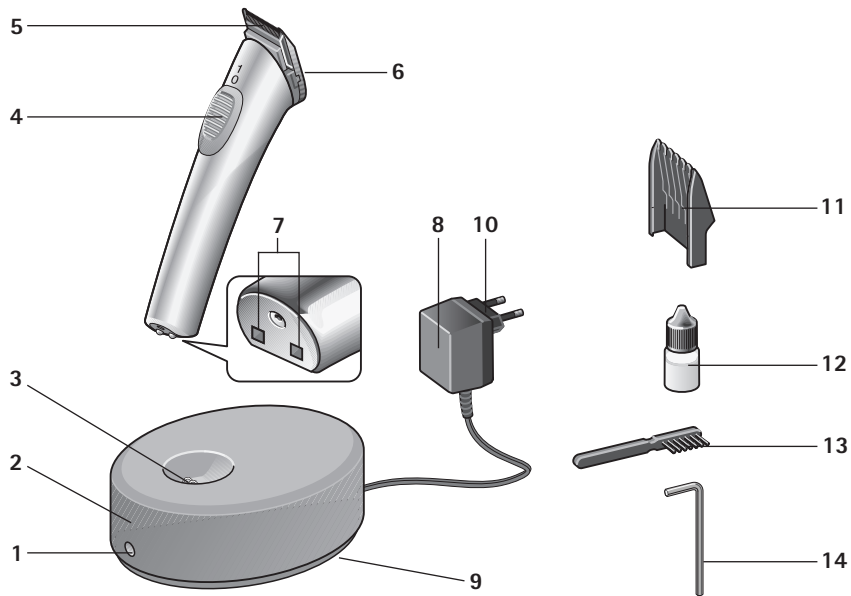
Produkt jest zgodny z aktualnym stanem wiedzy technicznej, posiada innowacyjne rozwiązania i nowoczesny wygląd. Podczas prac nad maszynką do strzyżenia uwzględniono wymagania stawiane urządzeniom do zastosowań profesjonalnych. Maszynka do strzyżenia nadaje się w szczególności do strzyżenia konturów włosów.

Oprócz optymalnej wydajności strzyżenia maszynka Exacta/Isis posiada:

- niewielki ciężar
- cichy silnik o niskim poziomie drgań
- długi tryb pracy akumulatora ze względu na akumulator litowo-jonowy
- 4-stopniową regulację długości strzyżenia za pomocą nasadki grzebieniowej
- schowek na kabel

•yczymy Państwu wiele zadowolenia podczas pracy z wykorzystaniem maszynki do strzyżenia.

Państwa  
Aesculap Suhl GmbH





## 1. Nazwy części

---

- 1 Wskaźnik ładowania
- 2 Stacja ładowania
- 3 Styki ładowania
- 4 Włacznik/wyłacznik
- 5 Głowica strzygąca
- 6 Śruba mocująca głowicy strzygącej
- 7 Styki ładowania urządzenia
- 8 Zasilacz wtyczkowy
- 9 Schowek na kabel
- 10 Adapter wtyczki sieciowej
- 11 Nasadka grzebieniowa
- 12 Butelka z olejem
- 13 Szczoteczka do czyszczenia
- 14 Klucz imbusowy (na spodzie stacji ładowania)

## 2. Bezpieczeństwo

---

Prosimy dokładnie przeczytać instrukcję użycia, w szczególności rozdział „Bezpieczeństwo”, **przed** użyciem maszynki do strzyżenia. Uchroni to Państwa przed ewentualnym niebezpieczeństwem, a urządzenie przed uszkodzeniem na skutek błędów obsługi.

Instrukcję użycia należy przechować w celu późniejszego użycia. Przekazując urządzenie, należy przekazać także instrukcję użycia.

### 2.1 Objaśnienie pojęć

Niniejsza instrukcja użycia zawiera następujące pojęcia:



NIEBEZPIECZENSTWO

**Duże ryzyko. Nieprzestrzeżenie ostrzeżenia może spowodować poważne obrażenia.**



OSTROŻNIE

**Umiarkowane ryzyko. Nieprzestrzeżenie ostrzeżenia może spowodować szkody materialne.**

## WSKAZÓWKA

*Niewielkie ryzyko. Wskazówki, których należy przestrzegać podczas posługiwania się urządzeniem.*

### 2.2 Użycie zgodne z przeznaczeniem

- Maszynka do strzyżenia jest stosowana do strzyżenia sierści małych zwierząt.
- Urządzenie jest przeznaczone tylko do użycia w pomieszczeniach! Nie stosować na wolnym powietrzu (w ogrodzie, na tarasie itp.)!
- Urządzenie zostało opracowane do zastosowań profesjonalnych w salonach pielęgnacyjnych dla zwierząt oraz w gabinetach weterynaryjnych. Możliwe jest także zastosowanie domowe przy przestrzeganiu wskazówek bezpieczeństwa.

### 2.3 Ważne wskazówki dotyczące ryzyka



NIEBEZPIECZEŃSTWO



#### Ryzyko porażenia prądem elektrycznym!

- Urządzenie, stację ładowania i przewód połączeniowy należy trzymać dala od wilgoci, wody i innych cieczy oraz nie należy obsługiwać ich mokrymi rękami
- Urządzenie, stację ładowania i przewód połączeniowy należy trzymać z dala od wilgoci, wody i innych cieczy i nie należy obsługiwać ich mokrymi dłońmi.

- Urządzenia, stacji ładowania i przewodu połączeniowego nie należy zamaczać w wodzie ani płukać pod bieżącą wodą.
- Jeżeli urządzenie wpadnie do wody, nie wolno go używać bezpośrednio po tym zdarzeniu.
- Dodatkową ochronę zapewnia wbudowanie w domowej instalacji elektrycznej **wyłącznika ochronnego prądowego** ze znamionowym prądem wyłączającym o wartości poniżej 30 mA. Zalecamy zabezpieczenie obwodów elektrycznych przez wykwalifikowanego elektryka za pomocą układu ochronnego FI.



**OSTROŻNIE**

Po intensywnym użytkowaniu  
głowica strzygąca może się  
rozgrzać!

**WSKAZÓWKA**

*Maszynkę do strzyżenia włosów wolno użytkować tylko z zasilaczem zgodnym z danymi na tabliczce znamionowej.*



**NIEBEZPIECZEŃSTWO**



Zagrożenie z powodu części, które można połknąć!

Pokrywę butelki z olejem przechowywać z dala od dzieci w wieku do 36 miesięcy.

## 2.4 Ogólne wskazówki bezpieczeństwa




NIEBEZPIECZEŃSTWO

- Urządzenia nie należy nigdy uruchamiać, gdy:
  - urządzenie, stacja ładowania lub przewód połączeniowy jest uszkodzony.
  - głowica strzygąca jest uszkodzona lub nadłamana, ponieważ może to spowodować skaleczenie skóry.
  - urządzenie upadło, posiada widoczne uszkodzenia lub nie jest w pełni sprawne.
  - urządzenie jest uszkodzone w taki sposób, że odsłonięte są części elektryczne.

W każdym z tych przypadków należy odłączyć urządzenie od zasilania i poinformować serwis!

- Sprawdzić, czy napięcie sieciowe jest zgodne z napięciem podanym na tabliczce znamionowej.

- Użytkować urządzenie tylko z oryginalnym zasilaczem.

Jeżeli na urządzeniu znajduje się oznaczenie  T10, można stosować każdy zasilacz modelu T10.

Maszynki do strzyżenia dla zwierząt mogą być używane tylko przez poinstruowane osoby.

- Urządzenie należy przechowywać w miejscu niedostępnym dla dzieci.
- Również materiał opakowaniowy, np. folie, należy trzymać poza zasięgiem dzieci.
- Przewód połączeniowy należy poprowadzić w taki sposób, aby wykluczyć potknięcie lub nastąpienie przez inną osobę!
- Przewód połączeniowy należy chronić przed uszkodzeniami. Nigdy nie należy ciągnąć za przewód połączeniowy. Należy chwycić za zasilacz wtyczkowy podczas wyciągania go z gniazdka. Przewód należy trzymać z dala od gorących powierzchni. Przewód połączeniowy należy regularnie sprawdzać pod kątem uszkodzeń.
- Urządzenie użytkować lub ładować tylko w temperaturze w zakresie 0°C – 40°C.
- Aby uniknąć zagrożenia, naprawy mogą być wykonywane tylko przez autoryzowany serwis Aesculap. Dotyczy to także wymiany akumulatora.
- Głowicy strzygącej nie należy sterylizować.

## 2.5 Bezpieczeństwo podczas eksploatacji



NIEBEZPIECZEŃSTWO

**Nie należy chwycić za głowicę strzygącą ani wkładać rąk do głowicy strzygącej, gdy urządzenie pracuje.**

- Aby zapewnić niezawodną eksploatację, głowicę strzygącą należy regularnie czyścić i oliwić w odpowiednich miejscach (patrz "Czyszczenie i pielęgnacja" na stronie 162.).
- Urządzenie musi być wyłączone podczas:
  - odkładania, np. w celu naładowania, lub krótkotrwałego przerwania procesu strzyżenia.
  - nakładania lub zdejmowania nasadki grzebieniowej.
  - czyszczenia lub olejania.
- Maszynkę do strzyżenia należy stosować tylko razem z oryginalnymi akcesoriami (stacja ładowania, nasadki grzebieniowe itp.).
- Nie należy nigdy usuwać pyłu lub ciał obcych z wnętrza urządzenia ostro zakończonymi przedmiotami (np. grzebieniem ze szpikulcem).

**WSKAZÓWKA**

*Bezpieczeństwo urządzeń elektrycznych Aesculap spełnia uznane zasady techniki oraz wymogi ustawy o bezpieczeństwie urządzeń.*

*Wskaźniki takie jak lampki LED czy IR nie wykraczają poza klasę lasera 1 według IEC 825-1.*

*Zgodnie z aktualnym stanem wiedzy technicznej części urządzeń elektrotechnicznych w pewnym zakresie podlegają zużyciu podczas eksploatacji. Aby zapewnić sprawność techniczną oraz bezpieczeństwo, zalecamy regularny przegląd przez serwis techniczny Aesculap Suhl GmbH.*

**Adres punktu serwisowego**

Albert Kerbl GmbH  
Felizenzell 9  
84428 Buchbach / Germany

Phone: +49 8086 933-100  
Fax: +49 8086 933-500  
E-Mail: [info@kerbl.com](mailto:info@kerbl.com)  
[www.kerbl.com](http://www.kerbl.com)

Adresy pozostałych punktów serwisowych można uzyskać pod powyższym adresem.

## 3. Przygotowanie

### 3.1 Proces ładowania

**Przed pierwszym użyciem urządzenie należy ładować przez 2 godziny.**

Przed podłączeniem maszynki do strzyżenia do gniazdka elektrycznego sprawdzić, czy napięcie sieciowe jest zgodne z napięciem podanym na tabliczce znamionowej. „Przeładowanie” urządzenia jest niemożliwe.

#### WSKAZÓWKA

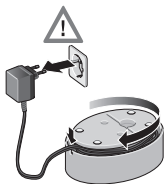
*Jeżeli oprócz nowego modelu maszynki do strzyżenia typu HS62 wykorzystują Państwo także model poprzedni typu HS61, to nowe urządzenie można ładować w starej stacji ładowania (czas ładowania 90 minut) i/lub stare urządzenie typu HS61 w nowej stacji ładowania (czas ładowania 60 minut).*

*Maszynkę do strzyżenia typu HS60 można ładować również w stacji ładowania typu HS62. Nie ma jednak możliwości ładowania typu HS62 w stacji ładowania typu HS60.*



- Włożyć zasilacz wtyczkowy 8 do gniazdka elektrycznego.
  - Ustawić stację ładowania 2 na równej powierzchni.
- Umieścić urządzenie w stacji ładowania. Urządzenie samo się ustawi i naładuje. Zielony wskaźnik ładowania 1 miga zawsze, gdy płynie prąd ładowania. Zwrócić uwagę, aby włącznik/wyłącznik 4 podczas ładowania znajdował się w położeniu 0. Akumulator jest całkowicie naładowany, kiedy zielony wskaźnik ładowania 1 świeci ciągle.

### 3.2 Chowanie przewodu połączeniowego



Jeżeli nie jest potrzebna cała długość przewodu połączeniowego, jego część można schować w schowku **9**.

- Wyciągnąć wtyczkę sieciową z gniazdka.
- Obrócić stację ładowania.
- Owinąć zbędną część przewodu wokół uchwytu na spodzie stacji i wyprowadzić na zewnątrz przewód przez małe wycięcie w obudowie.



### 3.3 Wymiana adaptera wtyczki sieciowej

Urządzenie jest dostarczane z adapterem wtyczki sieciowej **10**.



#### Niebezpieczeństwo z powodu porażenia elektrycznego!

NIEBEZPIECZEŃSTWO

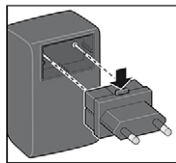
- Stosować wyłącznie oryginalne adaptery wtyczki sieciowej **10**.
- Wyciągnąć zasilacz wtyczkowy **8** z gniazdka przed wymianą adaptera wtyczki sieciowej **10**.
- Upewnić się, że zasilacza wtyczkowego **8** nie można będzie podłączyć podczas czyszczenia.



OSTROŻNIE

#### Uszkodzenie zasilacza wtyczkowego wskutek niewłaściwego użycia!

- Uważać, aby nie wygiąć małych trzpieni na zasilaczu wtyczkowym **8**.



- Wcisnąć przycisk odblokowujący w kierunku strzałki oraz ściągnąć zamontowany adapter wtyczki sieciowej **10**.
- Podłączyć potrzebny adapter wtyczki sieciowej **10** do zasilacza wtyczkowego **8**. Uważać, aby przycisk odblokowujący znalazł się na górze i zatrzasnął się.

## 4. Obsługa

### 4.1 Włączanie i wyłączanie



- Aby włączyć urządzenie, należy przesunąć włącznik/wyłącznik **4** do przodu.
- Aby wyłączyć urządzenie, należy przesunąć włącznik/wyłącznik do położenia **0**.

### 4.2 Nasadka grzebieniowa



- Wyłączyć maszynkę do strzyżenia i nasunąć nasadkę grzebieniową na głowicę strzygącą, aż się zatrzaśnie. Ustawić pożądaną długość cięcia. Następnie można już w zwykły sposób zastosować maszynkę do strzyżenia małych zwierząt.



- Nasadkę grzebieniową można ustawiać na 4 różne długości strzyżenia (od ok. 3 do 6 mm).

Im bardziej wsunięta nasadka grzebieniowa, tym krótsze strzyżenie.

## 5. Czyszczenie i pielęgnacja

Aby zapewnić bezawaryjną pracę i pełną wydajność maszynki do strzyżenia, należy ją regularnie czyścić i oliwić.

### Czyszczenie głowicy strzygącej



**OSTROŻNIE**

**Uszkodzenie głowicy strzygącej w wyniku demontażu!**

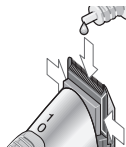
- Nie należy pod żadnym pozorem demontować głowicy strzygącej, ponieważ późniejszy montaż nie jest możliwy.

Przy regularnym stosowaniu głowicę strzygącą **5** należy dokładnie czyścić **raz dziennie**.

- Wyłączyć urządzenie.
- W razie potrzeby zdjąć głowicę strzygącą.
- Usunąć włosy szczoteczką do czyszczenia **12**.

### Oliwienie głowicy strzygącej

Aby na długo zachować wydajność cięcia głowicy strzygącej, należy ją regularnie – **co 10 minut** – oliwić.



- W razie potrzeby zdjąć głowicę strzygącą.
- Naoliwić miejsca, w których stykają się górna i dolna część głowicy strzygącej (patrz ilustracja).

### Wymiana głowicy strzygącej

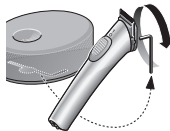
Głowica strzygąca ulega zużyciu. Mimo właściwej pielęgnacji wydajność cięcia zmniejsza się. W takim przypadku należy wymienić głowicę strzygącą. Głowicę strzygącą można zamawiać jako osobną część zamienną w serwisie Aesculap (patrz adresy na końcu instrukcji).



**OSTROŻNIE**

### Uszkodzenie obudowy podczas przykręcania głowicy strzygącej!

- Nie należy zbyt mocno przykręcać śruby.



- Upewnić się, że włącznik/wyłącznik **4** znajduje się w położeniu 0.
- Wyjąć klucz imbusowy **13** ze spodu stacji ładowania, aby odkręcić śrubę **6** głowicy strzygącej.
- Odkręcić śrubę całkowicie i wyjąć.
- Kciukiem wycisnąć głowicę strzygącą w górę.
- Nałożyć nową głowicę strzygącą, aż się zatrzaśnie, i przykręcić ją.



Podczas wymiany głowicy strzygącej pozostałości sierści można usunąć z wnętrza za pomocą szczoteczki.

#### Czyszczenie urządzenia

- Od czasu do czasu urządzenie należy przetrzeć wilgotną ściereczką, a następnie wytrzeć do sucha.

#### Czyszczenie styków ładowania

Gdy styki ładowania **7** w urządzeniu lub styki ładowania **3** w stacji ładowania są zabrudzone, proces ładowania może zostać przerwany lub utrudniony.

- Przeczyścić styki watą lub ściereczką nasączoną alkoholem lub spirytusem.

**Jeżeli akumulator jest pusty (zatrzymanie silnika), należy koniecznie przestawić włącznik/wyłącznik do położenia 0 i umieścić urządzenie w stacji ładowania.**

- Zwrócić uwagę na to, aby nie odkładać włączonego urządzenia, gdy akumulator jest wyładowany.
- Zwrócić uwagę na to, aby do stacji ładowania odkładać wyłączone urządzenie (włącznik/wyłącznik w położeniu 0).

## 6. Co zrobić, gdy ...

---

### ... nie można włączyć urządzenia?

- Czy akumulator jest rozładowany? Podłączyć zasilacz wtyczkowy stacji ładowania i naładować maszynkę do strzyżenia.
- Czy głowica strzygąca jest sucha? Głowicę strzygącą należy naoliwić. Należy postępować zgodnie z opisem na stronie 163.

### ... głowica strzygąca „szarpie”?

- Głowicę strzygącą należy naoliwić. Należy postępować zgodnie z opisem na stronie 163.

### ... podczas ładowania nie świeci się wskaźnik ładowania?

- Oczyszczyć styki ładowania.
- Możliwe, że urządzenie nie jest prawidłowo włożone do stacji ładowania. Włożyć prawidłowo urządzenie.
- Czy stacja ładowania jest prawidłowo podłączona?

### ... urządzenie samo się wyłącza?

- Akumulator jest rozładowany. Naładować maszynkę do strzyżenia.

### ... nie można naładować akumulatora?

- Sprawdzić, czy używana jest stacja ładowania ze stojakiem maszynki do strzyżenia HS60, patrz tabliczka znamionowa na stacji ładowania ze stojakiem. Nie jest ona kompatybilna z maszynką do strzyżenia HS62.
- Seżeli nie, wysłać urządzenie do serwisu naprawczego firmy Aesculap.

## 7. Usuwanie



To urządzenie elektryczne posiada akumulator wbudowany na stałe.



Produkt zawiera komponenty elektroniczne i/lub baterie. Nie utylizować urządzenia z odpadami domowymi, lecz oddawać je do recyklingu w gminnym punkcie zbiórki.

## 8. Dane techniczne

Produkt	Exacta/Isis
Adapter sieciowy	
Napięcie wejściowe	100-240 V ~ 50/60 Hz
Głośność	< 60 dB(A)
Całkowita wartość drgań	ah < 2,5 m/s <sup>2</sup>
Nasadka	1 nasadka grzebieniowa
Wymiary	140 x 30 x 36 mm
Ciężar	115 g



Zmiany techniczne zastrzeżone.

## 9. 2 lata gwarancji

---

Szanowni Klienci,

dziękujemy za wybór produktu naszej firmy.

Marka Aesculap do wielu dziesięcioleci symbolizuje sprawdzoną jakość oraz pierwszorzędną serwis. Naszym Klientom oferujemy innowacyjne i wydajne produkty.

Aesculap wytwarza wysokiej klasy produkty i gwarantuje użycie wysokogatunkowych materiałów oraz staranne wykonanie. Jednocześnie zwracamy uwagę, że nie odpowiadamy za wady fizyczne naszych produktów, jeżeli powstają one w wyniku nieprawidłowego użycia, normalnego zużycia bądź stosowania nieodpowiednich lub niesprawnych produktów obcych producentów.

Do części, które podlegają normalnemu zużyciu i za które nie odpowiadamy, należą akumulator i głowica strzygąca. Z odpowiedzialności producenta wyłączone są także wady fizyczne, które nie wpływają bądź wpływają jedynie nieznacznie na wartość lub działanie produktu.

W ramach naszego świadczenia gwarancyjnego zastrzegamy sobie prawo do naprawy lub wymiany produktu.

### Adresy punktów serwisowych

Albert Kerbl GmbH  
Felizenzell 9  
84428 Buchbach / Germany

Phone: +49 8086 933-100  
Fax: +49 8086 933-500  
E-Mail: [info@kerbl.com](mailto:info@kerbl.com)  
[www.kerbl.com](http://www.kerbl.com)

Adresy pozostałych punktów serwisowych można uzyskać pod powyższym adresem.

## 目次

1.	各部の名称. . . . .	171
2.	安全上のご注意. . . . .	171
2.1	用語の説明. . . . .	171
2.2	目的に従う規定用途. . . . .	172
2.3	重大な危険に関するご注意. . . . .	172
2.4	一般的安全性に関するご注意. . . . .	174
2.5	使用中の安全性. . . . .	175
3.	準備. . . . .	177
3.1	充電方法. . . . .	177
3.2	接続ケーブルの収納. . . . .	178
3.3	電源プラグアダプターの交換 . . . . .	33
4.	操作. . . . .	180
4.1	電源のオン / オフ. . . . .	180
4.2	アタッチメントコーム. . . . .	180
5.	クリーニングとメンテナンス. . . . .	180
6.	困ったときは. . . . .	183
7.	廃棄処分. . . . .	184
8.	技術仕様. . . . .	184
9.	2年メーカー保証. . . . .	185



## お買い上げいただき誠にありがとうございます ございます

Aesculapの新型ヘアカッターExacta/Isisをご購入いただきました。

当製品は最新技術に対応しており、革新的でデザイン指向です。当ヘアカッターの開発中、プロのトリマー用としての必要条件に考慮しました。当ヘアカッターは、特に毛の輪郭を精密に切ることに適しています。

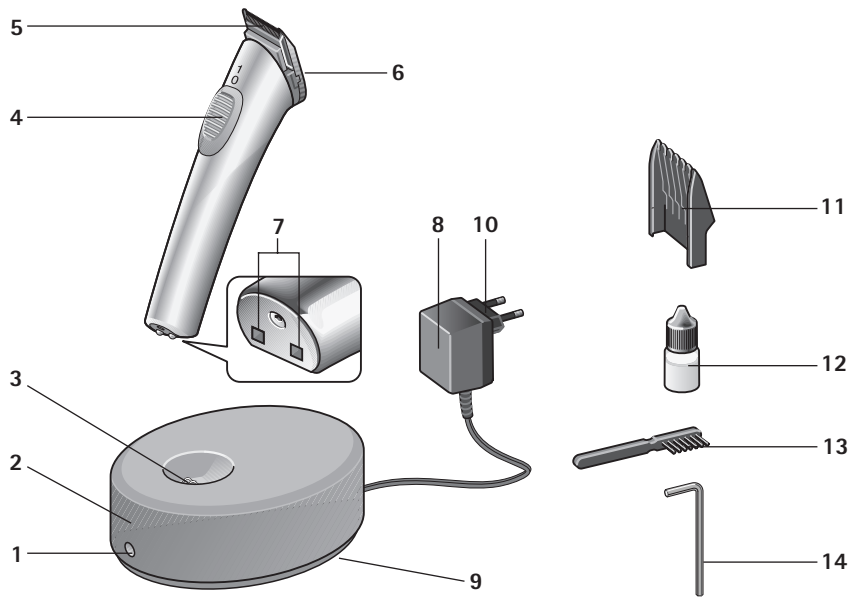
Exacta/Isis が提供するのとは適切な切れ味だけではありません。

- 本体の軽さ
- 低振動で静かなモーター
- リチウムイオンバッテリーによる長時間のバッテリー稼働
- アタッチメントコームで長さ調節可能な4段階カット
- ケーブル収納部

弊社のヘアカッターがお客様のお役に立てば幸いです。

敬具

Aesculap Suhl GmbH



## 1. 各部の名称

- 1 充電表示
- 2 チャージステーション
- 3 充電端子
- 4 オン/オフスイッチ
- 5 シェービングヘッド
- 6 シェービングヘッド固定ネジ
- 7 装置の充電端子
- 8 AC アダプター
- 9 ケーブル収納部
- 10 電源プラグアダプター
- 11 アタッチメントコーム
- 12 オイルボトル
- 13 掃除用ブラシ
- 14 六角レンチ (チャージステーション底部)

## 2. 安全上のご注意

ヘアカッターを使用する**前**に取扱説明書、特に「安全上のご注意」の章を注意深くお読みください。説明書の記載内容に注意し、誤った使用方法により発生するおそれがある危険や本製品の故障などから身を守ってください。

後でまた参照できるように、この取扱説明書は大切に保管してください。当製品を譲渡する場合はこの取扱説明書も本体と共に渡してください。

### 2.1 用語の説明

この取扱説明書には以下の用語が使用されています。



危険

リスク高この警告を無視すると重傷を負うおそれがあります。



警告

リスク中この警告を無視すると物的損害が発生するおそれがあります。

## 注記

リスク低本製品を取り扱う際のご注意。

## 2.2 目的に従う規定用途

- 当ヘアカッターは小動物のヘアークットに使用します。
- 当機は室内利用のみを前提として設計されています！屋外（庭、テラス等）で使用しないでください！
- 当機はグルーミングサロンや獣医師の業務で専門家が使用することを前提に開発されました。安全注記を怠らなければ一般家庭での使用も可能です。

## 2.3 重大な危険に関するご注意



感電の危険があります！

- ▶ バスタブ内、シャワーのかかる場所、中身が入っているシンクおよびその他の容器の上では、本製品の充電や使用を絶対にしないでください。



- ▶ 本製品、チャージステーション、接続ケーブルを水分や水、その他の液体に触れさせず、濡れた手で取り扱わないでください。

- 本製品、チャージステーション、接続ケーブルを水に沈めたり、流水で洗わないでください。
- 本製品を水中に落としてしまった場合、それ以降再び使用することはできません。
- 30mA 以下の定格遮断電流を持つ**漏電遮断器**を建物に取り付けることで、追加の保護機能が提供されます。電気技師に依頼して配線用遮断器で電流回路を保護することをお奨めします。



危険

長時間使用すると、カッターヘッドが熱くなります！



危険



誤飲の危険のある部品！

- オイルボトルの蓋は 36 カ月までのお子様の手の届かないようにしてください。

### 注記

ヘアカッターは銘板に記載の諸元に応じる電源アダプターとのみご使用になれます。

## 2.4 一般的安全性に関するご注意



- ▶ 以下のような場合には本製品を決して使用しないでください。
  - 本体、チャージステーション、または接続ケーブルが破損している場合。
  - シェービングヘッドが破損したり割れたりしている場合。皮膚を傷つけるおそれがあります。
  - 本製品を落としてしまい、目に見える損傷がある場合、または正常に動かない機能がある場合。
  - 本製品に電子部品が露出するほどの損傷がある場合。

いずれの場合にも本製品をすぐに電源から切断し、テクニカルサポートへお問い合わせください。

- ▶ 電源電圧が銘板に記載の規定電圧と一致するかどうか確認してください。

- ▶ 本製品は純正電源アダプターとのみご使用ください。

本製品にマーキングの□cT10があれば本製品モデル T10 のどの電源アダプターでもご使用になれます。

動物用ヘアーカッターは、指導を受けた人のみで使用できます。

- ▶ 本製品を子供の手の届かない所に保管してください。
- ▶ 同様に、ホイルなどの包装材もお子様の手の届かない場所に保管してください。
- ▶ 接続ケーブルは人がつまずいたり踏んだりしないように配置してください。
- ▶ 接続ケーブルが損傷しないように保護してください。接続ケーブルは絶対に引っ張らないでください。接続ケーブルをコンセントから引き抜く時はACアダプターを掴んでください。ケーブルを表面温度が高い場所に近づけないでください。接続ケーブルの損傷を定期点検してください。
- ▶ 本製品は0℃～40℃で使用及び充電することができます。
- ▶ 危険を避けるため、修理はAesculapの認定カスタマーサービスへご依頼ください。バッテリーの交換についても同様です。
- ▶ シェービングヘッドを分解することはできません。

## 2.5 使用中の安全性



危険

電源が入っている時は、シェービングヘッドの中および近くを掴まないでください。

- 正常な機能を保てるよう、シェービングヘッドを定期的にクリーニングし、適切な場所にオイルを塗る必要があります (siehe "クリーニングとメンテナンス" auf Seite 180)。
- 以下の場合、本体の電源を切っておく必要があります：
  - 充電したり、ヘアーカット作業を少しの間中断したりする場合など、本体を手放して置く場合。
  - アタッチメントコームの取り付け、または取り外しを行う場合。
  - 本体を清掃したりオイルを塗ったりする場合。
- ▶ 当ヘアーカッターには必ず専用アクセサリ (チャージステーション、アタッチメントコーム等) を併用してください。

- ▶ 本体内部から埃やごみを決して先の尖ったもの（例えばテールコームなど）で取り除こうとしないでください。

注記

新型 HS62 と旧型のヘアカッター HS61 を併用する場合、新型機を旧型のチャージステーションで充電（充電時間 90 分）することも、旧型機 HS61 を新型のチャージステーションで充電（充電時間 60 分）することもできます。

ヘアカッター（タイプ HS60）は、タイプ HS62 のチャージステーションタイプでも充電できます。但し、型式 HS62 は HS60 用チャージステーションで充電することはできません。

サービス拠点

Albert Kerbl GmbH  
Felizenzell 9  
84428 Buchbach、ドイツ

Phone: +49 8086 933-100  
Fax: +49 8086 933-500  
メールアドレス: info@kerbl.com  
www.kerbl.com

その他のサービス拠点については上記の住所までお問い合わせください。



## 3. 準備

### 3.1 充電方法

初めて使用する場合は、使用前に本体を2時間充電してください。

ヘアカッターをコンセントに接続する前に、電源電圧が銘板上で指定されている電圧と一致するかどうか確認してください。

本製品を「過充電」することはできません。

#### 注記

新型HS62と旧型のヘアカッターHS61を併用する場合、新型機を旧型のチャージステーションで充電（充電時間90分）することも、旧型機HS61を新型のチャージステーションで充電（充電時間60分）することもできます。

ヘアカッター（タイプHS60）は、タイプHS62のチャージステーションタイプでも充電できます。但し、型式HS62はHS60用チャージステーションで充電することはできません。



- ▶ ACアダプター8をコンセントに差し込みます。
  - ▶ チャージステーション2を平らな面に置きます。
- ▶ 本機をチャージステーションにセットします。本体が自動的に正しい位置に固定され、充電されます。緑の充電表示1は充電電流が流れているときは必ず点滅します。充電時に本機のオンオフスイッチ4が0の側にあることを確認してください。緑の充電表示1が連続点灯に変わったらバッテリーはフル充電されました。

### 3.2 接続ケーブルの収納



ケーブルの全長が必要ない場合は接続ケーブルの一部をケーブル収納部 9 に収納することができます。

- ▶ 電源プラグをコンセントから引き抜きます。
- ▶ チャージステーションを裏返します。
- ▶ 余分なケーブルを底部の留め具に巻き付け、本体内部の小さな穴からケーブルを外に出します。

### 3.3 電源プラグアダプターの交換

製品には、電源プラグアダプター 10 が付属しています。



危険

感電の危険！

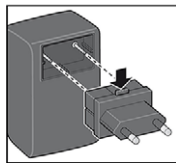
- ▶ 純正電源プラグアダプター 10 のみご使用ください。
- ▶ AC アダプター 8 をコンセントから抜いてから、電源プラグアダプター 10 を交換してください。
- ▶ 掃除中に AC アダプター 8 を再度コンセントに差し込まないようご注意ください。



警告

不正使用すると AC アダプターが損傷します！

- ▶ AC アダプター 8 の極を覆わないようご注意ください。



- ▶ 電源プラグアダプター 10 を引き抜く間、ロック解除ボタンを矢印方向に押し込みます。
- ▶ 必要な電源プラグアダプター 10 を AC アダプター 8 に差し込みます。ロック解除ボタンが上部にあり、所定の位置にロックされていることを確認してください。

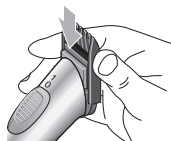
## 4. 操作

### 4.1 電源のオン/オフ



- ▶ 本体の電源を入れるには、オン/オフスイッチ 4 を前にスライドさせます。
- ▶ 本体の電源を切るには、オン/オフスイッチを 0 の位置にスライドさせます。

### 4.2 アタッチメントコーム



- ▶ ヘアークッターの電源を切り、うまくかみ合うまでアタッチメントコームをシェービングヘッドに押し込みます。
- 次にヘアークッターで小動物の毛をいつも通りカットすることができます。



- ▶ アタッチメントコームを使って4つの異なる刈り高さを設定することが出来ます(約3~6mm)。刈り高さを設定するにはアタッチメントコームをシェービングヘッド上で希望の位置にスライドさせます。

アタッチメントコームを押し込むほど刈り高さは短くなります。

## 5. クリーニングとメンテナンス

お使いのヘアークッターの適切な機能と最高の効率を保つため、定期的に機器をクリーニングしてオイルを塗ってください。

## シェービングヘッドのクリーニング



警告

シェービングヘッドを分解すると壊れます！

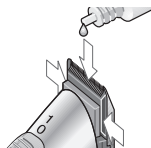
- シェービングヘッドを絶対に分解しないでください。一度分解してしまうと、再度組み立てることはもうできません。

ヘアカッターを定期的に使用する場合は、**毎日一度**シェービングヘッド**5**をよくきれいに清掃してください。

- 本体の電源を切ります。
- Nehmen Sie ggf. den Kammaufsatz ab.
- 毛を掃除用ブラシ**13**で取り除きます。

## シェービングヘッドの注油

切れ味の良さをできるだけ長く維持するため、シェービングヘッドには定期的に、**- 10分おきに**  
- オイルを塗る必要があります。



- 必要に応じてアタッチメントコームを取り外してください。
- シェービングヘッドの上下の接触部にオイルを塗ります (図参照)。

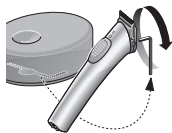
## シェービングヘッドの交換

シェービングヘッドは消耗品です。きちんとお手入れをしても切れ味は悪くなっていきます。切れ味が悪くなってきたらシェービングヘッドを交換してください。シェービングヘッドは交換用部品として Aesculap カスタマーサービスに個別に注文することが出来ます (お問い合わせ先は当取扱説明書の巻末に記載されています)。



シェービングヘッドをねじ固定すると本体が損傷します！

- ▶ ネジをきつく締めすぎないでください。



- ▶ オン/オフスイッチ**4**が**0**の位置にあるか確認してください。
- ▶ チャージステーションの底から六角レンチ**14**を取り外し、シェービングヘッドのネジ**6**を緩めてください。



- ▶ ネジを完全に緩めてシェービングヘッドを取り外します。
- ▶ 親指でシェービングヘッドを上へ押し出します。
- ▶ 新しいシェービングヘッドをうまくかみ合うように取り付け、ネジ止めします。

シェービングヘッドを交換する際、内部に残っている毛を掃除用ブラシで取り除くことができます。

### 本体のクリーニング

- ▶ 時々本体を湿らせた布で拭き、その後水分を拭き取って乾燥させてください。

### 充電端子のクリーニング

本体の充電端子**7**またはチャージステーションの充電端子**3**が汚れている場合、充電が中断されたり、妨げられたりするおそれがあります。

- ▶ アルコールやエタノールに浸した綿棒や布で端子をクリーニングしてください。

バッテリーが空（モーターが停止）になったらオン/オフスイッチを必ず**0**にセットし、本体をチャージステーションにセットします。

- ▶ バッテリーが空の状態でもオン/オフスイッチを入れたままにしないようご注意ください。
- ▶ チャージステーションにセットしている時は本体の電源が切れているか（オン/オフスイッチが**0**になっているか）確認してください。

## 6. 困ったときは

### … 本体の電源が入りませんか？

- ▶ バッテリーが空ではありませんか？チャージステーションをACアダプターに接続し、ヘアーカッターを充電します。
- ▶ シェービングヘッドが乾燥していませんか？シェービングヘッドにオイルを塗る必要があります。ページ 181 に記載されている手順を行ってください。

### … シェービングヘッドに毛が引っかかりますか？

- ▶ シェービングヘッドにオイルを塗る必要があります。ページ 181 に記載されている手順を行ってください。

### … 充電中に充電表示が点灯しません。

- ▶ 充電端子をクリーニングしてください。
- ▶ 本体がチャージステーションに正しくセットされていない可能性があります。正しい位置にセットし直してください。
- ▶ チャージステーションが正しく接続されていますか？

### … 本体の電源が自然に切れますか？

- ▶ バッテリーが空です。ヘアーカッターを充電してください。

### … バッテリーがもう充電できませんか？

- ▶ 使用しているのはヘアーカッター HS60 のチャージスタンドであるかどうかを、チャージスタンドの銘板を見て確認してください。これはヘアーカッター HS62 と互換性はありません。
- ▶ Aesculap まで装置をお送りください。カスタマーサービスが新しいバッテリーを組み込み、使用済みのバッテリーは環境にやさしい方法で廃棄致します。

## 7. 廃棄処分



この電気機器には固定で充電池が内蔵されています。

Li Ion



本製品は電子部品や電池を搭載しています。本製品を一般家庭ごみといっしょに廃棄せず、地元の収集所へリサイクルに回してください。

## 8. 技術仕様

製品名	Exacta/Isis
電源アダプター 入力電圧	100-240 V ~ 50/60 Hz
放出音圧レベル	< 60 dB(A)
振動合成値	ah < 2.5 m/s <sup>2</sup>
アタッチメント	1 アタッチメントコーム
寸法	140 x 30 x 36 mm
重量	115 g



技術的変更は予告なく行われます。



## 9. 2年メーカー保証

お客様へ

弊社製品のお買い上げ心からお礼申し上げます。  
弊社の名前である Aesculap (エスキュラップ) は数十年以来検査合格保証および最高品質のサービスで知られています。お客様に革新的で高性能な製品をお届けしています。

Aesculap は高品質機器を生産しており、お客様のために高級素材の使用ならびに入念な加工品質を確実にしています。弊社の製品の瑕疵について、不適切な使用、通常の摩耗・摩損または、製品の誤った使用方法、および不適格で正常に機能しない他社製品の使用を原因として生じた故障については製品保証を致しておりませんので、ご注意ください。

通常劣化が避けられないため、弊社が保証対象外としている部品はバッテリーおよびシェービングヘッドです。同様に、価値または機能に影響しないかまたは軽微な影響しか与えない瑕疵も保証対象外です。

保証の範囲で賠償責任を負う場合には、製品を修理または交換するかを弊社の裁量によって決めさせていただきます。

サービス拠点

Albert Kerbl GmbH  
Felizenzell 9  
84428 Buchbach、ドイツ

Phone: +49 8086 933-100  
Fax: +49 8086 933-500  
メールアドレス: info@kerbl.com  
www.kerbl.com

その他のサービス拠点については上記の住所までお問い合わせください。

## 目錄

1.	零件名稱 . . . . .	189
2.	安全性 . . . . .	189
2.1	術語解釋 . . . . .	189
2.2	合規使用 . . . . .	190
2.3	重要的危險提示 . . . . .	190
2.4	一般安全提示 . . . . .	191
2.5	執行時之安全性 . . . . .	192
3.	準備 . . . . .	193
3.1	充電過程 . . . . .	193
3.2	碼放連接電纜 . . . . .	194
3.3	作業 . . . . .	177
4.	作業 . . . . .	195
4.1	接通和斷開 . . . . .	195
4.2	梳齒刀套 . . . . .	195
5.	清洗和維護 . . . . .	196
6.	若 . . . , 如何辦 . . . . .	198
7.	報廢處理 . . . . .	199
8.	技術參數 . . . . .	199
9.	2 年保修期 . . . . .	200

## 衷心感謝

您購買了 **Exacta/Isis**, Aesculap 之新款剪毛機。它符合最先進之技術水準，具有創新性並特別注重設計。在研發這款剪毛機時考量到了專業修剪器之要求。這款剪毛機特別適合精確剪切毛髮外形。

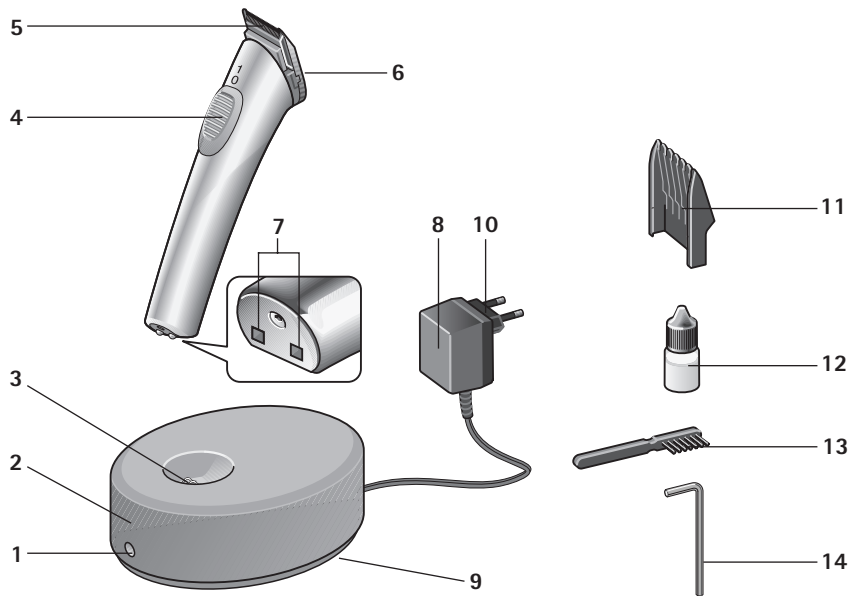
除最佳切割性能外，Exacta/Isis 還具有下列優點：

- 輕便
- 發動機無震動和噪音
- 鋰離子電池，使用壽命長
- 帶梳齒的 4 級切割長度調節裝置
- 電纜架

希望我方剃毛機為您帶去卓越的使用體驗。

Aesculap Suhl GmbH

敬上



## 1. 零件名稱

- 1 充電指示燈
- 2 充電站
- 3 充電觸點
- 4 開啓 / 關閉開關
- 5 切割頭
- 6 切割頭固定螺栓
- 7 裝置充電觸點
- 8 插頭電源
- 9 電纜卷回處
- 10 插入式適配器
- 11 梳齒刀套
- 12 潤滑油瓶
- 13 清洗刷
- 14 內六角扳手（在充電站底座）

## 2. 安全性

在您使用本剪切機前，請您仔細閱讀使用說明書，特別是「安全性」章節。這樣可以避免由於不當作業造成之潛在危險和對裝置之損壞。

請您儲存好使用說明書以備日後使用。若將裝置轉交給他人，請將本使用說明書一併轉交。

### 2.1 術語解釋

本使用說明書使用了以下術語：



**危險**

高風險。忽視警報可能造成嚴重傷害。



**警告**

中等程度風險。忽視警報可能造成財產損失。

提示

低風險您在使用裝置時需注意之提示。

## 2.2 合規使用

- 本 剃毛機 適於剃剪小型動物的毛髮
- 本裝置僅為室內使用而設計！切勿在室外（花園，陽臺等）使用！
- 本裝置專為寵物美容和動物診所之使用而研發。遵守安全提示之前提下，也可以在家使用。

## 2.3 重要的危險提示



有電擊危險！

- 切勿將本裝置置於浴缸，淋浴中，裝滿水之盥洗盆 / 其他容器上充電或使用。



- 使用本設備、充電座和連接電纜時須防濕、防水和防其他液體，不得在手潮濕的情況下進行操作。

- 請勿將使用本設備、充電座和連接電纜浸入水中或使用流水沖洗。
- 若裝置落入水中就不能用了。
- 此外，透過在您的家庭用電系統中安裝剩餘電流防護裝置，帶有不高於 30 mA 之額定斷開電流，而提供額外防護。我們建議您讓電氣專業人員安裝 FI 防護電路，以確保電路之安全。



警告

長時間使用後，剃鬚刀頭可能會發燙！

提示

該理髮器僅可使用與銘牌說明一致的電源。



危險

誤吞零件存在危險！

- 請防止小於 36 月齡之兒童觸碰油瓶蓋。



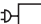
## 2.4 一般安全提示



危險

- 切勿使用本裝置，若：
  - 本設備、充電座或連接電纜損壞
  - 切割頭受損或折斷，因為可能損傷皮膚。
  - 裝置跌落，有明顯之損壞或功能受限。
  - 裝置損壞太嚴重了，以至於電子部件都露出來了。

出現上述任何一種情形應即刻切斷裝置電源並告知技術售後服務處！

- 請您檢查電源電壓是否和銘牌上規定之電壓相符。
  - 產品只能使用原廠電源。
- 如有產品具有  T10 標記，則可使用任意一個 T10 型電源。

僅允許由受過指導的人員使用本動物剃毛機。

- 請將裝置儲存在兒童無法觸及之處。
- 同樣，也要使兒童遠離包裝材質，例如：金屬箔。
- 敷設連接電纜時須確保電纜不會絆倒他人或被人踩踏！
- 保護連接電纜免遭損壞。切勿拉扯連接電纜。將電源適配器從插座中拔出時請握住電源適配器使力。電纜須遠離高溫表面。定期檢查連接電纜是否有損壞。
- 僅在 0°C-40°C 溫度範圍內使用本設備或為其充電。
- 爲了避免危險，僅允許由授權之 Aesculap 客戶服務部進行維修。這也需要更換蓄電池。
- 若本裝置之聯結導線損壞，必須由製造廠商或顧客服務處或類似資曆人員更換，以避免危險。
- 養和更換零件時，須斷開產品電源。
- 不得拆分切割頭。

## 2.5 執行時之安全性



危險

裝置接通時，切勿伸進或抓住切割頭。

- 爲了無故障地執行，必須定期清洗切割頭並爲相應位置潤滑（siehe " 清洗和維護 " auf Seite 196）。
- 必須關閉裝置，若：
  - 從手中放下裝置，例如：去充電或短暫中斷剪切過程。
  - 插入或取下梳齒刀套。
  - 清洗或潤滑裝置。
- 請爲本剪毛機配用原廠配件（充電站，梳齒刀套等）。
- 切勿用尖銳物體（例如：梳子手柄）清除裝置內部之灰塵或異物。



## 提示

Aesculap 電氣裝置之安全性符合已知之技術規則和裝置安全法。

照明指示燈，例如：LED 指示燈或 IR 指示燈，依照 IEC 825-1 標準未超過鐳射級別 1。

依照目前之技術標準，電氣技術裝置之部件使用一段時間後會出現磨損。為了確保完好之功能和安全性，我們建議由 Aesculap Suhl GmbH 之技術售後服務部定期進行檢查。

### 售後服務地址

Albert Kerbl GmbH  
Felizenzell 9  
84428 Buchbach / Germany

Phone: +49 8086 933-100  
Fax: +49 8086 933-500  
E-Mail: info@kerbl.com  
www.kerbl.com

可以從上述地址中獲得其它服務部門之地址。

## 3. 準備

### 3.1 充電過程

首次使用前，設備應充電 2 小時。

當您將剪毛機聯結至插座前，請您確定電源電壓與銘牌上規定之電壓相符。

### 提示

如果除新款 HS62 剃毛機以外，您還使用舊款剃毛機 HS61，您可以使用舊充電座為新版設備充電（充電時間為 90 分鐘）和/或使用新充電座為 HS61 舊版設備充電（充電時間為 60 分鐘）。

也可以使用 HS62 的充電座為 HS60 型號的剃毛機充電。但不得使用 HS60 型號的充電座為 HS62 型號的設備充電。



- 請您將插頭電源 8 插入插座。
  - 請將充電站 2 置於一個平整之表面。
- 將設備插在充電座內：將自動定位並充電。當有電流流入時，綠色的充電指示燈 1 長時間閃爍。充電時，請確保將開關 4 設為 0。綠色充電指示燈 1 長亮則表明電池充滿電。

### 3.2 碼放連接電纜



- 如果您不需要用到電纜的全長，則可以將部分連接電纜存放在電纜存儲器 9 中。
- 拔下電源插頭。
  - 使充電站上下顛倒。
  - 然後將多餘之電纜圍繞底座盤繞並透過外殼上之一個小孔將電纜穿出。

### 3.3 更換插入式適配器

設備交付時隨附有插入式適配器 10。



**危險**

電擊存在危險！

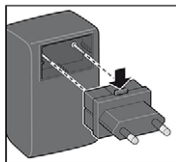
- 請僅使用原裝插入式適配器 10。
- 在更換插入式適配器 10 前，請將插入式電源裝置 8 從插座中抽出。
- 請確保在清潔期間，插入式電源裝置 8 未被重新插入。



**警告**

錯誤使用將導致插入式電源裝置損壞！

- 請注意，插入式電源裝置 8 上的小引腳不得彎折。



- 沿箭頭方向按下解鎖鍵，同時抽出插入式適配器 10。
- 將所需的插入式適配器 10 插入插入式電源裝置 8 內。請注意解鎖鍵位於上部且已卡入。

## 4. 作業

### 4.1 接通和斷開



- 為了接通裝置，請將開啟 / 關閉開關 4 向前推。
- 為了斷開裝置，請將開啟 / 關閉開關推至 0 位。

### 4.2 梳齒刀套



- 請您關閉剪毛機並將梳齒刀套推至切割頭處，直到聽到齒合。

然後您就可以像往常一樣用剪毛機剪切小動物毛髮了。



- 梳齒刀套有 4 個不同之剪切長度（約 3 至 6 mm）可供設定。您可以將其推至切割頭，直至所需位置。

梳齒刀套向前推得越長，剪切長度就越短。

## 5. 清洗和維護

爲了確保剪毛機之完好功能和全部性能，定期清洗和潤滑裝置。

### 清洗切割頭



由拆卸造成切割頭損壞！

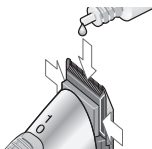
- 任何情形下不得拆卸切割頭，因為拆卸後無法安裝。

若需定期使用，應將切割頭 5 每天一次徹底清洗。

- 關閉裝置。
- 若有必要取下梳齒刀套。
- 用清洗刷 12 清除毛髮。

### 潤滑切割頭

爲了盡可能長時間地保持刮胡刀的切割效率，必須定期 — 每隔 10 分鐘 — 將刮胡刀塗油。



- 若有必要取下梳齒刀套。
- 請潤滑切割頭上下部件可以接觸到之處（參見圖示）。

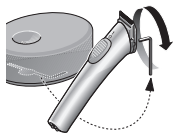
### 更換切割頭

切割頭是磨損件。儘管好好維護，剪切效率還是在降低。這時需更換切割頭。切割頭可作爲單獨備件在 Aesculap 客戶服務部訂購（地址在本手冊最後）。



旋緊切割頭時外殼損壞！

- 切勿將螺釘擰之太緊。



- 請確保，開啟 / 關閉開關 4 位於 0 位。
- 請您將內六角扳手 13 從充電站底座取出並將切割頭之螺釘 6 擰松。
- 完全擰松並取下螺釘。
- 用拇指將切割頭向上壓。
- 放入新的切割頭，直到聽到齒合併旋緊它。



更換切割頭時，可用刷子清除內部之殘餘毛髮。

清洗裝置

- 偶爾用潮濕之抹布擦拭您的裝置，然後擦乾。

清洗充電觸點

若裝置充電觸點 7 或充電站之充電觸點 3 受汗，那麼充電過程可能中止或受到阻礙。

- 請您使用浸在酒精或提純酒精中之棉花球或抹布清洗觸點。

若蓄電池沒電了（電機停止執行），一定要將開啓 / 關閉開關切換至 0 位元，然後將裝置放入充電站。

- 請注意，當蓄電池沒電時，切勿將裝置接通放置。
- 請注意，當您將裝置放入充電站時，裝置已關閉（開啓 / 關閉開關位於 0 位元）。

## 6. 若 ..., 如何辦

---

### ... 裝置無法開啓？

- 蓄電池沒電了？請您聯結充電站之插頭電源並為剪毛機充電。
- 切割頭有點幹？切割頭需要潤滑了。請您依說明 Seite 196 作業。

### ... 切割頭「揪毛」？

- 切割頭需要潤滑了。請您依說明 Seite 196 作業。

### ... 充電時充電指示燈不亮？

- 清洗充電接頭。
- 裝置未在充電站上放好。請將其放置好。
- 充電站正確聯結了嗎？

### ... 裝置自行切斷？

- 蓄電池沒電了。請為剪毛機充電。

### ... 如果電池無法充電？

- 檢查是否使用了 HS60 剃毛機的充電座，參見充電座上的銘牌。該充電座與 HS62 剃毛機不兼容。
- 否則請將機器寄回 Aesculap 維修部。

## 7. 報廢處理



該電器設備具有固定安裝的蓄電池。



該產品包含電子元件和/或電池。  
請勿將本設備與生活垃圾一同丟棄，而應將其送回市政收集點進行回收。

## 8. 技術參數

產品	Exacta/Isis
電源適配器 輸入端電壓	100-240 V ~ 50/60 Hz
音量	< 60 dB(A)
振動總數值	ah < 2.5 m/s <sup>2</sup>
套管	1 個梳齒刀套
規格	140 x 30 x 36 mm
重量	115 g



保留技術變更之權利

## 9. 2 年保修期

---

尊敬的客戶，

衷心感謝您選擇我們的產品。

Aesculap 銘牌幾十年來都代表著歷經考驗之品質和一流之服務。我們為我們的客戶提供創新和高效之產品。

Aesculap 生產高品質之裝置並向您確保，我們使用高品質之材質和採用精細之做工。友情提示，由於不當使用，正常損耗或由於不當使用產品或使用不合適及有缺陷功能之其他產品造成之產品缺陷，我們不承擔責任。

典型之磨損件和我們不擔保之部件包括電池和切割頭。除了未造成影響或只是微小影響之部件或功能之缺陷。

我們保留在保修期內修理或更換產品之責任。



## 售後服務地址

Aesculap Suhl GmbH  
Fröhliche-Mann-Straße 15  
98528 Suhl / 德國

電話：+49 3681 49820  
傳真：+49 3681 498234  
電子信件：suhl@aesculap.de  
www.aesculap-schermaschinen.de

可以從上述地址中獲得其它服務部門之地址。



Technical alterations reserved  
Technische Änderungen vorbehalten  
Sous réserve de modifications techniques  
Sujeto a modificaciones técnicas  
Con riserva di modifiche tecniche  
Technische wijzigingen voorbehouden  
Med reservation för eventuella tekniska ändringar  
Мы оставляем за собой право вносить технические изменения  
Zmiany techniczne zastrzeżone  
技術的理由により、内容に変更を加える場合があります  
保留技术变动的权力

TA015507

2019-07

Change No. 61066

**B | BRAUN**  
SHARING EXPERTISE

**Aesculap Suhl GmbH**  
Fröhliche-Mann-Straße 15  
98528 Suhl  
Germany

Phone: +49 3681 49820  
Fax: +49 3681 498234  
E-Mail: [suhl@aesculap.de](mailto:suhl@aesculap.de)  
[www.aesculap-schermaschinen.de](http://www.aesculap-schermaschinen.de)